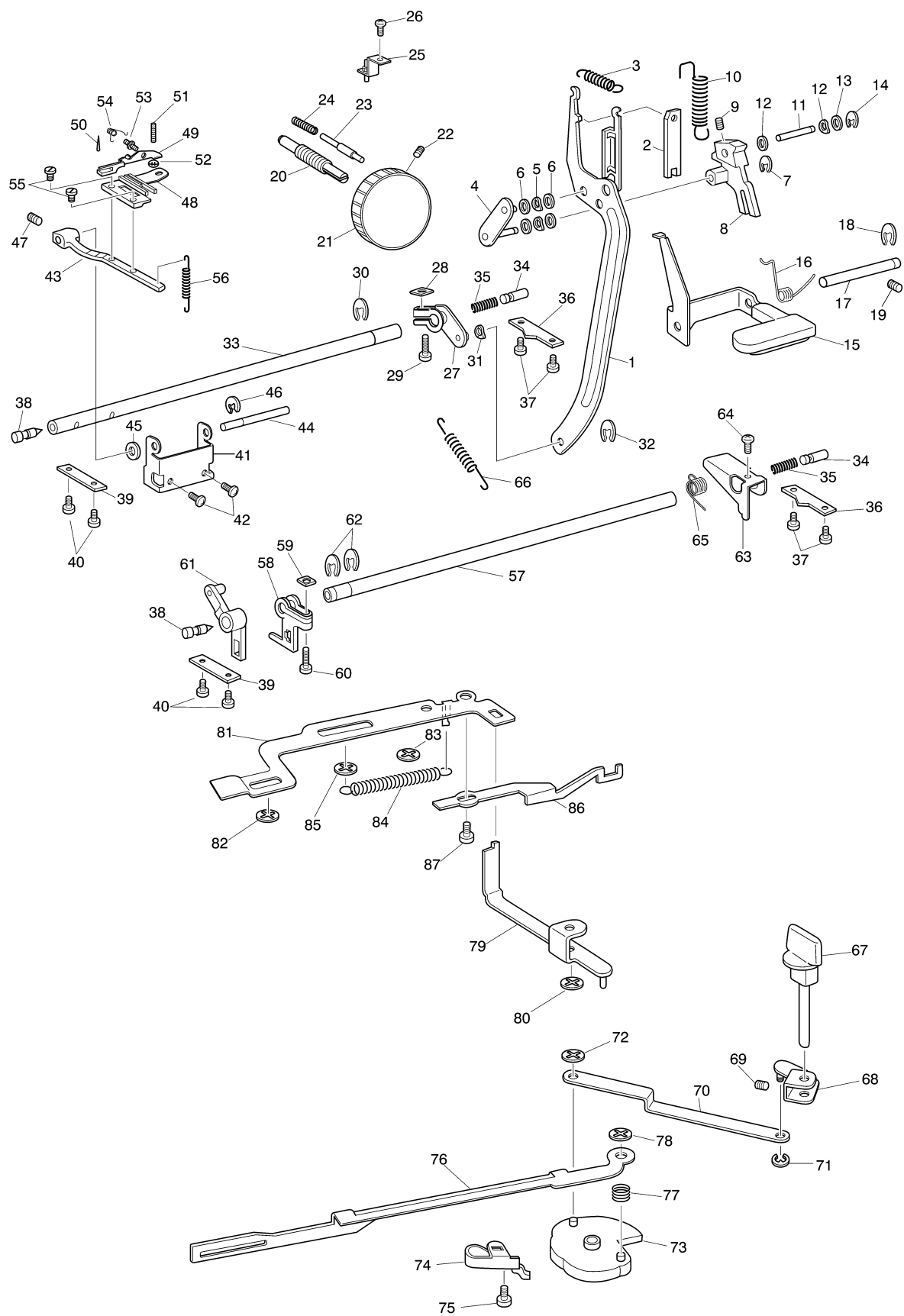


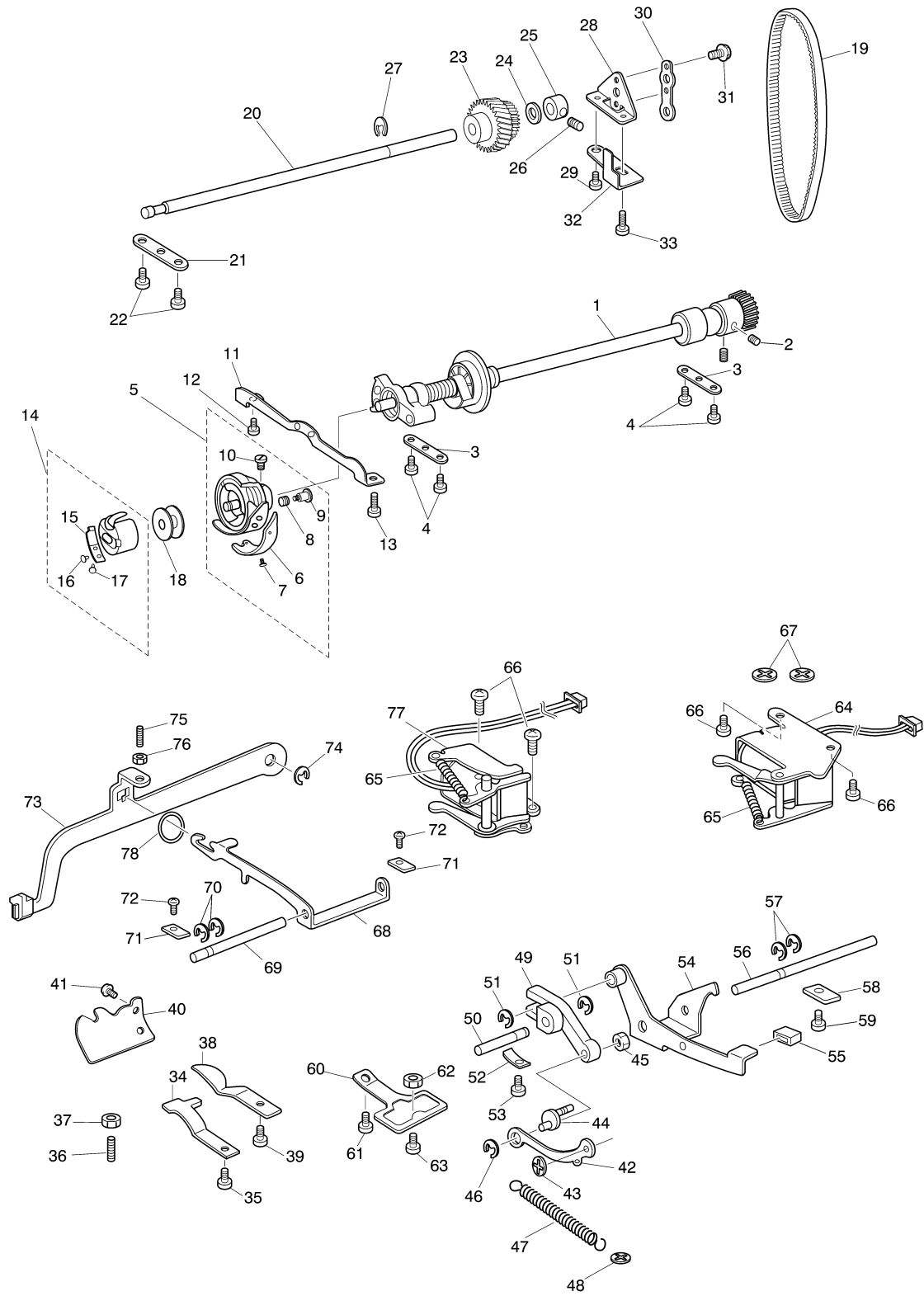
PARTS CATALOGUE FOR SEWING MACHINE

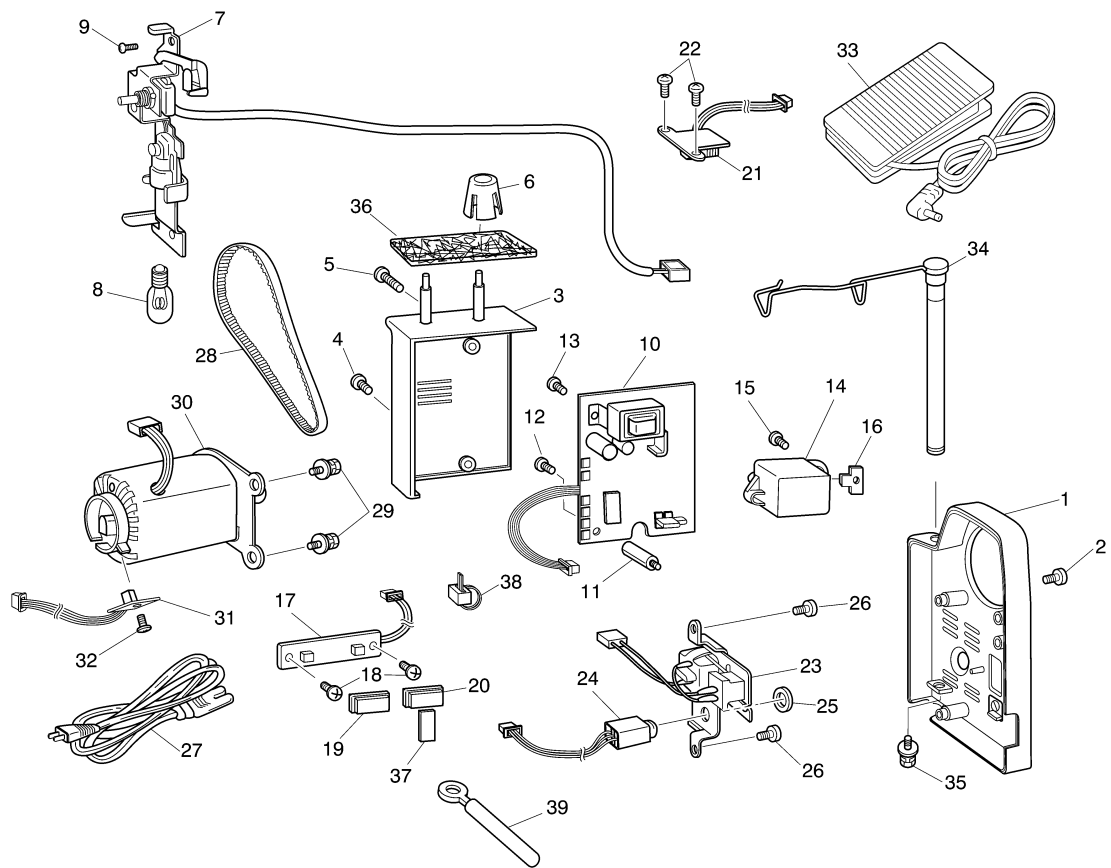
VX-807 / VX-810

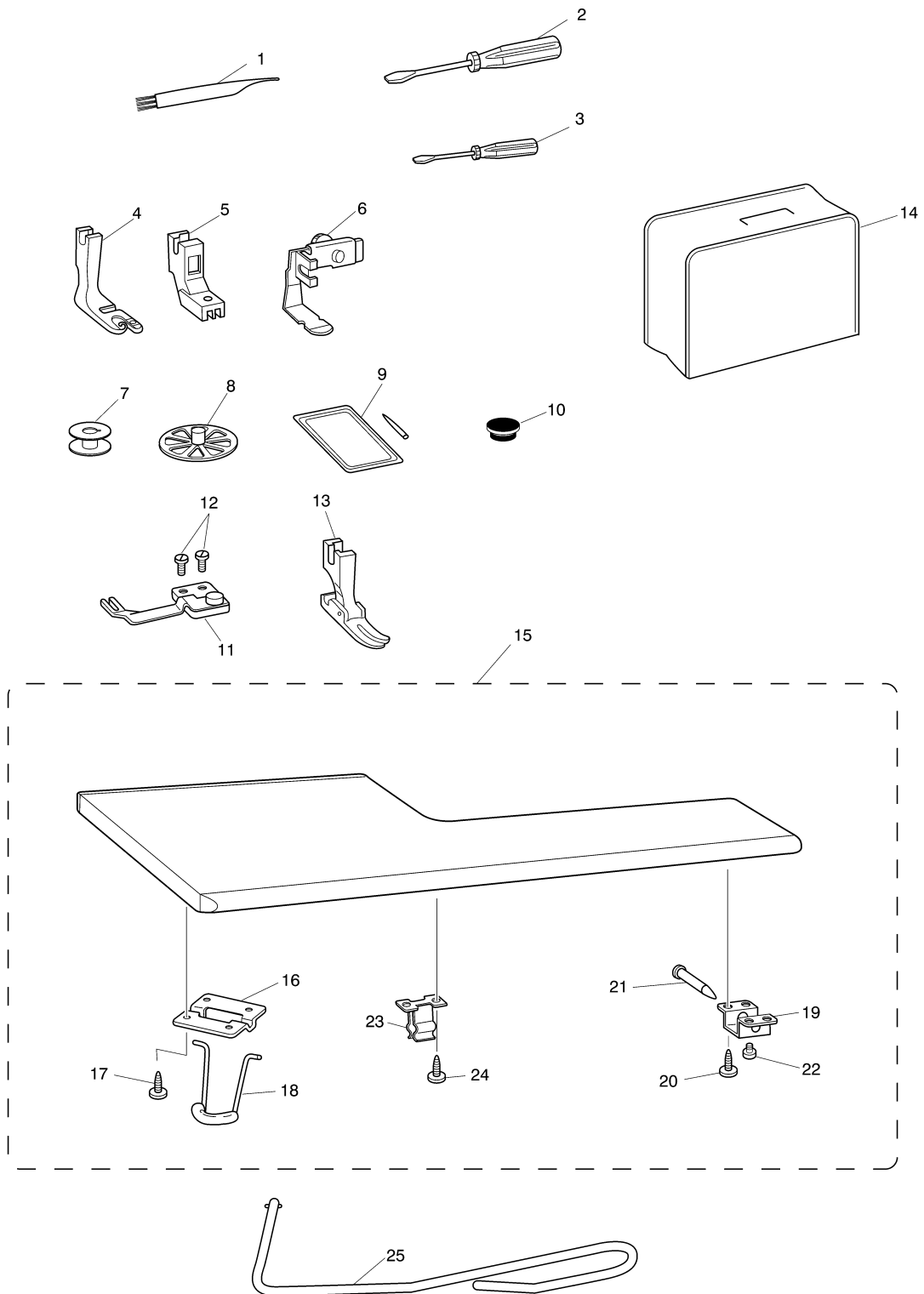
No.	CODE	NAME	REMARKS	No.	CODE	NAME	REMARKS
1	XA0751051	Feed rod ASSY		45	X50546000	Washer	
2	XA0755051	Feed rod supporting plate		46	048040346	Retaining ring, E4	
3	XA2178001	Spring		47	014500632	Set screw, Socket(CP)M5x6	
4	XA0757051	Feed link ASSY		48	XA0791001	Feed dog	
5	XA0889001	Washer, wave spring		49	XA0792001	Lower needle arm ASSY	
6	X50546000	Washer		50	136062001	Lower needle	
7	048050346	Retaining ring, E5		51	136063001	Lower needle adjusting screw	
8	XA1658150	Feed adjusting ASSY		52	405077001	Nut, 2.38	
9	014060832	Set screw, Socket(CP)M6x8		53	XA0795001	Stud screw, M1.6	
10	XA0763051	Spring		54	XA0796001	Lower needle arm spring	
11	XA0764051	Feed adjusting shaft		55	XA0797051	Screw, M3	
12	109239001	Washer, wave spring		56	XA0798051	Spring	
13	XA0765051	Washer		57	XA0799150	Vertical feed shaft	
14	048060346	Retaining ring, E6		58	XA0800051	Vertical feed adjusting lever	
15	XA0766051	Reverse stitching lever		59	X54384051	Nut, M4	
16	XA0769051	Reverse stitching spring		60	018401432	Set screw, Socket(CP)M4x14	
17	XA0770051	Reverse stitching lever shaft		61	XA0801051	Vertical feed arm ASSY	
18	048060346	Retaining ring, E6		62	048080346	Retaining ring, E8	
19	014400632	Set screw, Socket(CP)M4x6		63	XA0805051	Vertical feeding cam	
20	XA0771051	Feed adjusting screw		64	060401016	Screw, Bind M4x10	
21	XA0772051	Feed adjusting dial		65	XA0806051	Spring	
22	014400632	Set screw, Socket(CP)M4x6		66	XA2221001	Spring	
23	XA0774051	Plunger		67	XA0807051	Drop knob	
24	XA0775051	Spring, Compression		68	XA0809051	Drop lever	
25	XA0776051	Presser plate ASSY		69	014400832	Set screw, Socket(CP)M4x8	
26	060400616	Screw, Bind M4x6		70	XA0812051	Drop connecting rod	
27	XA0778051	Horizontal feed arm ASSY		71	048030346	Retaining ring, E3	
28	X54384051	Nut M4		72	146200001	Retaining ring CS4	
29	060401416	Screw, Bind M4x14		73	XA0813050	Lower needle cam	
30	048080346	Retaining ring, E8		74	XA0815051	Knot spring plate	
31	XA0889001	Washer, wave spring		75	060400616	Screw, Bind M4x6	
32	048050346	Retaining ring, E5		76	XA0816051	Vertical setting lever	
33	XA0781050	Horizontal feed shaft		77	XA0817051	Spring, Compression	
34	XA0782051	Support shaft		78	146200001	Retaining ring CS4	
35	XA0783051	Spring, Compression		79	XA0818051	Lower needle selecting rod	
36	XA0784051	Presser plate R		80	146200001	Retaining ring CS4	
37	060400816	Screw, Bind M4x8		81	XA0822051	Lower needle rod	
38	XA0785051	Taper point stud		82	120454001	Retaining ring CS4	
39	XA0786051	Presser plate L		83	146200001	Retaining ring CS4	
40	060400816	Screw, Bind M4x8		84	XA0823151	Spring	
41	XA0787051	Horizontal feed plate		85	146200001	Retaining ring CS4	
42	060401016	Screw, Bind M4x10		86	XA0824051	Lower needle UD rod	
43	XA0788050	Feed bar		87	060400416	Screw, Bind M4x4	
44	XA0789051	Feed bar shaft					



No.	CODE	NAME	REMARKS	No.	CODE	NAME	REMARKS
1	XA0831351	Lower shaft ASSY		45	021300306	Nut, 3 M3	
2	014060632	Set screw, Socket(CP)M6x6		46	048030346	Retaining ring, E3	
3	X57943051	Presser plate		47	XA0887001	Spring	
4	X57908051	Taptite, Bind S M4x10		48	146200001	Retaining ring CS4	
5	XA1208001	Rotary hook ASSY		49	XA0888150	Thread cutting lever	
6	184982001	Outer rotary hook plate		50	XA0890050	Thread cutting lever stud	
7	184983001	Screw, Pan 2.38		51	048050346	Retaining ring, E5	
8	184984001	Spring, Compression		52	XA0891051	Presser plate	
9	184985001	Stud screw 1.58		53	X57908051	Taptite, Bind S M4x10	
10	184986001	Screw 4.46		54	XA0892351	Thread cutter cam lever ASSY	
11	XA0842101	Inner rotary hook bracket ASSY		55	XA0896000	Rubber	
12	060401016	Screw, Bind M4x10		56	XA0897251	Thread cutter cam lever stud	
13	060401616	Screw, Bind M4x16		57	048060346	Retaining ring, E6	
14	S06573001	Bobbin case ASSY		58	X50532051	Presser plate	
15	183388001	Bobbin case tension plate		59	X57908051	Taptite, Bind S M4x10	
16	183389001	Tension setting screw		60	XA4065150	Dumping plate	
17	183390001	Screw		61	X57908051	Taptite, Bind S M4x10	
18	100376003	Bobbin		62	X56851051	Lock nut	
19	XA0847001	Timing belt 190XL-031		63	060401016	Screw, Bind M4x10	
20	XA0848050	Idle pulley shaft		64	XA0899251	Thread cutter solenoid ASSY	
21	X57943051	Presser plate		65	XA0905051	Spring	
22	X57908051	Taptite, Bind S M4x10		66	060400816	Screw, Bind M4x8	
23	XA0849050	Idle pulley		67	146200001	Retaining ring CS4	
24	X51383000	Washer		68	XA0908051	Tension release plate A	
25	137768151	Set collar		69	XA0909051	Tension release plate A stud	
26	014400432	Set screw, Socket(CP)M4x4		70	048040346	Retaining ring, E4	
27	048070346	Retaining ring, E7		71	X50532051	Presser plate	
28	XA0852051	Tension adjusting plate bracket		72	X57908051	Taptite, Bind S M4x10	
29	060401016	Screw, Bind M4x10		73	XA4375000	Tension release plate ASSY	
30	XA0853051	Tension adjusting plate		74	048040346	Retaining ring, E4	
31	0A4400806	Screw, Pan(S/P Washer)M4x8		75	011401212	Set screw, (FT)M4x12	
32	XA2451001	Belt guide D		76	X56960001	Nut, 3 M4	
33	060401216	Screw, Bind M4x12		77	XA0911151	Tension release solenoid ASSY	
34	XA0883001	Fixed blade		78	081010870	O ring S10	
35	062400616	Screw, Pan M4x6					
36	014400832	Set screw, Socket(CP)M4x8					
37	X56960001	Nut, 3 M4					
38	XA0884051	Thread supporting plate					
39	062400616	Screw, Pan M4x6					
40	XA0885001	Movable blade					
41	148537101	Screw 4.37					
42	XA3344051	Thread cutter rod					
43	146200001	Retaining ring CS4					
44	XA3343051	Movable blade adjusting screw					







PQ1300
H8060127