

PARTS CATALOGUE

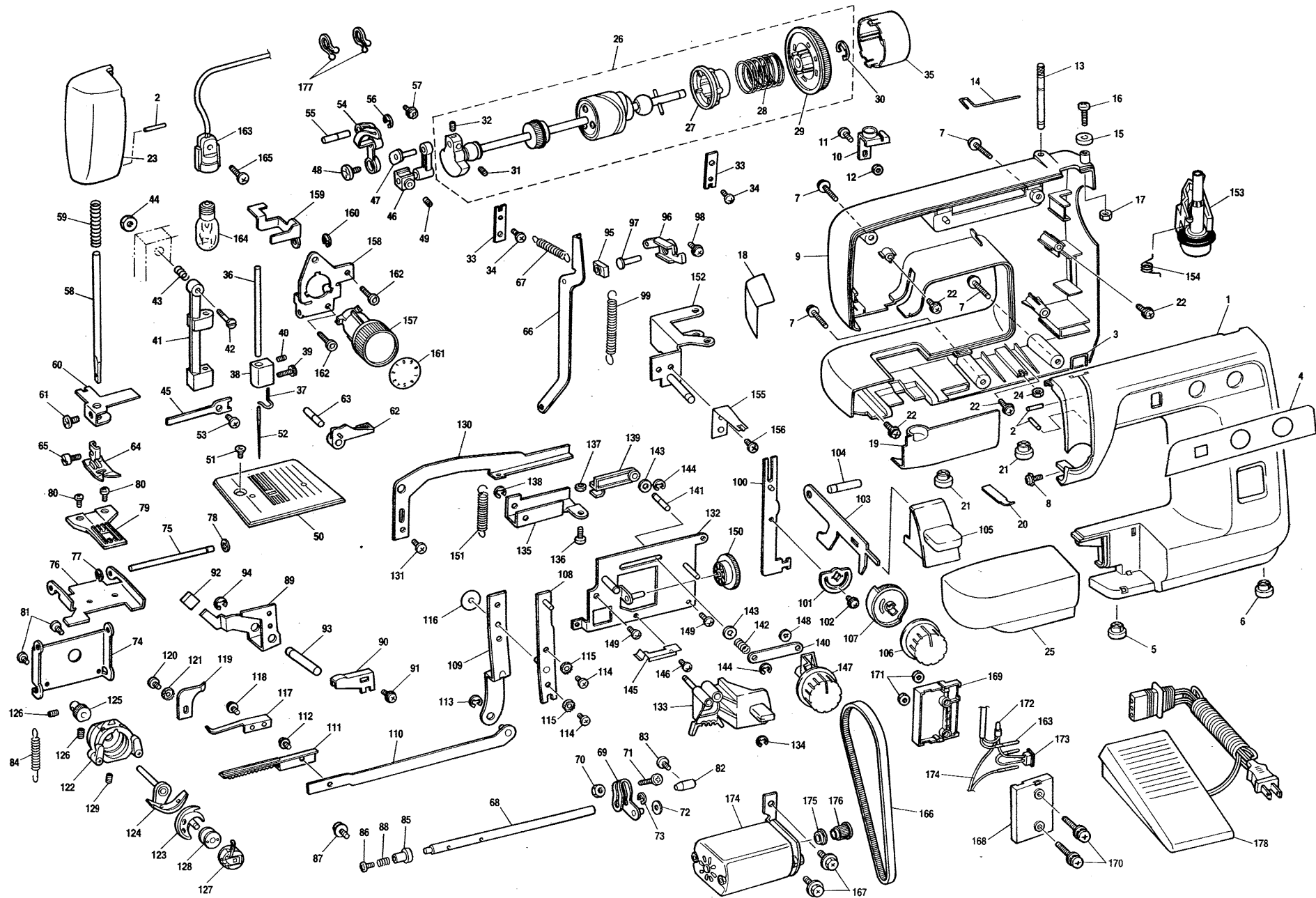
FOR

MODEL VX-1120

REF. NO.	PARTS NO.	PARTS NAME	REF. NO.	PARTS NO.	PARTS NAME
1	XA0574-021	Front cover	36	XA0641-051	Needle bar
2	047211-850	Spring pin	37	XA0642-020	Needle bar thread guide
3	X53625-151	Upper cover thread guide	38	XA0643-051	Needle clamp
4	XA0625-021	Decoration plate	39	XA0644-051	Needle clamp screw
5	XA0626-050	Rubber cushion B	40	012400-432	Screw
6	XA0627-050	Rubber cushion A	41	X57909-051	Needle bar supporter
7	087402-015	Screw	42	XA0645-051	Needle bar supporter stud
8	053400-806	Screw	43	X54369-021	Spring
9	XA0576-021	Rear cover	44	X56851-051	Lock nut
10	130894-001	Thread guide	45	XA0646-051	Needle bar supporter presser
11	OA5301-006	Screw	46	XA1289-051	Needle bar crank rod assembly
12	021300-106	Nut	47	XA1113-051	Needle bar crank
13	188058-001	Spool pin	48	132051-052	Screw
14	XA0628-021	Spool pin spring	49	012400-432	Screw
15	X59864-051	Bobbin presser	50	XA0647-051	Zigzag needle plate
16	052301-616	Screw	51	X50487-051	Screw
17	021300-106	Nut	52	100028-014	Needle
18	X57891-051	Rear cover reflector	53	X57908-051	Screw
19	XA0577-021	Hinged door	54	XA1112-051	Thread take-up assembly
20	X53638-151	Plate spring	55	XA0648-050	Thread take-up lever stud
21	XA0627-050	Rubber cushion A	56	048050-346	Stop ring
22	087402-015	Screw	57	XA0649-051	Screw
23	XA0579-021	Face plate	58	128437-050	Presser bar
24	021060-205	Nut	59	X55770-051	Presser bar spring
25	XA0578-021	Accessory table	60	XA0975-051	Presser bar guide bracket
26	XA0630-021	Upper shaft assembly	61	X52760-051	Screw
27	XA0637-050	Clutch plate	62	XA0976-051	Presser foot lifter
28	XA0636-020	Clutch spring	63	XA0977-050	Presser foot lifter stud
29	XA0638-050	Timing wheel	64	131046-051	Zigzag presser foot
30	048080-346	Stop ring	65	132730-151	Presser foot screw
31	X54013-051	Screw	66	XA0978-051	Feed connecting rod
32	123006-051	Screw	67	XA0980-021	Spring
33	X52478-051	Bushing presser	68	XA0982-020	Horizontal feed shaft
34	X57908-051	Screw	69	XA0983-151	Horizontal feed shaft arm
35	XA0639-021	Balance wheel	70	021400-205	Nut

REF. NO.	PARTS NO.	PARTS NAME	REF. NO.	PARTS NO.	PARTS NAME
71	060401-416	Screw	106	XA1006-021	Stitch length knob
72	X53330-050	Washer	107	XA1007-020	Feed regulator cam
73	048050-346	Stop ring	108	XA1008-051	Cam drive connecting rod A assembly
74	XA0987-021	Horizontal feed plate	109	XA1012-051	Cam drive connecting rod B
75	XA0988-021	Feed stand shaft	110	XA1014-021	Cam drive connecting rod C assembly
76	XA0989-021	Feed stand	111	XA1017-020	Rack
77	048030-346	Stop ring	112	052300-606	Screw
78	146200-051	Stop ring	113	048040-346	Stop ring
79	XA0990-051	Feed dog	114	060400-816	Screw
80	060300-416	Screw	115	027040-226	Toothed washer
81	060400-816	Screw	116	131976-050	Thrust washer
82	XA1082-051	Taper point stud R	117	XA1019-021	Rack plate spring
83	X57913-051	Screw	118	X57884-051	Screw
84	XA0991-021	Spring	119	X57313-051	Rack stopper
85	X54391-150	Taper point stud L	120	X57908-051	Screw
86	062400-416	Screw	121	027040-226	Toothed washer
87	XA0649-051	Screw	122	XA1317-051	Shuttle race assembly
88	X56613-051	Spring	123	128581-053	Shuttle hook
89	XA0993-021	Vertical feed arm	124	XA1021-051	Shuttle driver assembly
90	XA0994-020	Vertical feed adjuster	125	XA1025-051	Driver shaft gear
91	052300-606	Screw	126	014400-432	Screw
92	XA1077-020	Vertical arm	127	128582-053	Bobbin case assembly
93	XA0995-051	Vertical feed shaft	128	X52800-050	Bobbin
94	048060-346	Stop ring	129	014400-632	Screw
95	XA0030-051	Slide block	130	XA1026-051	Zigzag connecting rod
96	XA0996-050	Feed regulator	131	053400-806	Screw
97	XA0997-050	Feed regulator shaft	132	XA1028-021	Zigzag base assembly
98	XA0649-051	Screw	133	XA1033-021	Needle position selector assembly
99	XA0998-021	Spring	134	048040-346	Stop ring
100	XA1000-051	Feed regulator plate assembly	135	XA1036-021	Zigzag link
101	XA1002-050	Reverse sewing regulator shaft	136	X57953-051	Screw
102	052300-606	Screw	137	X56960-051	Nut
103	XA1003-050	Reverse sewing lever plate	138	048030-346	Stop ring
104	XA1004-050	Reverse sewing shaft	139	XA1037-020	Zigzag adjuster connecting rod A
105	XA1005-021	Reverse sewing button	140	XA1038-051	Zigzag adjuster connecting rod B

REF. NO.	PARTS NO.	PARTS NAME	REF. NO.	PARTS NO.	PARTS NAME
141	XA1039-050	Connecting rod pin	173-1	XA1070-051	PW switch assembly (120V)
142	XA1040-021	Spring	173-2	XA1073-051	PW switch assembly (220-240V)
143	025040-133	Plain Washer	174-1	XA1071-051	Motor (120V)
144	048030-346	Stop ring	174-2	XA1429-051	Motor (220V)
145	XA1041-021	Notched spring	174-3	XA1430-051	Motor (230V)
146	060300-416	Screw	174-4	XA1431-051	Motor (240V)
147	XA1042-021	Stitch width knob	174-5	XA1432-051	Motor (110/220V)
148	138384-021	Stop ring	174-6	XA1433-051	Motor (127/220V)
149	X57908-051	Screw	175	XA1265-020	Timing belt pulley A
150	XA1043-020	Zigzag cam	176	XA1266-020	Timing belt pulley B
151	XA1044-021	Zigzag connecting rod spring	177	XA1074-050	Cord guide
152	XA1046-051	Bobbin winder holder assembly	178-1	J02089-051	Foot controller (120V)
153	XA1049-021	Bobbin winder spindle assembly	178-2	J00492-051	Foot controller (220-240V)
154	X59939-021	Bobbin winder spring			
155	XA1050-021	Stitch length knob spring			
156	X57908-051	Screw			
157	XA1052-051	Upper tension control dial			
158	XA1055-021	Upper tension control holder assembly			
159	XA1058-021	Upper tension control releasing lever			
160	048040-346	Stop ring			
161	XA1255-021	Upper tension control dial plate			
162	X57908-051	Screw			
163-1	XA1059-051	Sew-light assembly (120V)			
163-2	XA1064-051	Sew-light assembly (220-240V)			
164-1	X53061-050	Sew-light bulb (120V)			
164-2	205336-050	Sew-light bulb (220-240V)			
165-1	X57984-051	Screw (120V)			
165-2	XA1623-051	Screw (220-240V)			
166	XA1196-051	Timing belt			
167	X55609-051	Screw			
168	XA1068-051	3P socket body			
169	XA1069-051	3P socket cover			
170	052403-006	Screw			
171	021400-205	Nut			
172	214808-050	Connector			



VX-1120
T5030053
Printed in Taiwan