

**PARTS CATALOGUE FOR
COMPUTERIZED SEWING MACHINE**

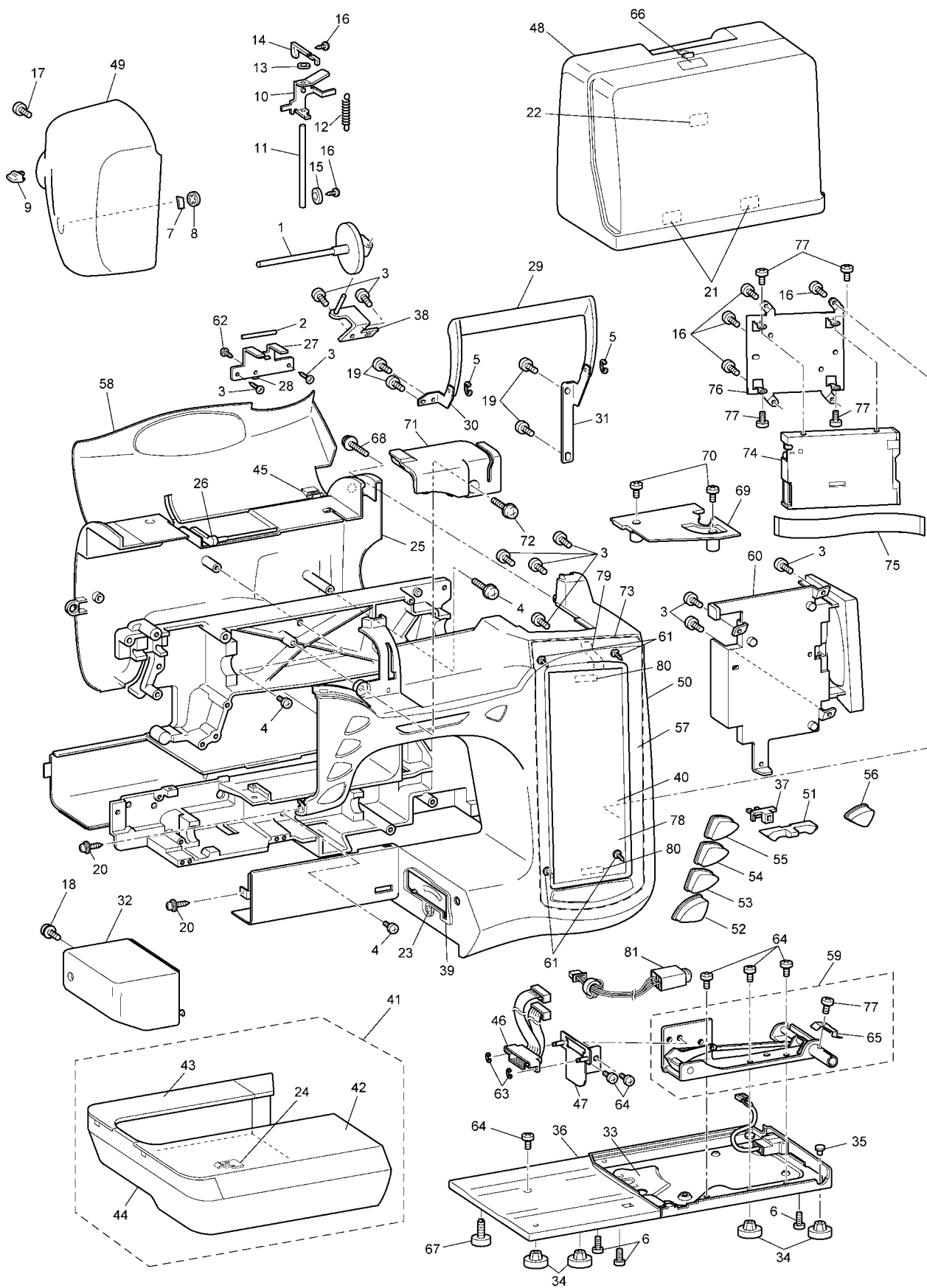
**ULT2002D
SUPER GALAXIE 3000D**

CONTENTS

(1) PRINCIPAL PARTS.....	2
(2) UPPER SHAFT AND NEEDLE BAR	4
(3) FEED MECHANISM	8
(4) ROTARY HOOK, THREAD GUIDE AND THREAD CUTTING.....	10
(5) LAMP, MAIN PC BOARD ASSEMBLY AND MOTOR UNIT ..	12
(6) EMBROIDERY UNIT	14
(7) OTHER PARTS.....	16

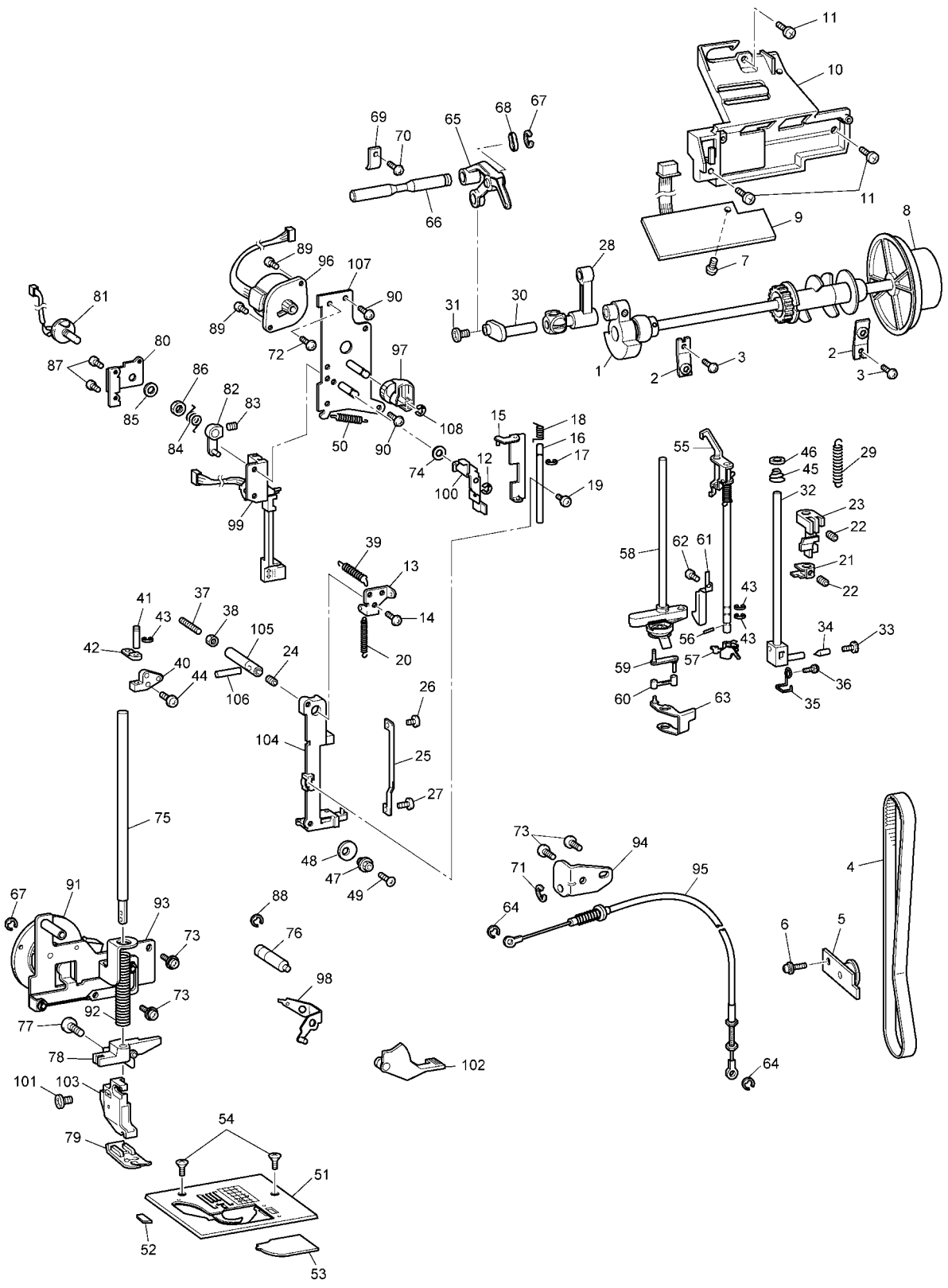
(1) PRINCIPAL PARTS

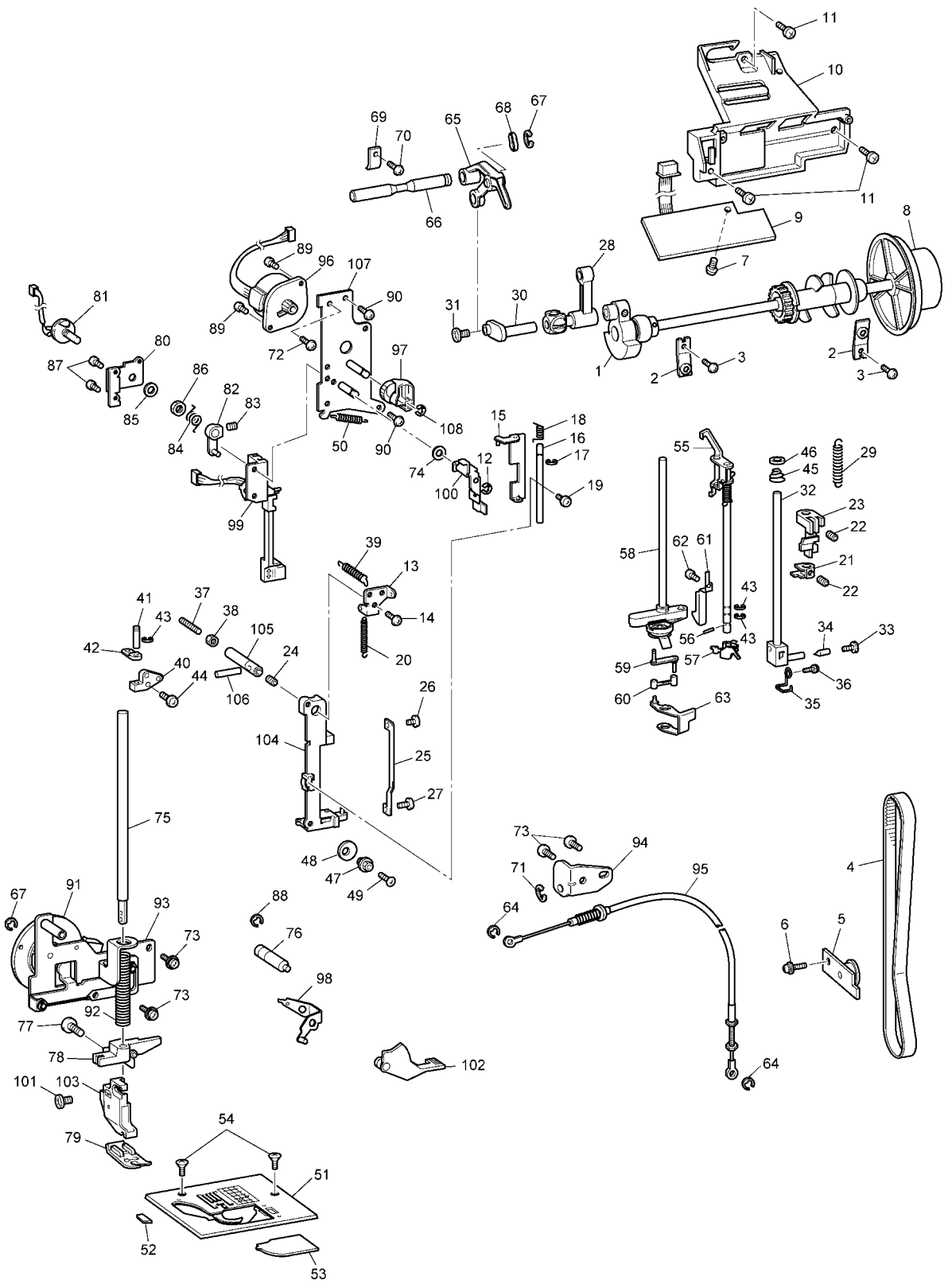
No.	CODE	NAME	REMARKS	No.	CODE	NAME	REMARKS
1	XA1786053	Spool pin		45	XA9411051	Upper cover holder	
2	XA9371051	Shaft		46	XA9641001	Main body lead wire assembly	
3	136681001	Screw B3 x 8		47	XA9773051	Connector holder assembly	
4	087411415	Screw B4 x 14		48	XA9785001	Hardcase assembly	
5	048040346	Stop ring E4		49	XA9861002	Face plate	
6	X57908051	Screw S4 x 10		50	XA9862002	Front cover	
7	X80321001	NT thread cutter assembly		51	XA9863001	SV key top	
8	138384001	CS stop ring CSTW-5		52	XA9864001	SS button	
9	XA1800103	Needle threader lever knob		53	XA9865001	Reverse button	
10	XA5824151	Needle thread lever		54	XA9866001	NP button	
11	XA5825001	Needle thread lever shaft		55	XA9867001	Thread cutting button	
12	138260001	Spring		56	XA9868001	Bobbin winder button	
13	XC0508000	Washer		57	XA9869001	TP-LCD holder	
14	XA6320000	Shaft presser plate		58	XA9870004	Upper cover for ULT2002D	
15	513159001	Washer			XA9870005	Upper cover for SG3000D	
16	138433001	Screw B3 x 6		59	XA9887001	Knee lifter assembly	
17	052401406	Screw 4 x 14		60	XA9947001	Card PCB holder	
18	0A6400806	Screw 4 x 8F		61	085200615	Screw P2 x 6	
19	X57908051	Screw S4 x 10		62	060300416	Screw 3 x 4	
20	U12017001	Screw 3 x 6		63	048030346	Stop ring E3	
21	129074000	Felt		64	060400616	Screw M4 x 6	
22	125440000	Case felt		65	XA6215101	Spring plate	
23	146200001	Stop ring CS4		66	XA3028052	Decoration plate	
24	138644051	Accessory table notched spring		67	XA4687051	Adjust screw assembly	
25	XA9369002	Rear cover		68	087412016	Screw 4 x 20	
26	XA9370051	Spool stand bar		69	XA9799002	Bobbin winder upper cover	
27	XA9372151	Presser plate		70	060300616	Screw 3 x 6	
28	XA9373051	Knoch plate		71	XA9872004	Front thread guard cover	
29	XA9374001	Handle		72	060300616	Screw 3 x 6	
30	XA9375051	Handle holder L assembly		73	X81299105	LCD supply ASSY for Disney U.S.A.	CHG
31	XA9379051	Handle holder R assembly				including #40,57,78,79,80,81	See last page
32	XA9383001	Free arm cover			X81377001	LCD supply ASSY for Disney	ADD
33	XA9385251	Base plate		74	XA9639001	FD unit (FDDFD-05HG-5661)	
34	XA9386051	Base plate rubber		75	XA9640001	FD cable (FFCSML2CD-26)	
35	XA9387050	Base plate rubber stopper		76	XA9946001	FD holder	
36	XA9388001	Base plate cover		77	060260316	Screw 26 x 3	
37	XA9391001	SV joint plate		78	X81375001	LCD module ASSY for U.S.A.	CHG
38	XA9397051	Spool pin holder assembly			X81376001	LCD module ASSY	ADD
39	XA9400051	Connect cover		79	XA9636001	LCD cable (FFCSML2CD-20)	
40	XA9404001	Touch panel EMU60		80	XA6039001	Front cover spacer B	
41	XA9406001	Accessory table assembly		81	X81280001	Pinjack assembly	
42	XA9407002	Accessory table front cover					
43	XA9408001	Accessory table rear cover					
44	XA9409001	Accessory table					



(2) UPPER SHAFT AND NEEDLE BAR

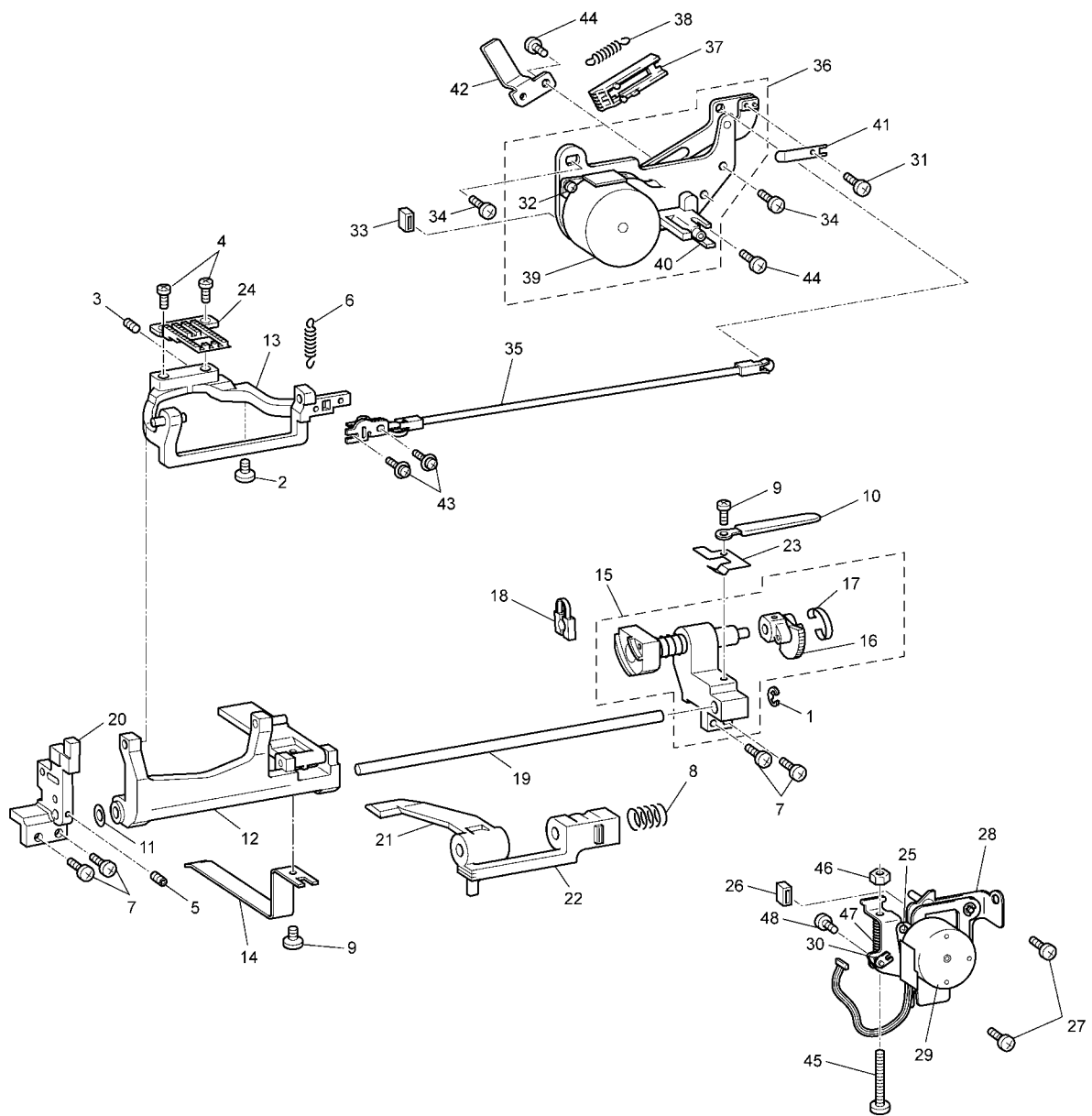
No.	CODE	NAME	REMARKS	No.	CODE	NAME	REMARKS
1	XA9416001	Upper shaft assembly		45	X57822101	Spring	
2	X52478001	Presser plate A		46	X58511100	Washer	
3	X57908051	Screw S4 x 10		47	X50559050	Zigzag adjusting nut	
4	X53125001	Timing belt		48	XA1860150	Washer	
5	XA9425051	Tension Pulley assembly		49	062301006	Screw 3 x 10	
6	138172001	Screw 4 x 10DA		50	XA1861051	Spring	
7	138433001	Screw B3 x 6		51	XA9438101	Needle plate assembly	
8	XA9418001	Pulley		52	X80321001	Lower thread cutter	
9	XA9427001	NP PCB assembly		53	X56828151	Needle plate cover	
10	XA9430151	PCB holder		54	X50487001	Screw M4	
11	060400816	Screw 4 x 8		55	XA5834001	Needle thread shaft A assembly	
12	048030346	Stop ring E3		56	131281001	Pin 2 x 6	
13	XA1843150	Set plate		57	XA5838001	Threader hook assembly	
14	060300616	Screw 3 x 6		58	XA5920101	Needle thread shaft B assembly	
15	XA1844151	Needle release lever assembly		59	XA3565051	Link A assembly	
16	XA1847051	Needle release lever shaft		60	XA3569001	Link B	
17	048025346	Stop ring E2.5		61	XA5851000	Hook release plate	
18	XA1848051	Spring		62	060260516	Screw 26 x 5	
19	0A2300806	Screw 3 x 8B		63	XA5852001	Thread guide assembly	
20	XA5837101	Spring		64	048030346	Stop ring E3	
21	X55983150	Needle threader position setter		65	XA9441051	Thread take-up lever assembly	
22	012400432	Screw 4 x 4		66	XC0397051	Thread take-up lever shaft	
23	X55984101	Needle bar block assembly		67	048050346	Stop ring E5	
24	014400432	Screw 4 x 4		68	XA1866001	Washer	
25	X55990001	Needle bar guide		69	XA9929051	Shaft presser plate	
26	060300416	Screw 3 x 4		70	X57913051	Screw S4 x 16	
27	061300516	Screw M3 x 5		71	048040346	Stop ring E4	
28	XA9431051	Needle bar crank rod assembly		72	060400616	Screw M4 x 6	
29	X58237001	Spring		73	X57908051	Screw S4 x 10	
30	XA9434051	Needle bar crank		74	X53027000	Washer	
31	132051001	Screw 3.57L		75	XA5854001	Presser bar	
32	XA1849201	Needle bar assembly		76	XA6190001	Stud for presser foot lifter	
33	XZ0002051	Needle clamp screw		77	X52760051	Screw 6 x 12	
34	XA6035001	Needle clamp pin		78	XA1870151	Presser bar clamp assembly	
35	XA1851000	Needle bar thread guide		79	137748101	Zigzag presser foot	
36	008020306	Screw 2 x 3		80	XA2222001	PT holder	
37	014401632	Screw M4 x 16		81	XA9447001	Cloth thickness sensor	
38	X56851051	Nut		82	XA6493001	PT lever	
39	XA1856051	Spring		83	012300632	Screw 3 x 6	
40	XA9436051	H shaft holder assembly		84	XA1894051	Spring	
41	XA1859051	Needle bar supporter stud		85	026060235	Washer M6	
42	X56464001	Needle bar supporter arm		86	X52569001	Nut #1	
43	048025346	Stop ring E2.5		87	060300816	Screw M3 x 8	
44	052401406	Screw 4 x 14		88	048050346	Stop ring E5	





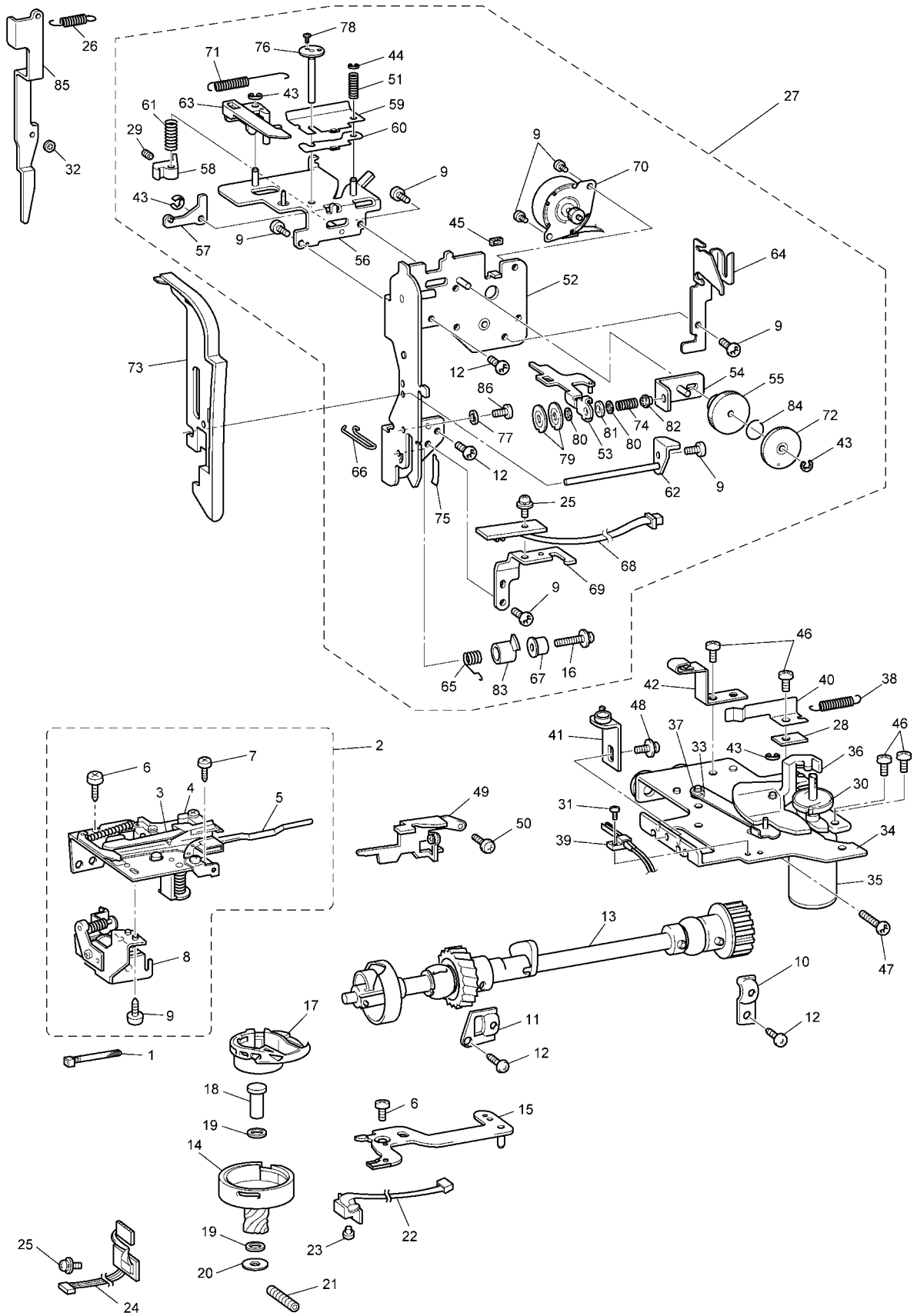
(3) FEED MECHANISM

No.	CODE	NAME	REMARKS	No.	CODE	NAME	REMARKS
1	048050346	Stop ring E5		45	060504016	Screw 5 x 40	
2	X59916051	Screw		46	021050315	Nut 5	
3	012400432	Screw 4 x 4		47	XA9500051	Spring, compression	
4	060300616	Screw 3 x 6		48	XC0106001	Screw 3 x 8	CHG
5	014400432	Screw 4 x 4					
6	XA9486001	Spring					
7	052401406	Screw 4 x 14					
8	XA9490051	Spring					
9	060300616	Screw 3 x 6					
10	137947001	Clip					
11	X53330000	Washer					
12	XA9463151	Horizontal feed assembly					
13	XA9464050	Feed bar					
14	XA9470001	Feed arm plate					
15	XA9473001	Feed adjuster assembly					
16	XA9482000	Feed gear					
17	XA9483001	Spring plate					
18	XA9484000	Feed regulator slide block					
19	XA9485051	Horizontal feed shaft					
20	XA9487051	Horizontal feed shaft guide					
21	XA9488051	Drop plate					
22	XA9489051	Drop knob					
23	XA9491151	Spring plate					
24	XA9843001	Feed dog					
25	060300416	Screw 3 x 4					
26	XA2189050	Rubber					
27	X57908051	Screw S4 x 10					
28	XA9492001	FPM holder assembly					
29	XA9499001	F pulse motor					
30	XA9923051	Plate nut					
31	060300616	Screw 3 x 6					
32	060300416	Screw 3 x 4					
33	XA2189050	Rubber					
34	X57908051	Screw S4 x 10					
35	XA9462051	Side feed arm assembly					
36	XA9501001	SPM holder assembly					
37	XA9506051	Side feed gear					
38	XA9508051	Spring					
39	XA9509001	S pulse motor					
40	XA9510051	Main PC plate holder D					
41	XA9514051	Spring plate					
42	XC0411001	S stoper					
43	XA8390001	Screw 3 x 7					
44	060300616	Screw 3 x 6					



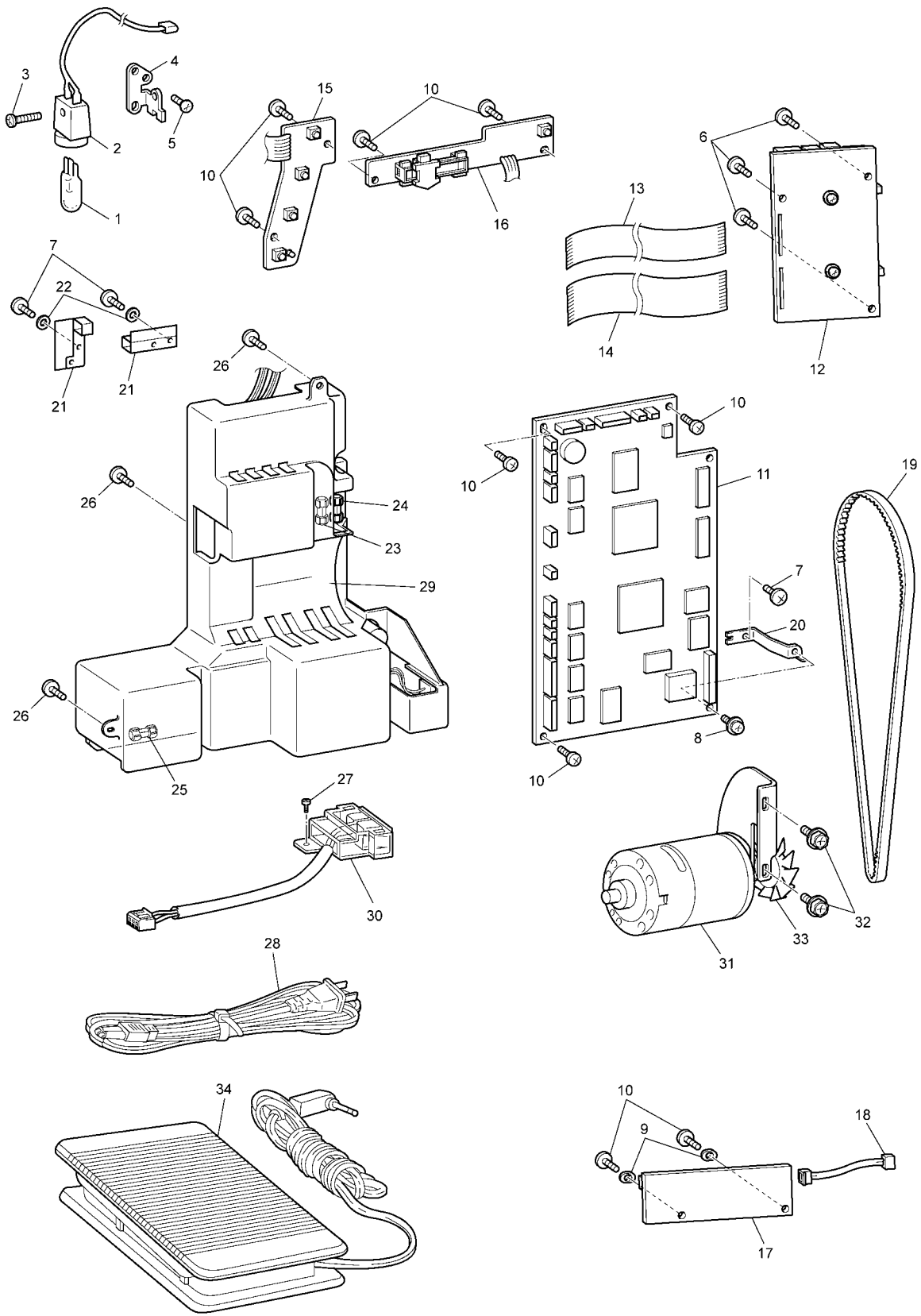
(4) ROTARY HOOK, THREAD GUIDE AND THREAD CUTTING

No.	CODE	NAME	REMARKS	No.	CODE	NAME	REMARKS
1	X53169050	Band		45	XA2189050	Rubber	
2	XA9515151	Thread cutter assembly		46	060300416	Screw 3 x 4	
3	XA2848151	Movable blade assembly		47	X57908051	Screw S4 x 10	
4	X56133001	Fixed blade		48	052300606	Screw 3 x 6	
5	XA9518051	Lower thread guide assembly		49	XA2935051	Thread guide plate	
6	060400816	Screw 4 x 8		50	060300616	Screw 3 x 6	
7	060300616	Screw 3 x 6		51	X57605001	Spring	
8	XA2578251	Thread cutter solenoid assembly		52	XA9553051	Thread tension plate assembly	
9	060300416	Screw 3 x 4		53	XA9559051	Tension release plate assembly	
10	132421001	Bushing presser R		54	XA9562051	Tension plate assembly	
11	XA1975051	Bushing presser L		55	XA9565000	Thread tension cam	
12	X57908051	Screw S4 x 10		56	XA9566001	Tension release assembly	
13	XA9522001	Lower shaft assembly		57	XA9571001	Tension release link	
14	XA2855101	Outer rotary hook assembly		58	XA9573001	Tension release cam	
15	XA5869001	Inner rotary hook bracket assembly		59	XA9575001	Tension plate	
16	0A4301804	Screw 3 x 18		60	XA9576001	Spacer	
17	XC0426101	Inner rotary hook assembly		61	XA9577001	Spring	
18	XA0360051	Outer rotary hook shaft		62	XA9578051	Thread guard assembly	
19	XA2190000	Washer U		63	XA9581051	Thread take-up lever guard	
20	XA0362001	Washer		64	XA9582051	Thread guide	
21	014401632	Screw M4 x 16		65	XA9583001	Thread take-up spring	
22	XA9524001	Photo diode assembly		66	XA9584050	Thread guide wire	
23	060020416	Screw M2 x 4		67	XA9585001	Thread catching spring case	
24	XA9526001	Photo transistor assembly		68	XA9586001	UT sensor PCB assembly	
25	052300606	Screw 3 x 6		69	XA9589051	Thread sensor holder	
26	XA9787051	Spring		70	XA9591001	AT pulse motor	
27	XA9551001	Tension unit assembly		71	XA9601101	Spring	
28	X50532051	Presser plate		72	XA9625000	Thread tension gear cover	
29	012300432	Screw 3 x 4		73	XA9871002	Thread guide cover	
30	XA5876001	Bobbin base assembly		74	XA9900001	Spring	
31	062260516	Screw 2.6 x 5		75	XA9935000	Spring tape	
32	120454001	Bush		76	XA9938001	Tension presser assembly	
33	137999000	Washer		77	XA9996001	Washer	
34	XA9530051	Bobbin winder holder assembly		78	XA9997001	Screw M2 x 3	
35	XA9534001	BW motor assembly		79	108263001	Thread tension disc	
36	XA9540001	Bobbin pressure		80	109763003	Washer	
37	XA9541051	Bobbin pressure guide assembly		81	137881001	Tension disk washer	
38	XA9545051	Spring		82	137878051	Thread tension adjusting screw	
39	XA9546001	BW switch assembly		83	X58316001	Thread breakage shutter	
40	XA9548051	Spring plate		84	X56323051	Spring	
41	XA9549151	Bobbin winder guide plate		85	XA9449051	Tension release plate C	
42	XA9797051	Thread guide plate		86	060300516	Screw 3 x 5	
43	048030346	Stop ring E3					
44	048020346	Stop ring E2					



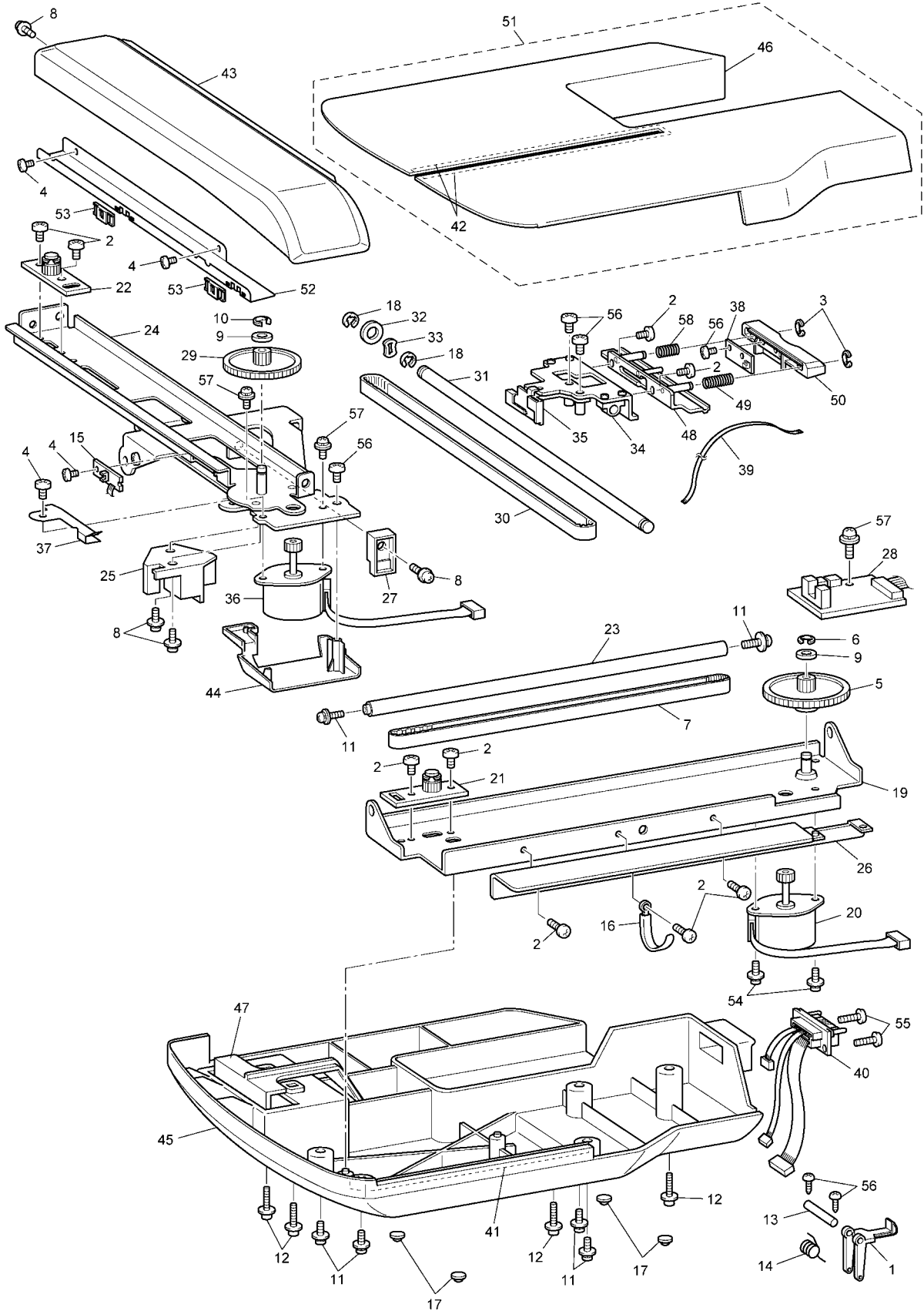
(5) LAMP, MAIN PC BOARD ASSEMBLY AND MOTOR UNIT

No.	CODE	NAME	REMARKS
1	XA2037001	WB sew-light bulb	
2	XA9596001	WBL socket sub assembly	
3	002261205	Screw 2.6 x 12	
4	XA5879051	Lamp holder	
5	060300416	Screw 3 x 4	
6	136681001	Screw B3 x 8	
7	X57908051	Screw S4 x 10	
8	052300606	Screw 3 x 6	
9	XA2220050	Board presser	
10	136681001	Screw B3 x 8	
11	XC1373001	Main PCB assembly	
12	XA9619001	Card PCB unit	
13	XA9620001	Flexible flat cable	
14	XA9621001	Flexible flat cable	
15	XA9628001	SS PCB assembly	
16	XA9631001	VR PCB assembly	
17	XA9634001	Inverter	
18	XA9635001	CFL lead wire sub assembly	
19	XA9644000	T belt	
20	XA9642001	Set plate R	
21	XA9643000	Cord holder	
22	026040236	Washer	
23	XA9760001	Glass fuse for 120V	
		Glass fuse for 230V	
24	U32089001 XA9761001	Glass fuse for 120V	
		Glass fuse for 230V	
25	XA9762001	Glass fuse for 120V	
		Glass fuse for 230V	
26	052401406	Screw 4 x 14	
27	060400616	Screw M4 x 6	
28	XA2815051	Power supply cord for CSA	
	XA0070051	Power supply cord for CEE	
	X59328051	Power supply cord for SAA	
	X57079001	Power supply cord for BS	
	XA1291051	Power supply cord for KOREA	
29	XA9727001	Power circuit unit assembly 120	
	XA9817001	Power circuit unit assembly 230	
30	XA9941001	Inlet 230 assembly	
	XA9961001	Inlet 120 assembly	
31	XA9645001	Motor assembly	
32	XA5901001	Screw 4 x 14	
33	XA9652050	Fan	
34	XC1157051	Foot controller for 120V	
	XC1159001	Foot controller for 230V	



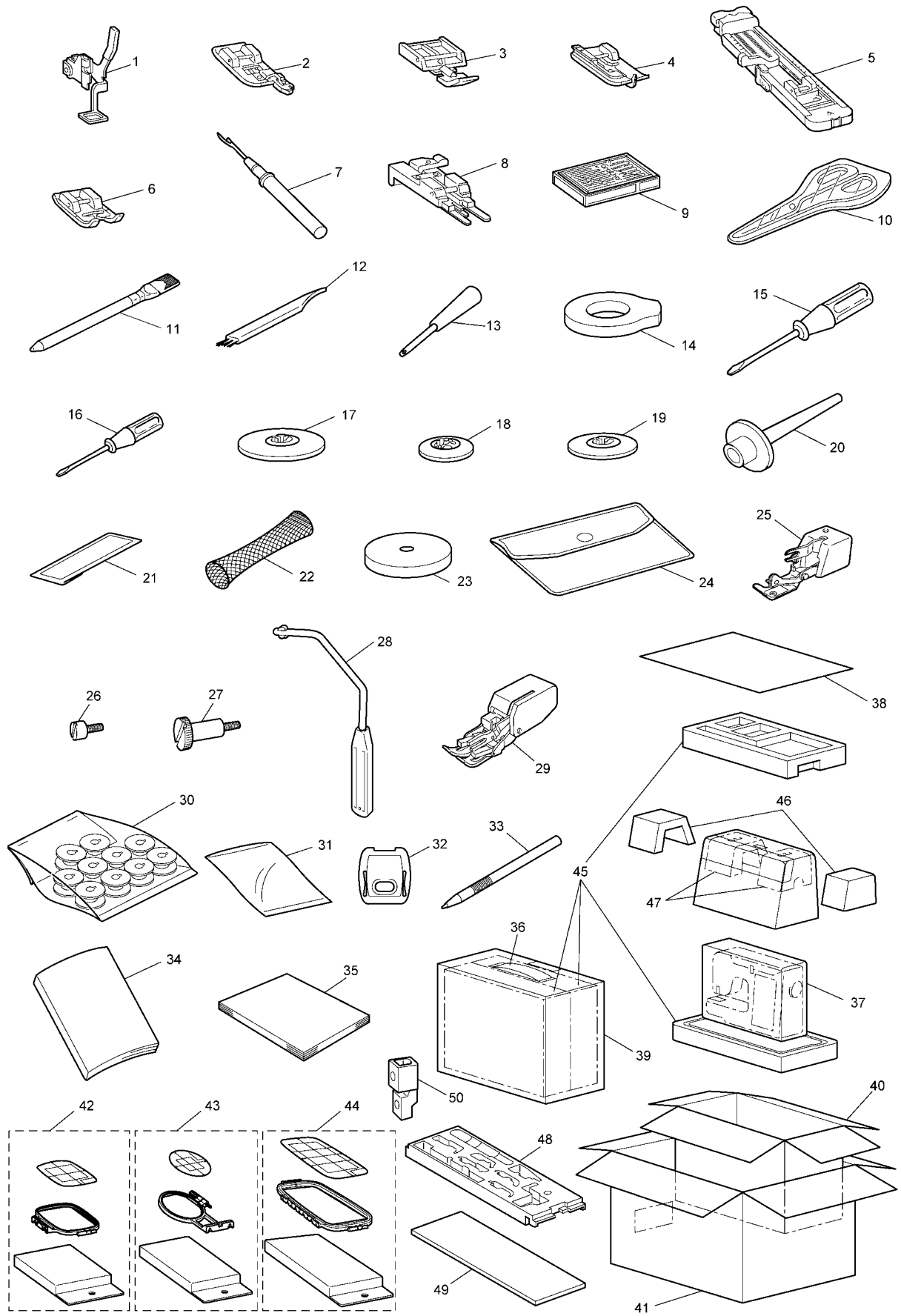
(6) EMBROIDERY UNIT

No.	CODE	NAME	REMARKS	No.	CODE	NAME	REMARKS
1	XA5349050	Lock finger		45	XA9697001	ES base cover	
2	060400616	Screw M4 x 6		46	XA9698001	ES main cover	
3	048025346	Stop ring E2.5		47	XA9699001	Lock release lever	
4	060300616	Screw 3 x 6		48	XA9700001	Frame sub assembly	
5	XA2122050	X driving gear pulley		49	XA9703001	Spring 4.6 x 20	
6	048040346	Stop ring E4		50	XA9704001	Frame lock lever	
7	XA2123001	Timing belt 60S2M494		51	XA9793001	ES main cover assembly	
8	052400806	Screw 4 x 8		52	XA9795000	Code guide Y	
9	025060235	Washer		53	XA9832050	Code clip B	
10	048040346	Stop ring E4		54	XA8390001	Screw 3 x 7	
11	052400806	Screw 4 x 8		55	085301615	Screw P3 x 16	
12	087411415	Screw B4 x 14		56	085301017	Screw P3 x 10	
13	XA0814001	Pin G4 x 20		57	XA8390001	Screw 3 x 7	
14	XA2157051	Spring		58	XC0444001	Spring 6 x 19	
15	XA9684101	Y sensor PCB assembly					
16	T31049001	Clip					
17	X59853000	Rubber cushion					
18	XA7680001	Stop ring 9.25					
19	XA9653001	Main frame sub assembly					
20	XA9656001	X pulse motor					
21	XA9657051	Tension pulley assembly					
22	XA9657051	Tension pulley assembly					
23	XA9661001	X guide shaft					
24	XA9662001	X carriage assembly					
25	XA9668001	X slider					
26	XA9669001	X guide plate					
27	XA9670001	X belt presser					
28	XA9671001	X sensor PCB assembly					
29	XA9674001	Y driving gear pulley					
30	XA9675001	Timing belt 60S2M656					
31	XA9676001	Y shaft					
32	XA9677001	Washer					
33	XA9678001	Washer					
34	XA9679001	Y carriage assembly					
35	XA9682001	Y slider					
36	XA9683001	Y pulse motor					
37	XA9687050	Code clip					
38	XA9688001	Frame PCB assembly					
39	XA9692101	Flexible flat cable					
40	XA9693001	EMB unit lead wire assembly					
41	XA9694001	Groove cover					
42	XA9694001	Groove cover					
43	XA9695002	X carriage cover					
44	XA9696101	YPM cover					



(7) OTHER PARTS

No.	CODE	NAME	REMARKS	No.	CODE	NAME	REMARKS
1	XC1274001	Embroidery foot assembly		40	X61500000	Carton	
2	X51162001	Overcasting stitch-foot		41	X61704001	Master carton for ULT2002D	
3	X59370051	Zipper foot			X61705001	Master carton for SG3000D	
4	X56409001	Blind stitch foot		42	X81273001	Embroidery frame 100 assembly for ULT2002D	
5	X57789101	Button hole foot			X81273002	Embroidery frame 100 assembly for SG3000D	
6	X53840301	Monogramming foot		43	X81275001	Embroidery frame 60 assembly for ULT2002D	
7	X54243001	Seam ripper			X81275002	Embroidery frame 60 assembly for SG3000D	
8	130489001	Button fitting foot		44	X81274001	Embroidery frame 160 assembly for ULT2002D	
9	X58358001	Z needle set			X81274002	Embroidery frame 160 assembly for SG3000D	
10	184783001	Scissors		45	X61522001	Machine SF assembly	
11	184944001	Chalk pen		46	X61507001	Case SF assembly	
12	XA4527001	Cleaning brush		47	X61523001	Head SF assembly	
13	135793001	Needle plate fixing metal		48	XC1398001	Accessory tray	
14	XC1074051	Screw driver		49	XC1678001	Sponge	
15	X55467051	Screw driver M		50	XA6027001	Presser adapter S	ADD
16	X55468051	Screw driver S			XC1291001	Carrying case (UPC)	
17	130012004	Spool cap A			XC1291002	Carrying case (EAN)	
18	130013004	Spool cap B			X81329001	Embroidery frame 130 (UPC)	
19	X55260153	Spool cap C			X81329002	Embroidery frame 130 (EAN)	
20	XA3336051	Spool bar			XC0981001	Adapter for 18x13 embroidery frame (UPC)	
21	X59296001	Twin needle set			XC0981002	Adapter for 18x13 embroidery frame (EAN)	
22	127610000	Net					
23	X57045001	Felt					
24	XA1363051	Accessory bag					
25	X80943001	Side cutter					
26	XA4813051	Screw 3.57					
27	XA5904051	Screw 3.57					
28	XA6941001	Knee lifter lever assembly					
29	X81065001	Walking foot					
30	XA3812051	Bobbin					
31	XA0188000	Bag					
32	XA9939051	Needle plate cover					
33	XA9940001	Touch pen					
34	193220011	Instruction manual (English)					
	193220013	Instruction manual (German)					
	193220015	Instruction manual (French)					
	193220014	Instruction manual (Dutch)					
	193220016	Instruction manual (Italian)					
	193220012	Instruction manual (Spanish)					
35	193220060	Quick reference guide					
36	418859001	Handle					
37	X60439100	Bag 630 x 630					
38	X61569001	Pad D200					
39	X61505001	Embroidery carton D					



• LCD supply assembly

No.	CODE	NAME	REMARKS	No.	CODE	NAME	REMARKS
1	085200615	Screw P2 x 6		5	XA9636001	LCD cable (FFCSML2CD-20)	
2	X81375001	LCD module ASSY for U.S.A.	CHG	6	X81360001	Batch assembly	
	X81376001	LCD module ASSY	ADD				
3	XA6039001	Front cover spacer B		7	X81299105	LCD supply ASSY for Disney for U.S.A.	CHG
4	XA9404001	Touch panel EMU60			X81377001	LCD supply ASSY for Disney	ADD

