

PARTS CATALOGUE

FOR

MODEL PRESTIGE 10

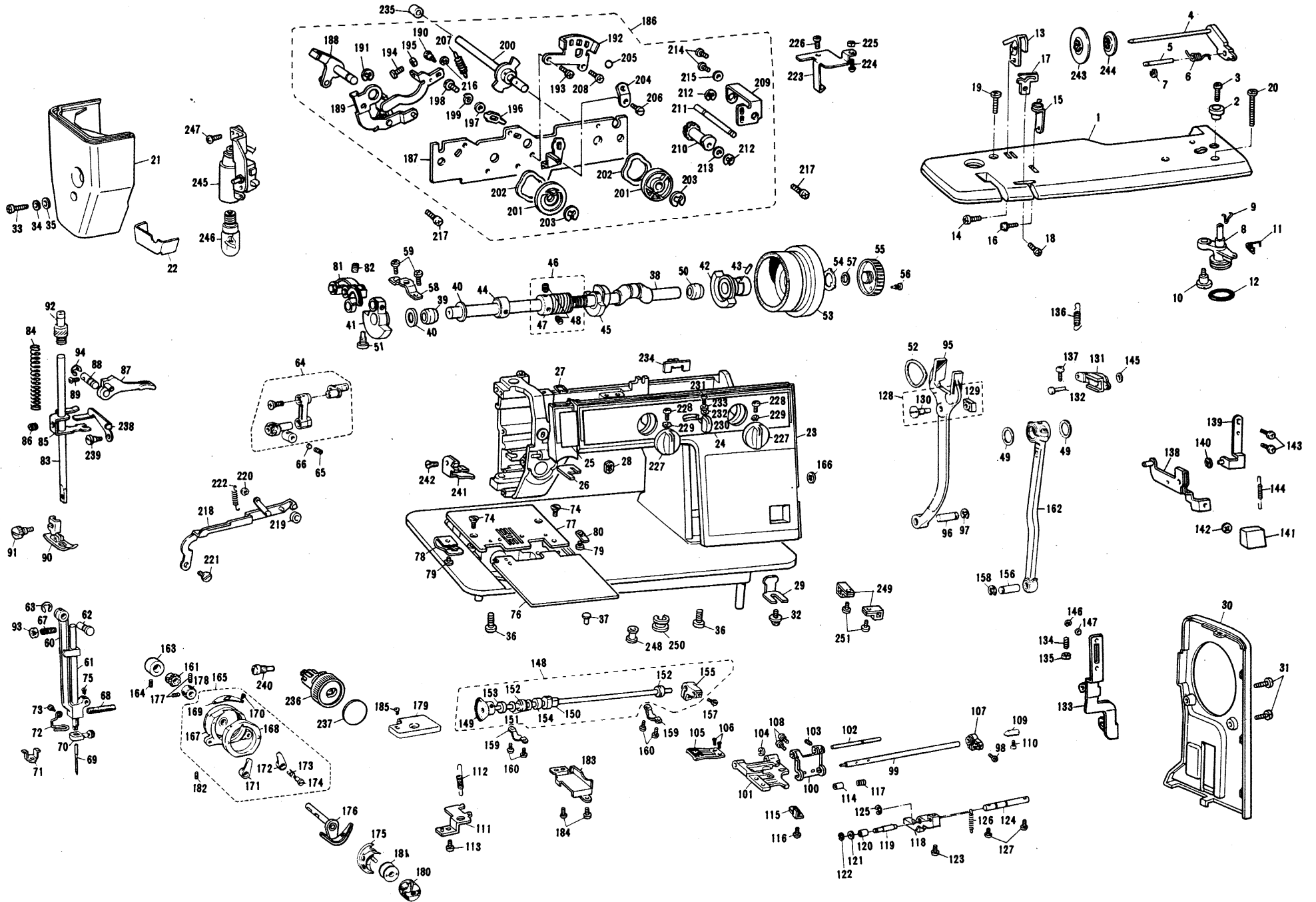
REF.NO.	PARTS NO.	PARTS NAME	REF.NO.	PARTS NO.	PARTS NAME
1	X55530051	TOP COVER	36	060401416	SCREW
2	121846051	BOBBIN PRESSER	37	118315000	VINYL BUSH
3	062671614	SCREW	38	128433000	UPPER SHAFT
4	X55531051	SPOOL PIN	39	X55547050	METAL
5	X55532051	SPOOL PIN SHAFT	40	X55548050	SLAST WASHER
6	X53630051	SPRING	41	137576001	ECCENTRIC COUNTER WEIGHT
7	048040346	STOP RING	42	131030050	BALANCE WHEEL BUSHING
8	X00141051	BOBBIN WINDER ASSEMBLY	43	120438001	PIN
9	125928000	SPRING	44	X55549051	SET COLLAR
10	120263051	STUD SCREW	45	131335001	FEED CAM ASSEMBLY
11	X55533051	SPRING	46	137579151	SPIRAL GEAR ASSEMBLY
12	120448051	BOBBIN WINDER RUBBER RING	47	102466100	SPIRAL GEAR
13	X54333051	THREAD GUIDE ASSEMBLY	48	014400632	SCREW
14	060300616	SCREW	49	118519081	WASHER
15	X54336051	BOBBIN WINDER THREAD GUIDE ASSEMBLY	50	X55551050	METAL
16	U27736051	SCREW	51	129559151	SCREW
17	X00155001	TOP COVER THREAD GUIDE	52	124616000	WASHER
18	062670612	SCREW	53	X55552051	BALANCE WHEEL
19	060401204	SCREW	54	100041002	STOP MOTION WASHER
20	060404004	SCREW	55	132170068	STOP MOTION KNOB
21	X56430051	FACE PLATE	56	100043053	STOP MOTION KNOB SCREW
22	138642051	REFLECTOR	57	125096051	WASHER
23	X56522051	FRONT COVER	58	X55553051	METAL PRESSER
24	X56524051	ARM DECORATION SHEET A	59	060400816	SCREW
25	X56525051	ARM DECORATION SHEET B	60	128599001	NEEDLE BAR SUPPORTER
26	X52442051	THREAD GUIDE	61	136872151	NEEDLE BAR
27	X55542051	FRONT COVER THREAD GUIDE	62	129560001	NEEDLE BAR SUPPORTER STUD
28	123518001	STOP RING	63	048050346	STOP RING
29	X55543051	FRONT COVER SITTING PLATE	64	129919151	NEEDLE BAR CRANK ROD ASSEMBLY
30	X55636051	REAR COVER	65	014680432	SCREW
31	052401406	SCREW	66	100507050	METAL PLATE
32	533777001	SCREW	67	014401632	SCREW
33	062671614	SCREW	68	120110051	SPRING
34	025350134	WASHER	69	100028014	NEEDLE #14
35	130128001	WASHER	70	X54859051	NEEDLE CLAMP ASSEMBLY

REF. NO.	PARTS NO.	PARTS NAME	REF. NO.	PARTS NO.	PARTS NAME
71	125161080	NEEDLE GUIDE PLATE	106	100080003	SCREW
72	128391001	NEEDLE BAR THREAD GUIDE	107	X55565051	HORIZONTAL FEED SHAFT ARM
73	100139051	SCREW	108	060400816	SCREW
74	X50487051	SCREW	109	X54390051	TAPER POINT STUD R
75	123185001	SCREW	110	060401416	SCREW
76	X55769051	SLIDE PLATE	111	X55567051	SPRING HOLDER
77	X55641051	NEEDLE PLATE	112	X55568051	SPRING
78	124766051	NEEDLE PLATE SPRING	113	060400816	SPRING
79	X55557051	SCREW	114	X55569051	HORIZONTAL FEED SHAFT METAL L
80	X55558051	NEEDLE PLATE SPRING R	115	X55570051	METAL PRESSER PLATE
81	X55559051	THREAD TAKE-UP LEVER ASSEMBLY	116	060400816	SCREW
82	014400832	SCREW	117	X56613051	SPRING
83	130948050	PRESSER BAR	118	130874151	VERTICAL FEED ARM
84	X55770051	PRESSER BAR SPRING	119	130875001	VERTICAL FEED ROLLER SHAFT
85	138654001	PRESSER BAR GUIDE BRACKET	120	123865000	VERTICAL FEED ROLLER
86	151605001	SCREW	121	100579003	WASHER
87	138655001	PRESSER FOOT LIFTER	122	048030346	STOP RING
88	138656251	PRESSER FOOT LIFTER SHAFT	123	120990051	SCREW
89	062401216	SCREW	124	X55573051	VERTICAL FEED ARM SHAFT
90	131046051	PRESSER FOOT ASSEMBLY	125	048050346	STOP RING
91	X53667051	THUMB SCREW	126	118352051	SPRING
92	X55771051	PATCH-MATIC PRESSURE ADJUSTER	127	060401216	SCREW
93	021400202	NUT	128	115234051	SLIDE BLOCK ASSEMBLY
94	048050346	STOP RING	129	X55473051	SLIDE BLOCK
95	130870001	FORKED CONNECTING ROD	130	100067051	SLIDE BLOCK STUD
96	129991001	STUD	131	125719000	FEED REGULATOR
97	048050346	STOP RING	132	123547000	FEED REGULATOR STUD
98	131331051	SCREW	133	X55575151	FEED REGULATOR ADJUSTING PLATE
99	X55562051	HORIZONTAL FEED SHAFT	134	136150001	SCREW
100	X55564051	HORIZONTAL FEED ARM	135	021660102	NUT
101	X56614050	FEED BAR	136	139466001	SPRING
102	120997050	FEED BAR SHAFT	137	062401216	SCREW
103	014400632	SCREW	138	X55580051	FEED ADJUSTING LEVER
104	048040346	STOP RING	139	X55615051	FEED ADJUSTING LEVER SUPPORTER
105	129373051	FEED DOG	140	048030346	STOP RING

REF. NO.	PARTS NO.	PARTS NAME	REF. NO.	PARTS NO.	PARTS NAME
141	X00188007	REVERSE SEWING BUTTON	176	X55592051	SHUTTLE DRIVER ASSEMBLY
142	120454051	STOP RING	177	014400432	SCREW
143	062400816	SCREW	178	X54433051	COLLAR
144	X55582051	SPRING	179	139100051	GEAR COVER
145	X53330050	WASHER	180	128582083	BOBBIN CASE ASSEMBLY
146	048040346	STOP RING	181	X52800050	BOBBIN
147	025060132	WASHER	182	014400632	SCREW
148	X55917051	LOWER SHAFT COMPLETE	183	X55595051	GEAR COVER D
149	X55586051	LOWER SHAFT ASSEMBLY	184	060400816	SCREW
150	X54423051	VERTICAL FEED CAM ASSEMBLY	185	060400816	SCREW
151	X51383050	WASHER	186	X56527051	FRAME ASSEMBLY
152	X52664050	LOWER SHAFT BUSHING	187	X56528051	CONTROL FRAME BODY
153	137767151	SET COLLAR	188	X55651051	ZIGZAG ADJUSTING LEVER ASSEMBLY
154	X55588051	COLLAR	189	129593001	ZIGZAG LINK ASSEMBLY
155	X55589051	LOWER SHAFT CRANK	190	123553001	RIVET
156	129991001	STUD	191	048090346	STOP RING
157	120990051	SCREW	192	123702001	NEEDLE POSITION STOPPER
158	048050346	STOP RING	193	062670412	SCREW
159	X54780151	METAL PRESSER	194	129595001	ADJUSTING SCREW
160	060400816	SCREW	195	021670102	NUT
161	X55384051	SHUTTLE DRIVER SHAFT GEAR ASSEMBLY	196	123589001	ZIGZAG WIDTH CONTROL PLATE
162	128461001	CRANK ROD ASSEMBLY	197	025660132	WASHER
163	131305000	SHUTTLE DRIVER SHAFT BUSHING	198	062660614	SCREW
164	014400632	SCREW	199	124303001	SPRING WASHER
165	X56767051	SHUTTLE RACE ASSEMBLY	200	X55584051	STITCH REGULATING DIAL SHAFT ASSEMBLY
166	124246051	STOP RING	201	135375001	SPRING PRESSER PLATE
167	X56768051	SHUTTLE RACE BODY	202	123586001	SPRING WASHER
168	X56672051	SHUTTLE RACE RING	203	048040346	STOP RING
169	129659051	SHUTTLE RACE TOP SPRING	204	124699001	NEEDLE POSITION NOTCHED SPRING
170	X56676051	SCREW	205	101026001	STEEL BALL
171	X56769051	SET LEVER L	206	110215002	SCREW
172	X56770051	SET LEVER R	207	129654001	SPRING
173	128476051	SPRING	208	062671012	SCREW
174	128477051	STUD SCREW	209	129601001	ZIGZAG CAM FRAME
175	128581051	SHUTTLE HOOK	210	129602000	ZIGZAG CAM

REF.NO.	PARTS NO.	PARTS NAME	REF.NO.	PARTS NO.	PARTS NAME
211	129603000	ZIGZAG CAM SHAFT	246		SEW-LIGHT BULB
212	048040346	STOP RING	247	062400816	SCREW
213	109763002	WASHER	248	120681001	CORD BUSH
214	062670612	SCREW	249	124703001	CORD HOLDER, C
215	025350132	WASHER	250	102009051	CORD BUSH
216	048030346	STOP RING	251	060400616	SCREW
217	060400816	SCREW			
218	X55656051	ZIGZAG CONNECTING ROD ASSEMBLY			
219	X52156000	ROLLER			
220	048030346	STOP RING			
221	105433001	ECCENTRIC STUD			
222	124503002	SPRING			
223	X00139151	SUPPORTING PLATE			
224	120258051	SCREW			
225	021670102	NUT			
226	062670612	SCREW			
227	X53535151	ADJUSTING KNOB			
228	062660802	SCREW			
229	027030226	WASHER			
230	X53536051	NEEDLE POSITION KNOB			
231	062630816	SCREW			
232	124319000	WASHER			
233	025630132	WASHER			
234	X53977051	NEEDLE POSITION KNOB COVER			
235	X52412051	STITCH REGULATING DIAL SHAFT JOINT			
236	X55903051	UPPER TENSION ASSEMBLY			
237	X52419054	TENSION CONTROL KNOB PLATE			
238	X52441051	TENSION RELEASER			
239	X55600051	STUD SCREW			
240	X54520051	SCREW			
241	X52422151	ARM THREAD GUIDE			
242	062400816	SCREW			
243	130012053	SPOOL PRESSER A			
244	130013053	SPOOL PRESSER B			
245		SEW-LIGHT ASSEMBLY			

MODEL PRESTIGE 10



PRESTIGE 10 (882-618)

T1080087

Printed in Taiwan