

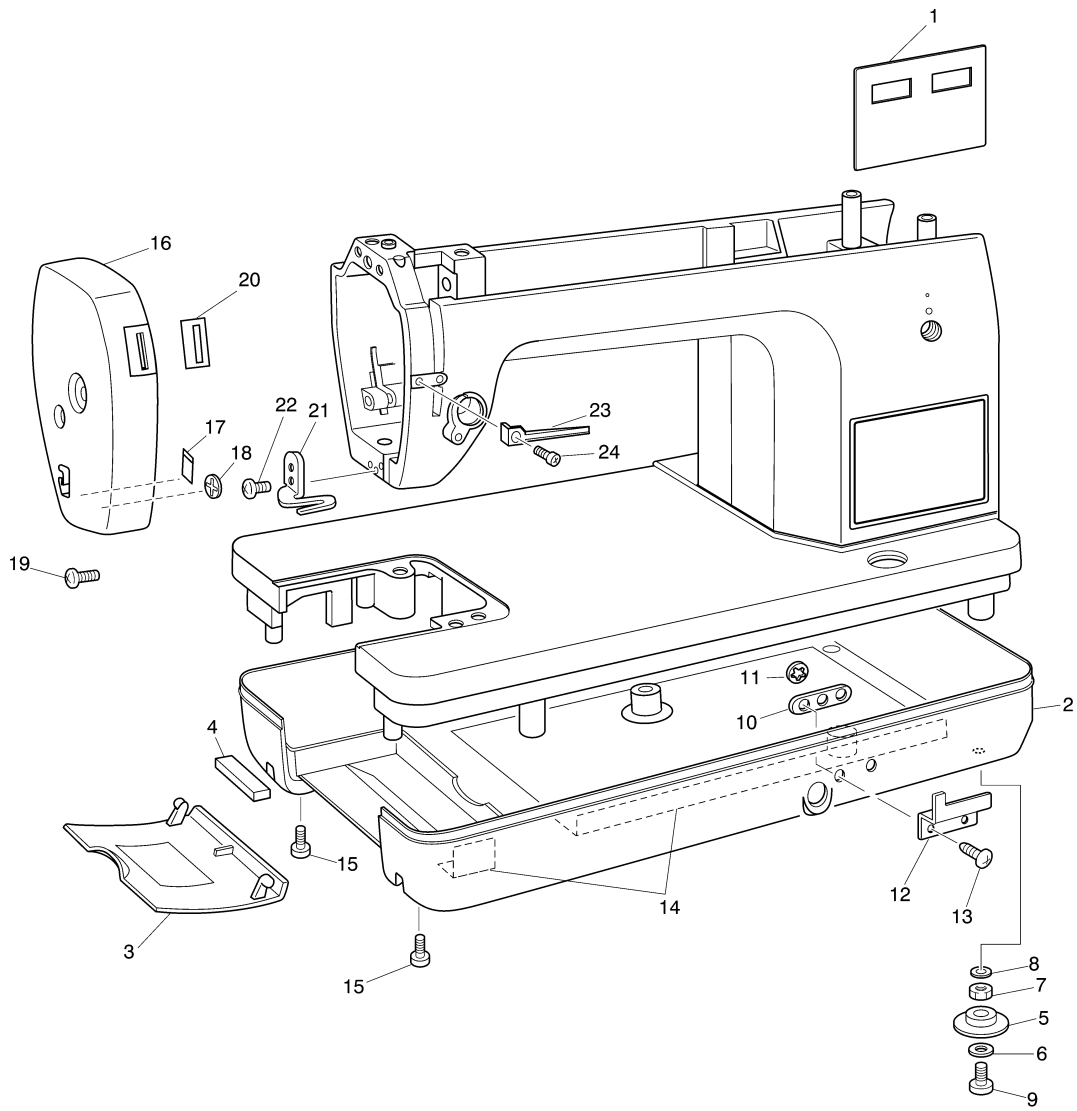
# PARTS CATALOGUE FOR SEWING MACHINE

PQ1300

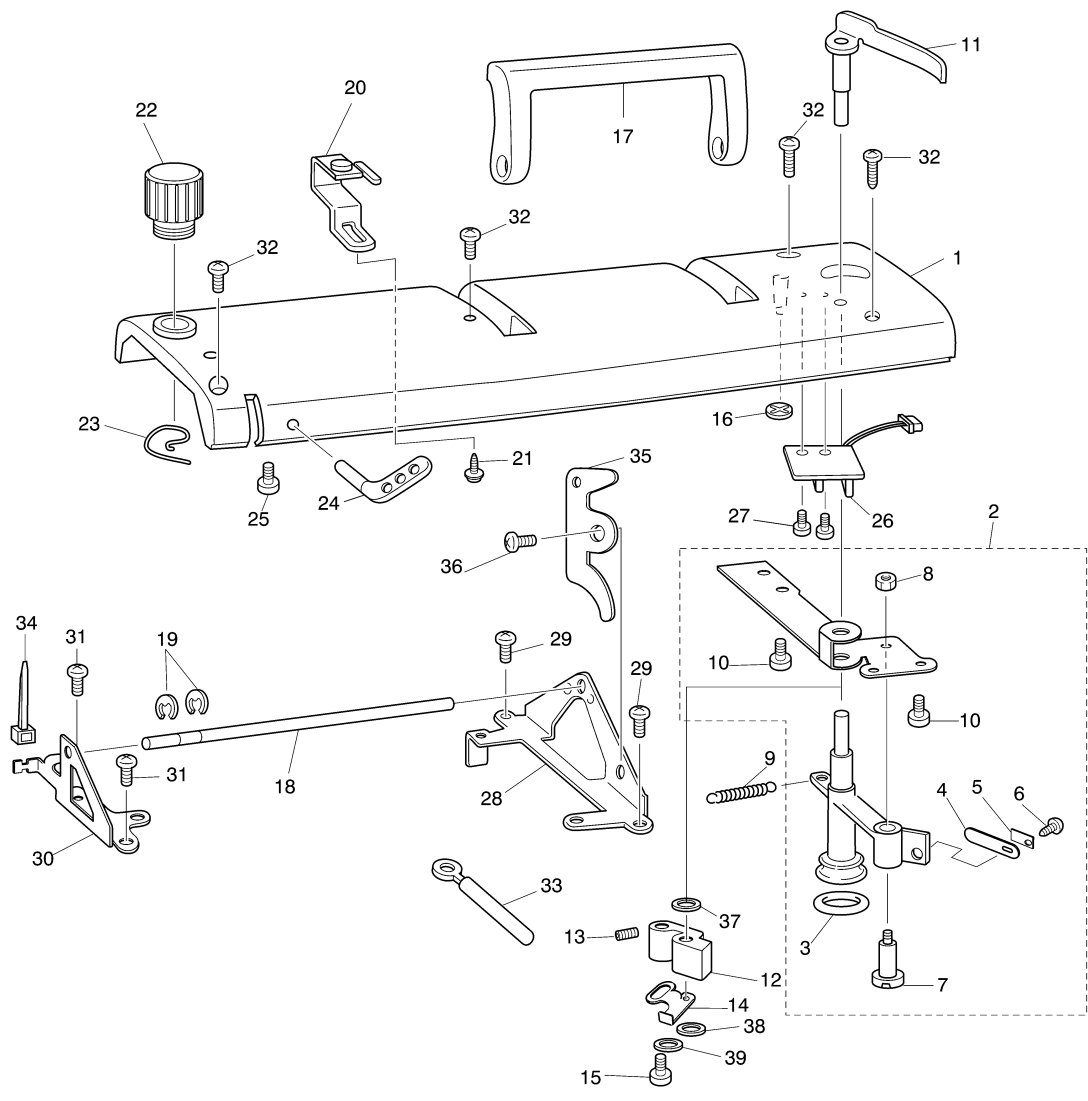
# CONTENTS

(1) PRINCIPAL PARTS .....	2
(2) TOP PLATE .....	4
(3) UPPER SHAFT AND NEEDLE BAR .....	6
(4) FEED MECHANISM .....	8
(5) ROTARY HOOK AND THREAD CUTTING .....	10
(6) LAMP, MAIN PC BOARD ASSY AND MOTOR UNIT .....	12
(7) ACCESSORY .....	14



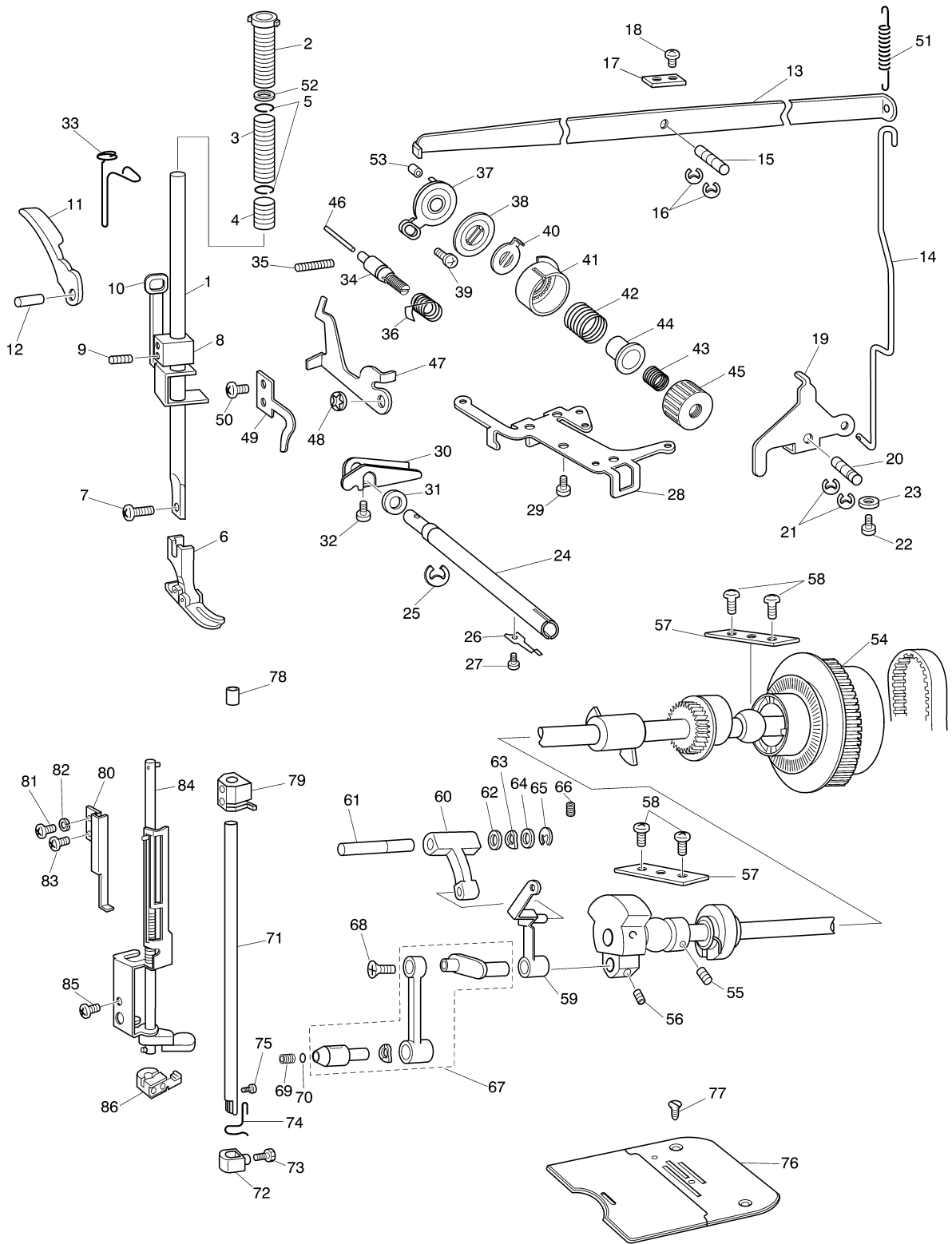






### (3) UPPER SHAFT AND NEEDLE BAR

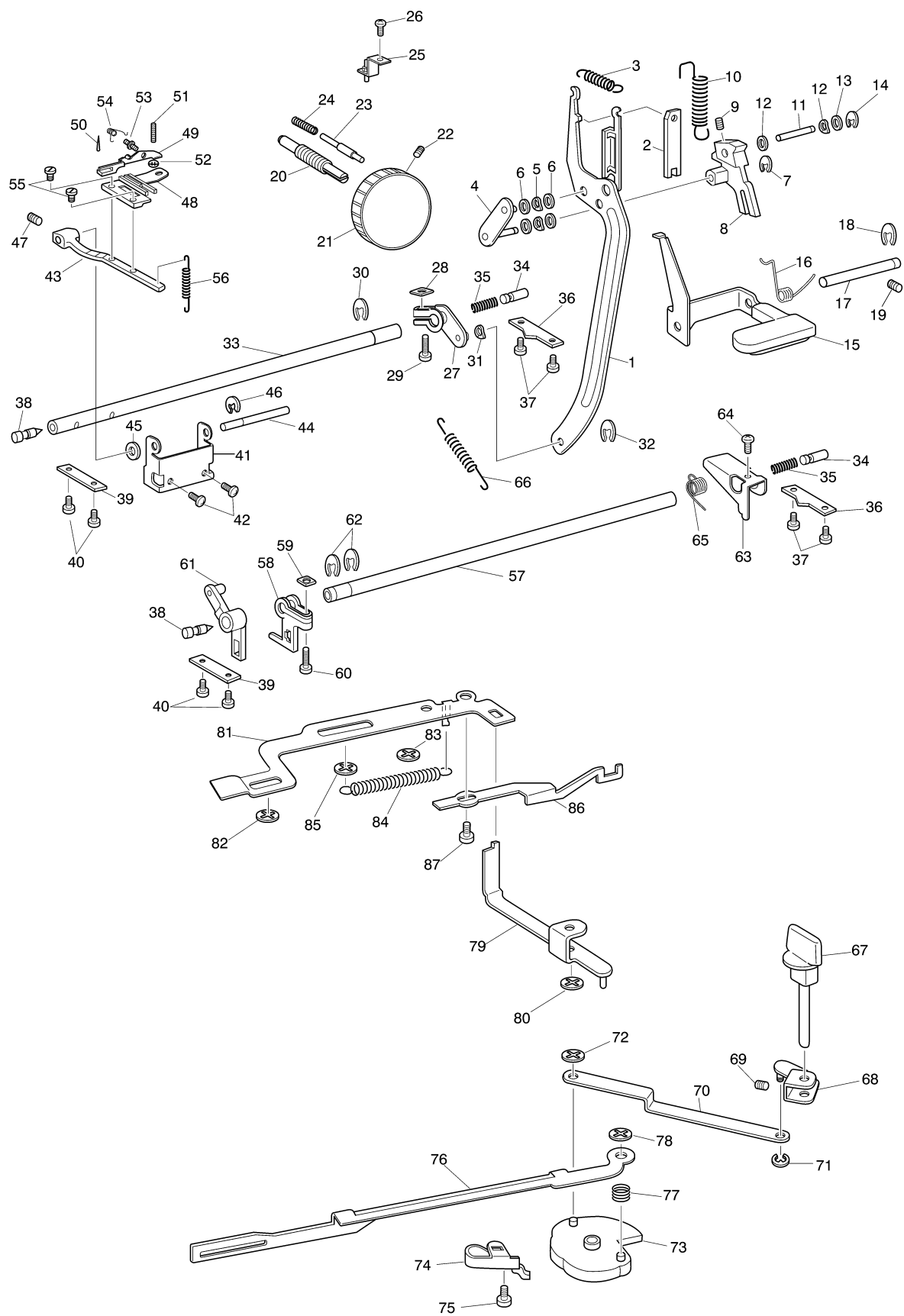
No.	CODE	NAME	REMARKS	No.	CODE	NAME	REMARKS
1	XA0737051	Presser bar		45	XA0864051	Tension dial	
2	XA0738000	Presser bar screw		46	XA0865050	Thread release pin	
3	XA1320051	Presser bar spring U		47	XA0687151	Thread release plate	
4	XA1321151	Presser bar spring D		48	146200001	Retaining ring CS4	
5	141099001	Ring wire		49	XA0868051	Tension thread guide	
6	136021001	Presser foot ASSY		50	X57908051	Taptite, Bind S M4x10	
7	060670814	Screw, Bind 3.57-40x8		51	XA0798051	Spring	
8	XA0739050	Presser bar bracket		52	131976050	Washer	
9	014060832	Set screw, Socket(CP)M6x8		53	XA2262001	Tube	
10	XA0740051	Presser bar lifter		54	XA0695351	Upper shaft ASSY	
11	X57848051	Presser foot lifter		55	014500832	Set screw, Socket(CP)M5x8	
12	XA0741051	Presser foot lifter stud		56	123006051	Set screw	
13	XA0742051	Knee lifting arm		57	XA0713051	Presser plate	
14	XA0743051	Knee lifter connecting rod		58	X57908051	Taptite, Bind S M4x10	
15	XA0744051	Knee lifting arm stud		59	XA0716151	Thread take-up lever	
16	048040346	Retaining ring, E4		60	XA1680000	Supporting lever	
17	X50532051	Plate		61	XA0718051	Supporting lever shaft	
18	X57908051	Taptite, Bind S M4x10		62	X53330000	Washer	
19	XA0745051	Knee lifter connecting plate		63	120265001	Washer, wave spring	
20	XA0746051	Knee lifter connecting plate stud		64	U09725001	Washer	
21	048040346	Retaining ring, E4		65	048060346	Retaining ring, E6	
22	X57908051	Taptite, Bind S M4x10		66	014400632	Set screw, Socket(CP)M4x6	
23	125324051	Washer		67	X80879001	Crank rod ASSY	
24	XA0747151	Knee lifter shaft		68	132051052	Screw, Flat 3.57L	
25	048070346	Retaining ring, E7		69	014680432	Set screw, Socket(CP)3.57-40x4	
26	125117051	Pin stopper		70	100507050	Metal plate	
27	125812001	Screw		71	XA0722351	Needle bar	
28	XA0748051	Knee lifter shaft bracket		72	X80880001	Needle clamp ASSY	
29	X57908051	Taptite, Bind S M4x10		73	118521001	Screw, Pan 3.57	
30	XA0749051	Knee lifter shaft arm		74	XA1777000	Needle bar thread guide	
31	131976050	Washer		75	062630612	Screw, Pan 2.38-56x6	
32	018401032	Set screw, Socket(CP)M4x10		76	XA6466051	Needle plate ASSY	
33	XA0750151	Indication rod		77	XA1120051	Screw	
34	XA0854151	Tension dial shaft		78	XA2177001	Felt	
35	X57950051	Set screw		79	XA0869050	Needle threader position setter	
36	XA0856251	Thread take-up spring		80	XA0870051	Needle threader position limiter	
37	XA0857001	Tension plate A		81	060300616	Screw, Bind M3x6	
38	XA0858001	Tension plate B		82	028030246	Washer, spring	
39	060400816	Screw, Bind M4x8		83	060300416	Screw, Bind M3x4	
40	XA0859051	Washer		84	XA0871051	Needle threader ASSY	
41	XA0860051	Tension dial case		85	060400616	Screw, Bind M4x6	
42	XA0861051	Tension spring A		86	XA0877101	Threader hook ASSY	
43	XA0862151	Tension spring B					
44	XA0863050	Tension spring sleeve					





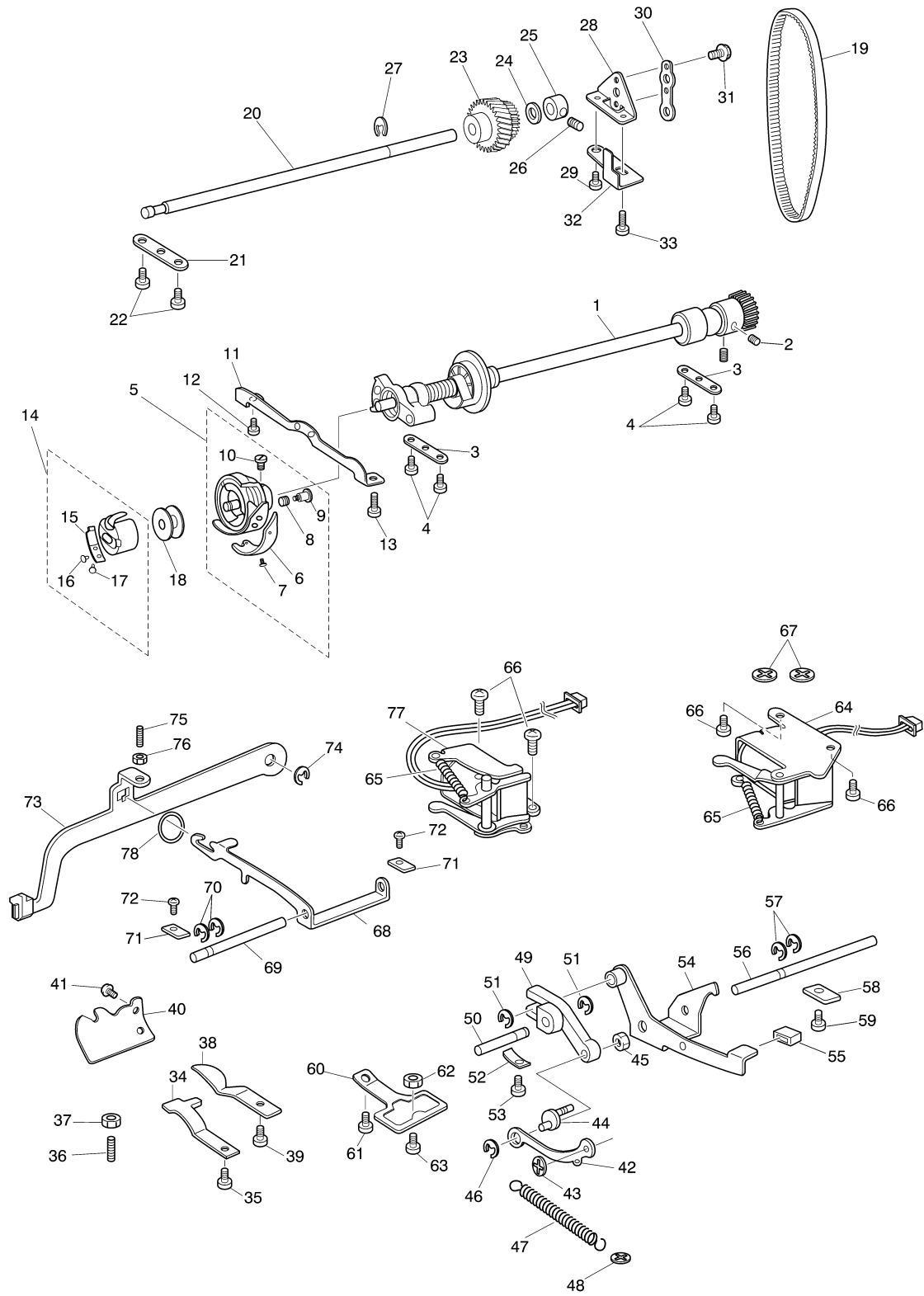
## (4) FEED MECHANISM

No.	CODE	NAME	REMARKS	No.	CODE	NAME	REMARKS
1	XA0751051	Feed rod ASSY		45	X50546000	Washer	
2	XA0755051	Feed rod supporting plate		46	048040346	Retaining ring, E4	
3	XA2178001	Spring		47	014500632	Set screw, Socket(CP)M5x6	
4	XA0757051	Feed link ASSY		48	XA0791001	Feed dog	
5	XA0889001	Washer, wave spring		49	XA0792001	Lower needle arm ASSY	
6	X50546000	Washer		50	136062001	Lower needle	
7	048050346	Retaining ring, E5		51	136063001	Lower needle adjusting screw	
8	XA1658150	Feed adjusting ASSY		52	405077001	Nut, 2.38	
9	014060832	Set screw, Socket(CP)M6x8		53	XA0795001	Stud screw, M1.6	
10	XA0763051	Spring		54	XA0796001	Lower needle arm spring	
11	XA0764051	Feed adjusting shaft		55	XA0797051	Screw, M3	
12	109239001	Washer, wave spring		56	XA0798051	Spring	
13	XA0765051	Washer		57	XA0799150	Vertical feed shaft	
14	048060346	Retaining ring, E6		58	XA0800051	Vertical feed adjusting lever	
15	XA0766051	Reverse stitching lever		59	X54384051	Nut, M4	
16	XA0769051	Reverse stitching spring		60	018401432	Set screw, Socket(CP)M4x14	
17	XA0770051	Reverse stitching lever shaft		61	XA0801051	Vertical feed arm ASSY	
18	048060346	Retaining ring, E6		62	048080346	Retaining ring, E8	
19	014400632	Set screw, Socket(CP)M4x6		63	XA0805051	Vertical feeding cam	
20	XA0771051	Feed adjusting screw		64	060401016	Screw, Bind M4x10	
21	XA0772051	Feed adjusting dial		65	XA0806051	Spring	
22	014400632	Set screw, Socket(CP)M4x6		66	XA2221001	Spring	
23	XA0774051	Plunger		67	XA0807051	Drop knob	
24	XA0775051	Spring, Compression		68	XA0809051	Drop lever	
25	XA0776051	Presser plate ASSY		69	014400832	Set screw, Socket(CP)M4x8	
26	060400616	Screw, Bind M4x6		70	XA0812051	Drop connecting rod	
27	XA0778051	Horizontal feed arm ASSY		71	048030346	Retaining ring, E3	
28	X54384051	Nut M4		72	146200001	Retaining ring CS4	
29	060401416	Screw, Bind M4x14		73	XA0813050	Lower needle cam	
30	048080346	Retaining ring, E8		74	XA0815051	Knot spring plate	
31	XA0889001	Washer, wave spring		75	060400616	Screw, Bind M4x6	
32	048050346	Retaining ring, E5		76	XA0816051	Vertical setting lever	
33	XA0781050	Horizontal feed shaft		77	XA0817051	Spring, Compression	
34	XA0782051	Support shaft		78	146200001	Retaining ring CS4	
35	XA0783051	Spring, Compression		79	XA0818051	Lower needle selecting rod	
36	XA0784051	Presser plate R		80	146200001	Retaining ring CS4	
37	060400816	Screw, Bind M4x8		81	XA0822051	Lower needle rod	
38	XA0785051	Taper point stud		82	120454001	Retaining ring CS4	
39	XA0786051	Presser plate L		83	146200001	Retaining ring CS4	
40	060400816	Screw, Bind M4x8		84	XA0823151	Spring	
41	XA0787051	Horizontal feed plate		85	146200001	Retaining ring CS4	
42	060401016	Screw, Bind M4x10		86	XA0824051	Lower needle UD rod	
43	XA0788050	Feed bar		87	060400416	Screw, Bind M4x4	
44	XA0789051	Feed bar shaft					

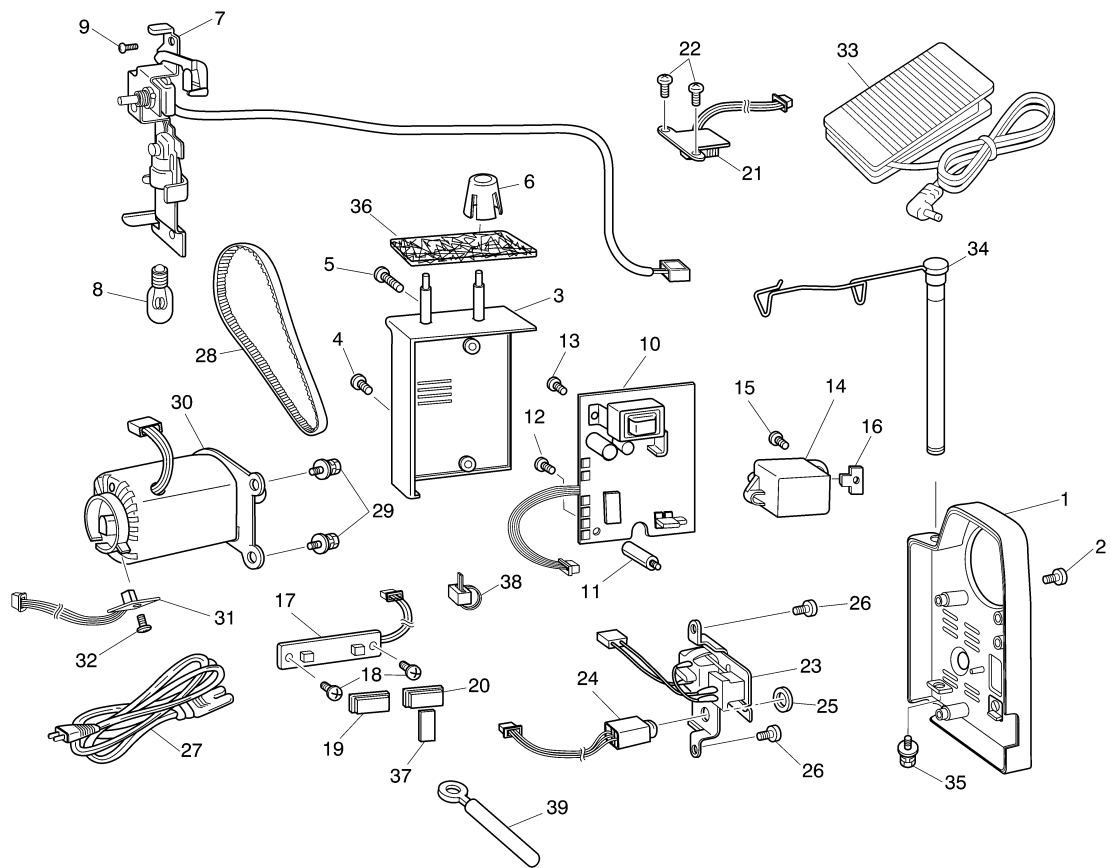


## (5) ROTARY HOOK AND THREAD CUTTING

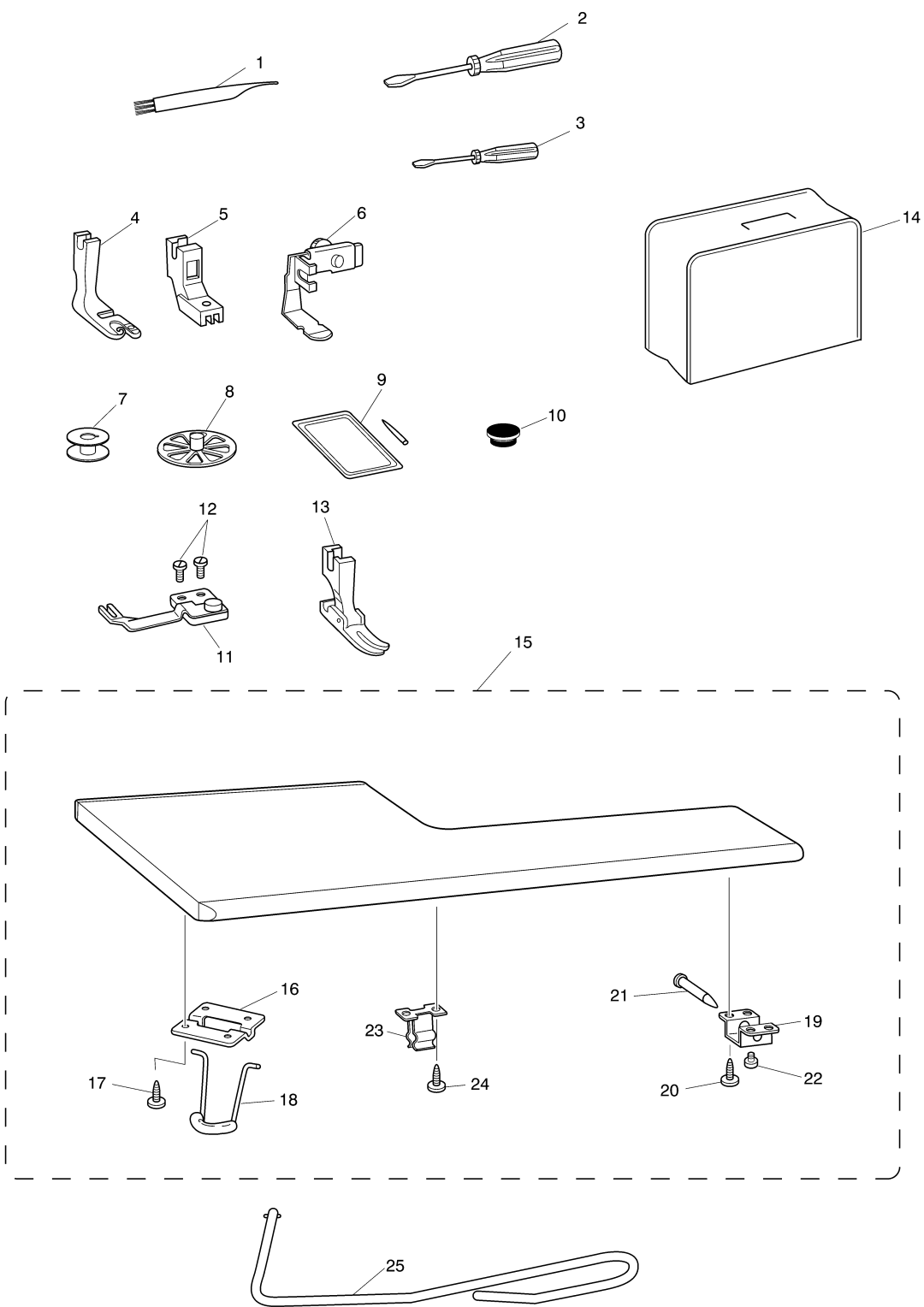
No.	CODE	NAME	REMARKS	No.	CODE	NAME	REMARKS
1	XA0831351	Lower shaft ASSY		45	021300306	Nut, 3 M3	
2	014060632	Set screw, Socket(CP)M6x6		46	048030346	Retaining ring, E3	
3	X57943051	Presser plate		47	XA0887001	Spring	
4	X57908051	Taptite, Bind S M4x10		48	146200001	Retaining ring CS4	
5	XA1208001	Rotary hook ASSY		49	XA0888150	Thread cutting lever	
6	184982001	Outer rotary hook plate		50	XA0890050	Thread cutting lever stud	
7	184983001	Screw, Pan 2.38		51	048050346	Retaining ring, E5	
8	184984001	Spring, Compression		52	XA0891051	Presser plate	
9	184985001	Stud screw 1.58		53	X57908051	Taptite, Bind S M4x10	
10	184986001	Screw 4.46		54	XA0892351	Thread cutter cam lever ASSY	
11	XA0842101	Inner rotary hook bracket ASSY		55	XA0896000	Rubber	
12	060401016	Screw, Bind M4x10		56	XA0897251	Thread cutter cam lever stud	
13	060401616	Screw, Bind M4x16		57	048060346	Retaining ring, E6	
14	S06573001	Bobbin case ASSY		58	X50532051	Presser plate	
15	183388001	Bobbin case tension plate		59	X57908051	Taptite, Bind S M4x10	
16	183389001	Tension setting screw		60	XA4065150	Dumping plate	
17	183390001	Screw		61	X57908051	Taptite, Bind S M4x10	
18	100376003	Bobbin		62	X56851051	Lock nut	
19	XA0847001	Timing belt 190XL-031		63	060401016	Screw, Bind M4x10	
20	XA0848050	Idle pulley shaft		64	XA0899251	Thread cutter solenoid ASSY	
21	X57943051	Presser plate		65	XA0905051	Spring	
22	X57908051	Taptite, Bind S M4x10		66	060400816	Screw, Bind M4x8	
23	XA0849050	Idle pulley		67	146200001	Retaining ring CS4	
24	X51383000	Washer		68	XA0908051	Tension release plate A	
25	137768151	Set collar		69	XA0909051	Tension release plate A stud	
26	014400432	Set screw, Socket(CP)M4x4		70	048040346	Retaining ring, E4	
27	048070346	Retaining ring, E7		71	X50532051	Presser plate	
28	XA0852051	Tension adjusting plate bracket		72	X57908051	Taptite, Bind S M4x10	
29	060401016	Screw, Bind M4x10		73	XA4375000	Tension release plate ASSY	
30	XA0853051	Tension adjusting plate		74	048040346	Retaining ring, E4	
31	0A4400806	Screw, Pan(S/P Washer)M4x8		75	011401212	Set screw, (FT)M4x12	
32	XA2451001	Belt guide D		76	X56960001	Nut, 3 M4	
33	060401216	Screw, Bind M4x12		77	XA0911151	Tension release solenoid ASSY	
34	XA0883001	Fixed blade		78	081010870	O ring S10	
35	062400616	Screw, Pan M4x6					
36	014400832	Set screw, Socket(CP)M4x8					
37	X56960001	Nut, 3 M4					
38	XA0884051	Thread supporting plate					
39	062400616	Screw, Pan M4x6					
40	XA0885001	Movable blade					
41	148537101	Screw 4.37					
42	XA3344051	Thread cutter rod					
43	146200001	Retaining ring CS4					
44	XA3343051	Movable blade adjusting screw					













PQ1300  
H8060127