

**brother**®

**Home Sewing Machine  
PARTS REFERENCE LIST**

**MODEL: PE780D/PE770  
NV750E/NV780D**

**MECHANISMS & ELECTRONICS**

# CONTENTS

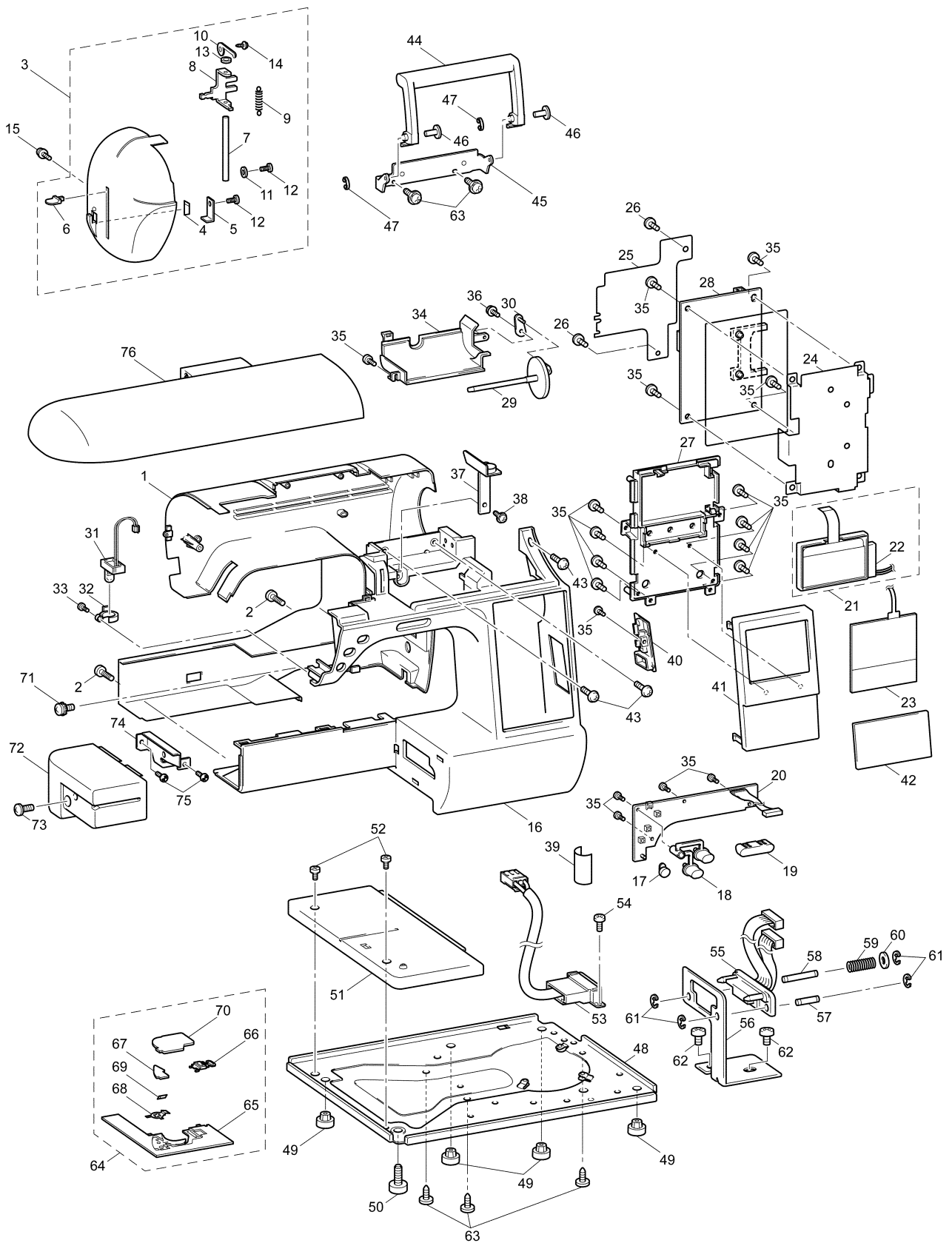
(1) PRINCIPAL PARTS.....	2
(2) UPPER SHAFT / NEEDLE BAR, PRESSER MECHANISM ....	4
(3) FEED, ROTARY HOOK / THREAD CUTTING MECHANISM ....	6
(4) ROTARY HOOK DRIVE / BOBBIN WINDER MECHANISM ....	8
(5) THREAD GUIDE MECHANISM.....	10
(6) ELECTRONIC PARTS / MOTOR UNIT .....	12
(7) EMBROIDERY UNIT .....	14
(8) ATTACHMENTS / PRINTED MATTER / PACKING MATERIALS ....	16
NEEDLE-PRESSER MODULE.....	18
FEED MODULE .....	20
THREAD CUTTER MODULE .....	22

**Note on parts:**

We keep performance parts for this sewing machine for at least 8 years after this model is discontinued. Performance parts are the necessary parts to maintain the function of the sewing machine.

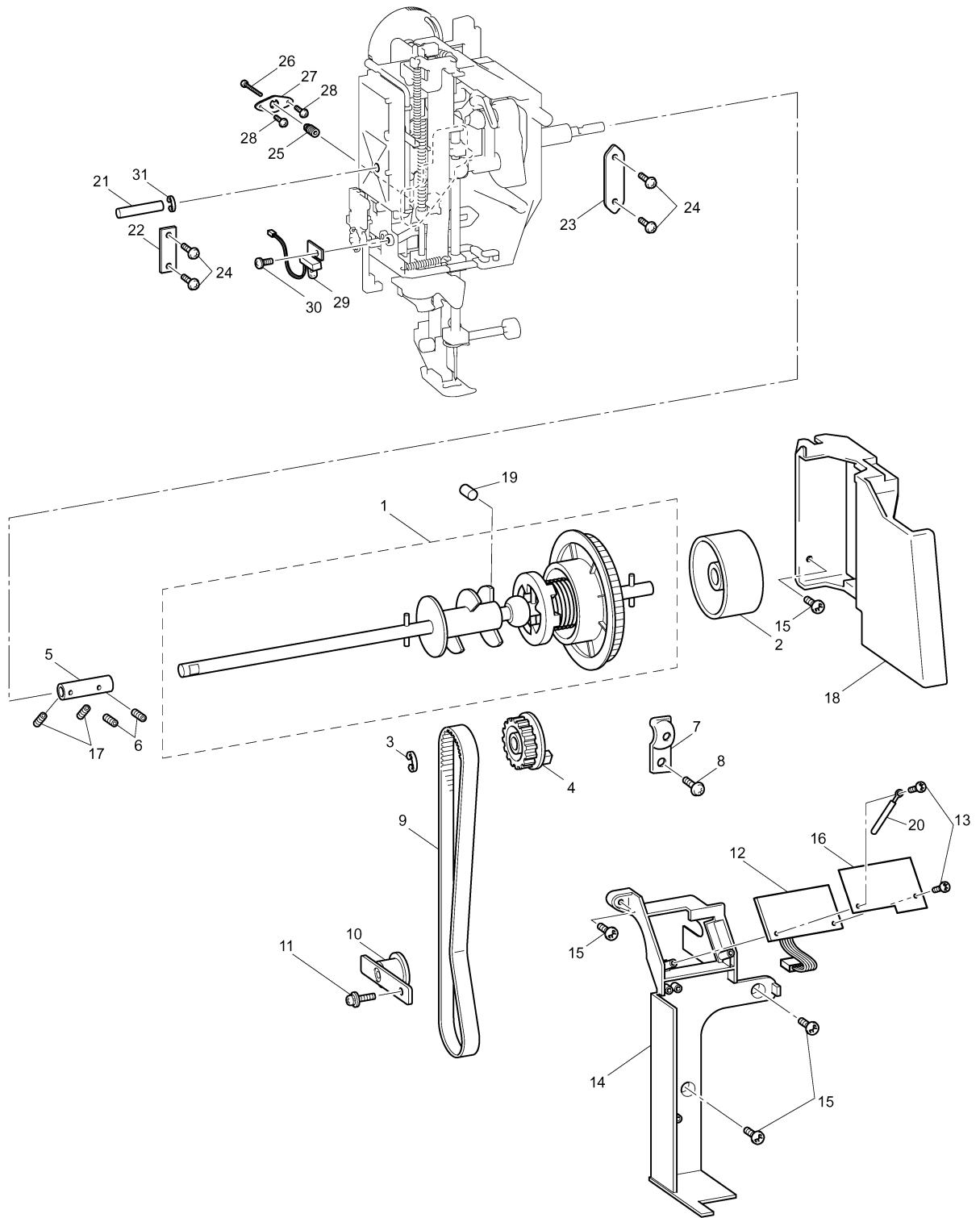
## (1) PRINCIPAL PARTS

No.	CODE	NAME	REMARKS	No.	CODE	NAME	REMARKS
1	XD1593051	REAR COVER ASSY		42	XD0349162	PANEL PLATE (PE780D)	
2	060400816	SCREW, BIND M4X8			XD0349165	PANEL PLATE (PE770)	
3	XD1596151	FACE PLATE (OTHER)			XD0349163	PANEL PLATE (NV750E)	
	XC9793151	FACE PLATE (NV750E)			XD0349168	PANEL PLATE (NV780D)	1000017301
4	X80321021	NT LOWER THREAD CUTTER		43	085411416	TAPTITE, BIND B M4X14	
5	XC9682051	FACE PLATE CUTTER HOLDER		44	XC2348051	HANDLE	
6	XC9604051	NEEDLE THREAD LEVER KNOB		45	XC9696051	HANDLE HOLDER	
7	XA5825051	NEEDLE THREAD LEVER SHAFT		46	XC2350051	HANDLE SHAFT	
8	XC9683051	NEEDLE THREAD LEVER		47	048040346	RETAINING RING, E4	
9	138260051	THREAD THROUGH LEVER SPRING		48	XC6818151	BASE PLATE	
10	XZ0406050	SHAFT PRESSER PLATE		49	XA1805021	BASE RUBBER A	
11	XE5212001	WASHER, PLAIN		50	XE1973001	ADJUSTING SCREW ASSY	
12	138433021	TAPTITE, PAN B M3X6		51	XC9589051	BASE PLATE COVER	
13	XC0508020	RUBBER WASHER		52	060300516	SCREW, BIND M3X5	
14	X59629021	TAPTITE, BIND B M3X10		53	XE0358001	INLET ASSY US2 (USA, CAN)	
15	XC7568051	SCREW PAN (S/P WASHER) M4X14			XC4417051	INLET ASSY: F1D-EU (NV750E, PE770: OTHER PE780D: OTHER NV780D)	
16	XD1599151	FRONT COVER		54	060400616	SCREW BIND M4X6	
17	XC9600052	SS-BUTTON		55	XD0351051	LEAD WIRE ASSY MAIN BODY FCOMB	
18	XC9601052	REVERSE BUTTON		56	XD0352051	CONNECTOR HOLDER F-US	
19	XD1601051	SV COVER		57	XD0353051	ES PIN F-A	
20	XD1602051	PCB ASSY SS F-EM		58	XD0945051	ES PIN F-B	
21	XD0830051	LCD SUPPLY ASSY		59	XD0967051	SPRING, COMPRESSION	
22	XD0334051	BACK LIGHT PCB ASSY		60	XC2514021	FEED BAR SPACER	
23	XD0338057	ASSY: TOUCH PANEL (OTHER)		61	048020346	RETAINING RING E2	
	XD0338061	ASSY: TOUCH PANEL (NV750E)		62	062400612	SCREW PAN M4X6	
24	XD0340051	BOARD PLATE		63	X57908021	TAPTITE, BIND S M4X10	
25	XD0331051	BOARD PLATE UPPER		64	XD0354251	NEEDLE PLATE B ASSY	
26	060300516	SCREW BIND M3X5		65	XD0355251	NEEDLE PLATE B	
27	XD0341051	MAIN PCB HOLDER		66	XC7371022	SLIDE BUTTON	
28	XE6292001	MAIN PCB SUPPLY ASSY-M (OTHER)		67	XD1666052	CUTTER COVER	
	XE6293001	MAIN PCB SUPPLY ASSY-B (PE770, NV750E)		68	XD1461051	NEEDLE PLATE COVER SPRING	
29	XA1786053	SPOOL PIN		69	X80321021	NT LOWER THREAD CUTTER	
30	XC9690051	SPOOL PIN HOLDER ASSY		70	XD1645021	NEEDLE PLATE COVER SUPPLY ASSY	
31	XE6360001	PCB UNIT: LED LAMP-FR		71	XC4433051	SCREW, PAN (T WASHER) M3X6	
32	XC7081051	LAMP HOLDER SUPPORTER		72	XC9588251	FREE ARM COVER	
33	X57372051	TAPTITE, PAN P M2.6X8		73	XC7566051	SCREW, PAN (S/P WASHER) M4X8	
34	XC9591051	THREAD BOBBIN COVER		74	XC9746151	FREE ARM PLATE	
35	136681021	TAPTITE, BIND B M3X8		75	060400616	SCREW BIND M4X6	
36	087311015	TAPTITE, CUP B M3X10		76	XD0356069	TOP COVER (PE780D, NV780D)	
37	XC9693451	BOBBIN WINDER GUIDE ASSY			XD0356070	TOP COVER (PE770)	
38	XA8390021	SCREW			XC9587063	TOP COVER (NV750E)	
39	XZ0143050	SSVR INSULATION SHEET					
40	XE6312001	CARD COVER					
41	XD0347157	INDICATION PLATE (OTHER)					
	XD0347151	INDICATION PLATE (PE770, NV750E)					

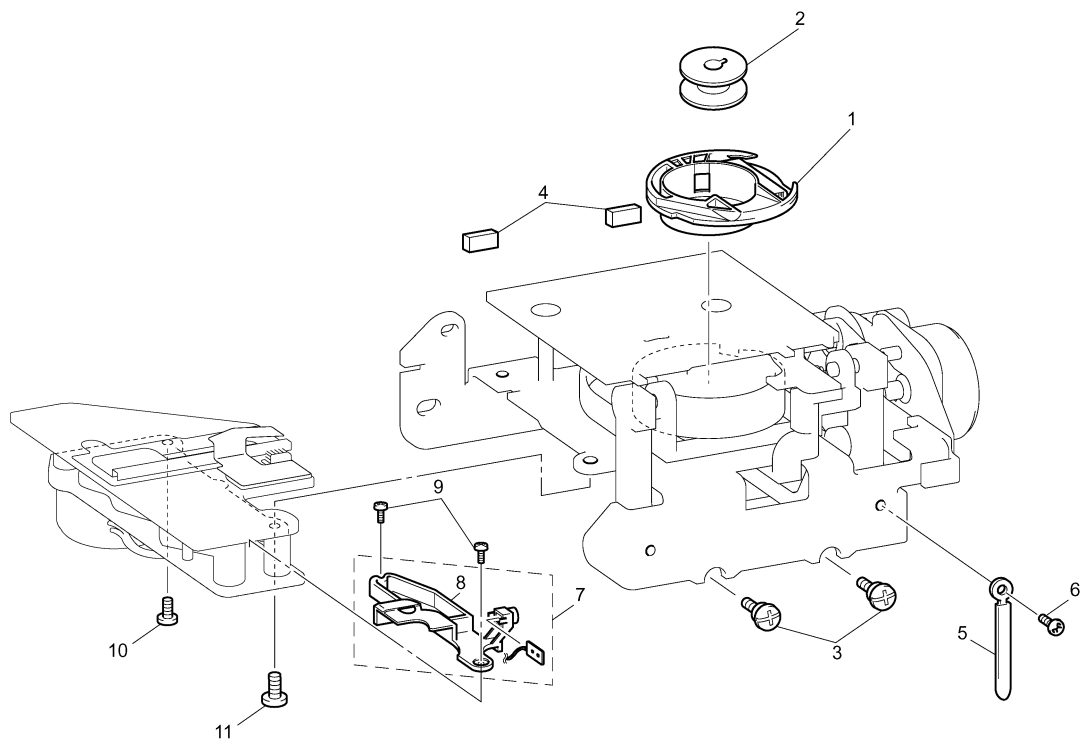


## (2) UPPER SHAFT / NEEDLE BAR, PRESSER MECHANISM

No.	CODE	NAME	REMARKS
UPPER SHAFT MECHANISM			
1	XC3246151	UPPER SHAFT ASSY	
2	XC2375051	PULLEY	
3	048060346	RETAINING RING, E6	
4	XC2380020	UPPER SHAFT PULLEY	
5	XC2383021	FIXED JOINT	
6	012500532	SET SCREW, SOCKET (FT) M5X5	
7	132421021	BUSHING PRESSER	
8	X57908021	TAPTITE, BIND S M4X10	
9	XC2384051	TIMING BELT 420-5GT-6	
10	XC2385051	TENSION PULLEY ASSEMBLY	
11	138172021	SCREW, PAN(S/P WASHER)M4X10	
12	XD0362051	NP PCB ASSY FCOM	
13	X59629021	TAPTITE, BIND B M3X10	
14	XC2390251	PCB HOLDER	
15	060400816	SCREW, BIND M4X8	
16	XC3028051	INSULATION SHEET	
17	014400432	SET SCREW, SOCKET (CP) M4X4	
18	XD0587051	BELT GUARD	
19	XC3183051	FELT	
20	137947001	CLIP	
NEEDLE BAR, PRESSER MECHANISM			
21	XC2503051	SHAFT	
22	XC2297051	PRESSER PLATE A	
23	XC2298051	PRESSER PLATE B	
24	X57908021	TAPTITE, BIND S M4X10	
25	XC2504050	ADJUSTING SCREW	
26	XZ0380051	SCREW, PAN (WASHER) M3X18	
27	XC2505050	PLATE SPRING	
28	060400516	SCREW, BIND M4X5	
29	XE6361001	PCB UNIT: LED LAMP-FL	
30	XZ0149021	TAPTITE, PAN B 4X12	
31	048050346	RETAINING RING, E5	



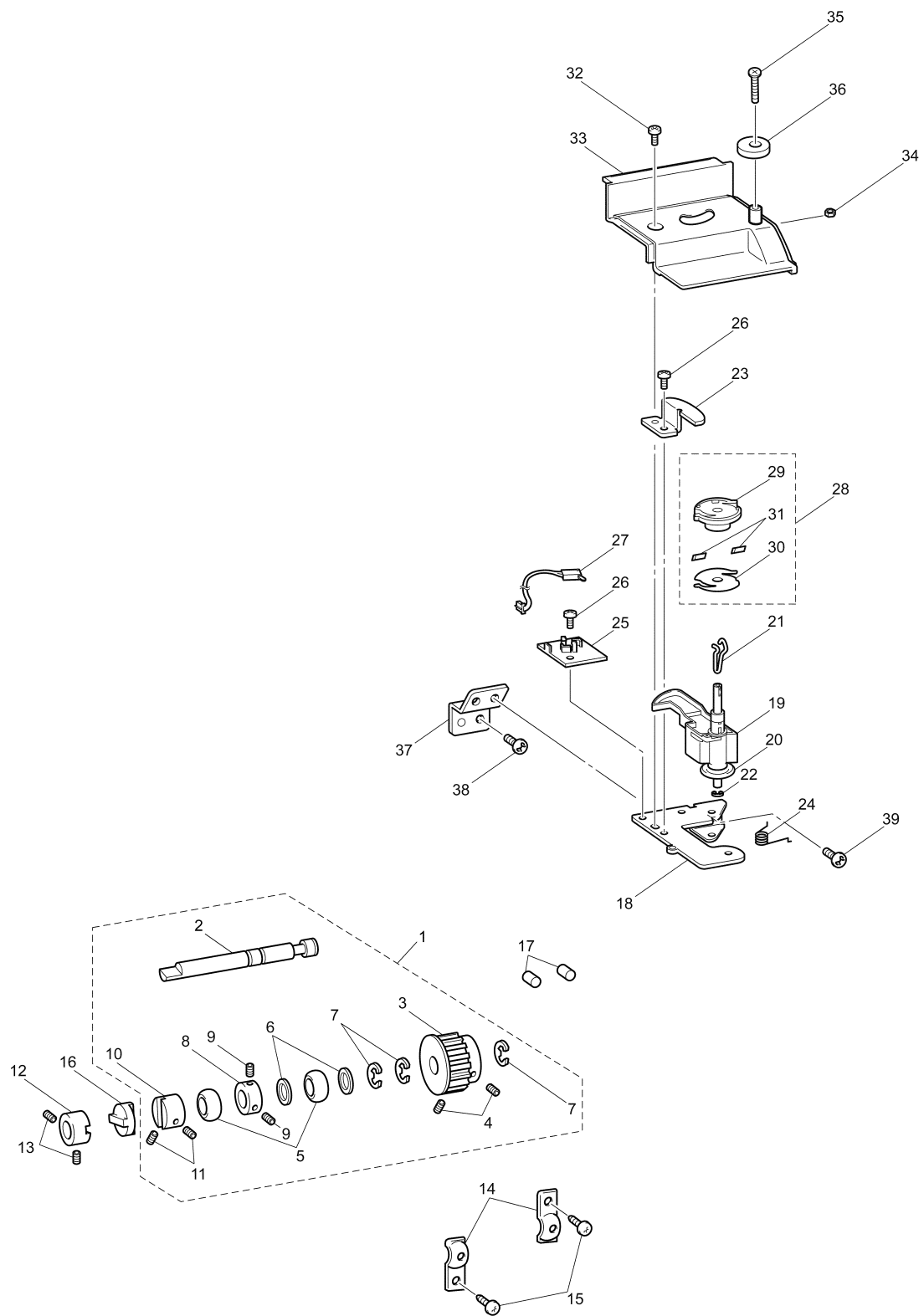






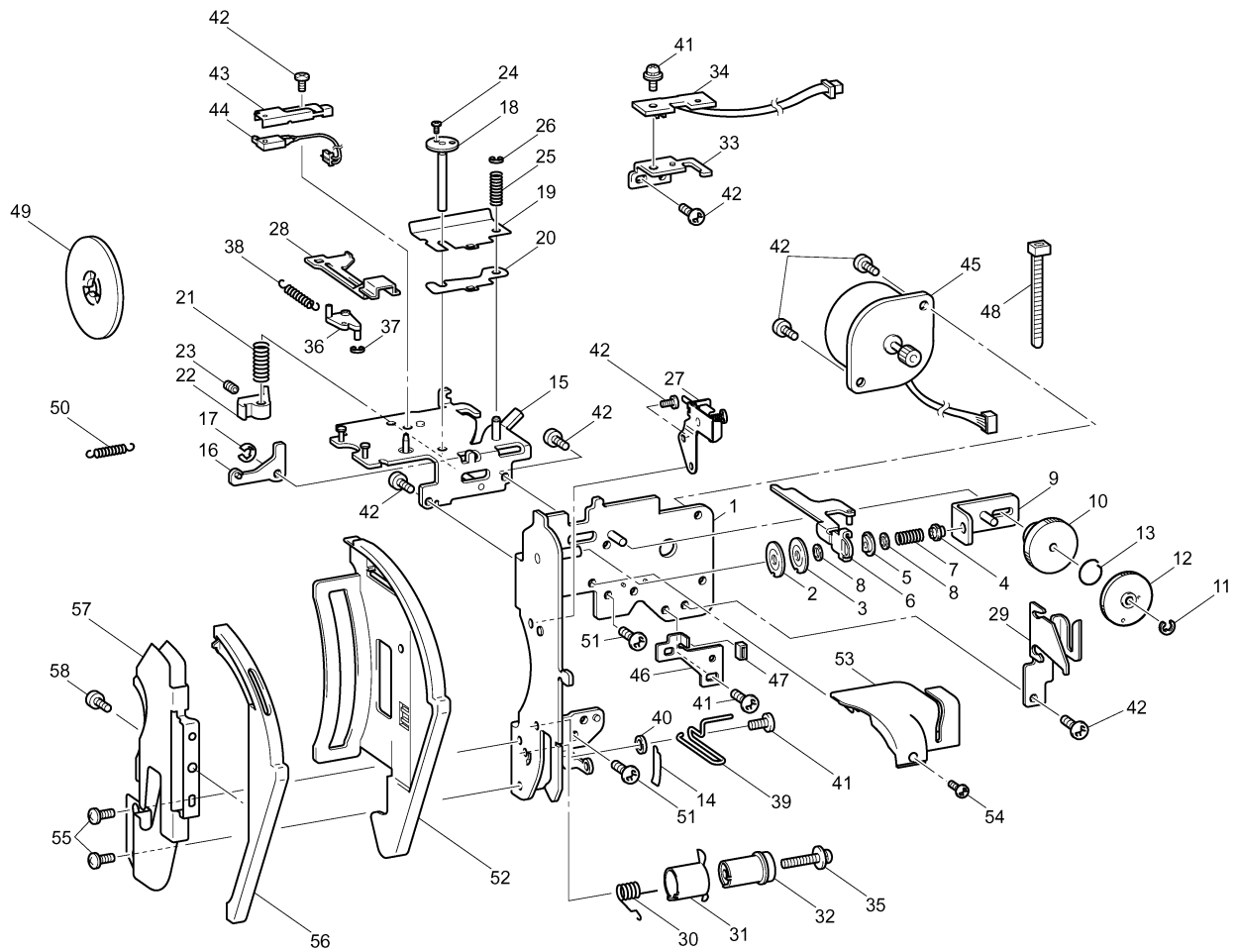
## (4) ROTARY HOOK DRIVE / BOBBIN WINDER MECHANISM

No.	CODE	NAME	REMARKS
ROTARY HOOK DRIVE MECHANISM			
1	XC2599021	LOWER SHAFT A ASSY	
2	XC2600050	LOWER SHAFT A	
3	XC4943021	TIMING PULLEY D	
4	014500532	SET SCREW, SOCKET (CP) M5X5	
5	X52664020	LOWER SHAFT BUSHING	
6	X51383020	WASHER, THRUST	
7	048060346	RETAINING RING, E6	
8	137768121	SET SCREW COLLAR	
9	014400432	SET SCREW, SOCKET (CP) M4X4	
10	XC2602021	JOINT	
11	012500532	SET SCREW, SOCKET (FT) M5X5	
12	XC2602021	JOINT	
13	012500532	SET SCREW, SOCKET (FT) M5X5	
14	132421021	BUSHING PRESSER	
15	X57908021	TAPTITE, BIND S M4X10	
16	XC2603050	DISK	
17	XC3183051	FELT	
BOBBIN WINDER MECHANISM			
18	XC2605051	BOBBIN WINDER ASSEMBLY HOLDER	
19	XC2606251	BW SHAFT HOLDER ASSEMBLY	
20	X55238021	RUBBER RING	
21	XZ5039001	BOBBIN WINDER SHAFT SPRING	
22	048050343	RETAINING RING, E5	
23	XA2862021	BOBBIN WINDER SHAFT STOPPER	
24	X59939021	BOBBIN WINDER SPRING	
25	XC2614021	SW ADJUST PLATE	
26	060300616	SCREW, BIND M3X6	
27	XC2612051	SW ASSY: BW-F	
28	XC4672051	BOBBIN BASE ASSY	
29	XC2616051	BOBBIN BASE	
30	XA5877021	BOBBIN THREAD CUTTER HOLDER	
31	X80321021	NT LOWER THREAD CUTTER	
32	XA8390021	SCREW	
33	XC9590051	BOBBIN WINDER COVER	
34	021300205	NUT 2 M3	
35	0A4302506	SCREW PAN (S/P WASHER) M3X25	
36	XC4517051	BOBBIN PRESSER	
37	XC2615051	BW HOLDER SUPPORTER	
38	X57908021	TAPTITE, BIND S M4X10	
39	060400816	SCREW, BIND M4X8	



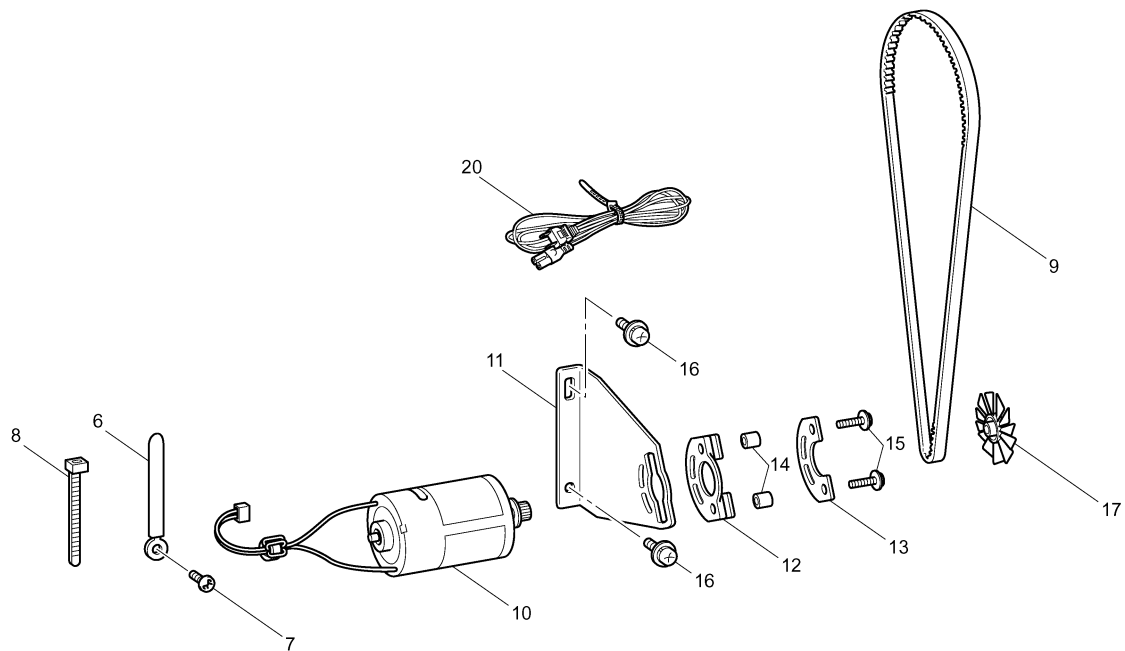
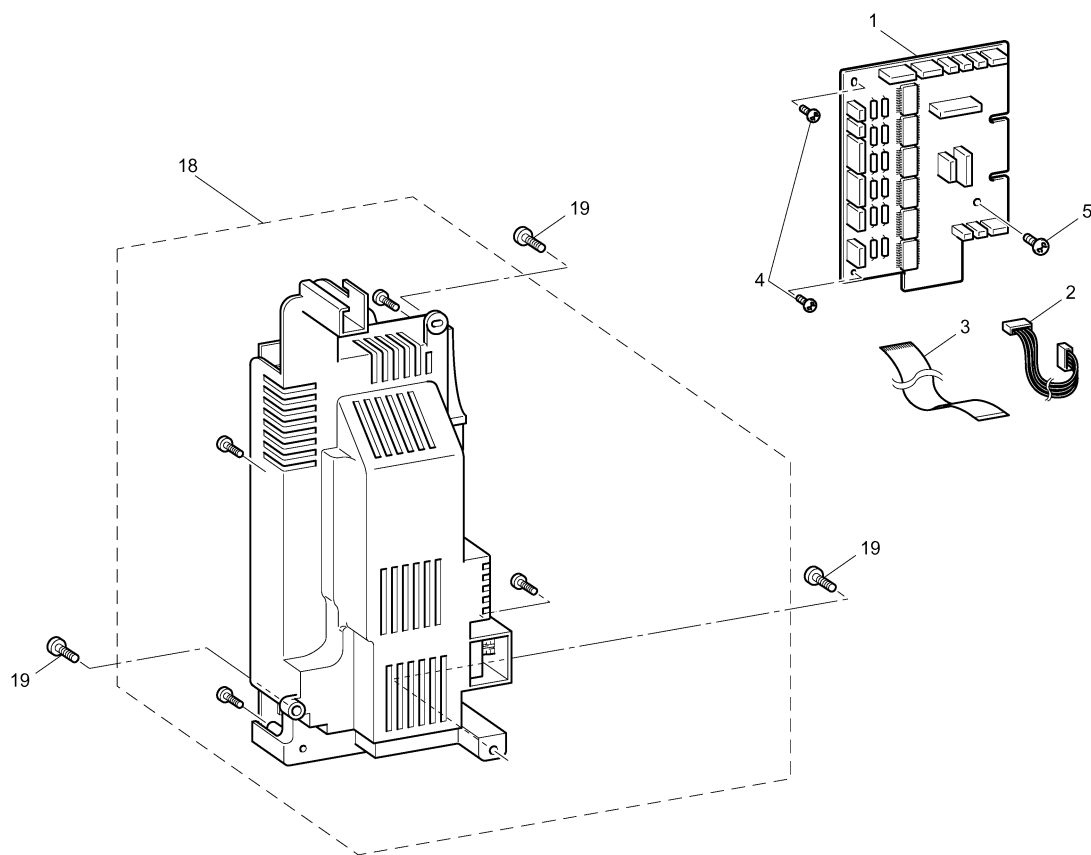
## (5) THREAD GUIDE MECHANISM

No.	CODE	NAME	REMARKS	No.	CODE	NAME	REMARKS
1	XC2624351	THREAD GUARD ASSEMBLY		45	XC4407021	MOTOR, PULSE: AT SMJ35-4840-D	
2	XA0083121	TENSION DISC A		46	XC4484051	INITIAL ADJUSTING PLATE	
3	XC2626121	TENSION DISC B		47	XC3253051	RUBBER	
4	XC3437051	TENSION ADJUSTING SCREW		48	X53169020	BAND	
5	XA1388021	TENSION DISC WASHER		49	XE1372001	SPOOL PRESSER C	
6	XC2627051	TENSION RELEASE PLATE ASSY		50	XA9787051	SPRING	
7	XA9900051	THREAD TENSIONSPRING		51	085411015	TAPTITE, BIND B M4X10	
8	XD0573021	WASHER		52	XD0384151	THREAD GUARD COVER (PE780D, PE770, NV780D)	
9	XA9562051	TENSION PLATE ASSY			XC9593151	THREAD GUARD COVER (NV750E)	
10	XZ0171051	THREAD TENSIONCAM		53	XD0386051	FRONT THREAD GUARD COVER	
11	048030346	RETAINING RING, E3		54	060300416	SCREW, BIND M3X4	
12	XZ0170051	THREAD TENSION GEAR COVER		55	XC7564021	SCREW, PAN (S/P WASHER) M3X6	
13	X56323021	SPRING		56	XD0389051	THREAD GUIDE COVER (PE780D, PE770, NV780D)	
14	XA9935050	SPRING TAPE			XC9594051	THREAD GUIDE COVER (NV750E)	
15	XC2635151	TENSION RELEASE HOLDER ASSY		57	XC9745151	THREAD GUIDE	
16	XA9571051	TENSION RELEASERLINK		58	X59629021	TAPTITE, BIND B M3X10	
17	048030346	RETAINING RING, E3					
18	XC2638151	TENSION PRESSURE ASSY					
19	XA9575051	TENSION PLATE					
20	XA9576051	SPACER					
21	XA9577051	SPRING					
22	XC2640051	TENSION RELEASE CAM					
23	012300432	SET SCREW, SOCKET (FT) M3X4					
24	X57363051	POWER LOCK 2X3					
25	X57605051	SPRING					
26	048020346	RETAINING RING, E2					
27	XC2644051	PLATE ASSEMBLY					
28	XC9740051	THREAD GUIDE SHUTTER					
29	XC2749051	THREAD GUIDE					
30	XC6957121	THREAD TAKE UP SPRING					
31	XE5731001	THREAD CUTTING SHUTTER					
32	XD0377151	THREAD CATCHING SPRING CASE FE					
33	XD0379051	THREAD SENSOR HOLDER FE					
34	XD0380051	UPTHREAD PCB ASSY FCOM					
35	0A4302006	SCREW PAN (S/P WASHER) M3X20					
36	XC2649050	THREAD GUIDE SHUTTER LINK					
37	048030346	RETAINING RING, E3					
38	XC2650051	SPRING					
39	XD0383050	THREAD GUIDE WIRE FE					
40	XA9996051	WASHER, PLAIN					
41	XC7564051	SCREW, PAN (S/P WASHER) M3X6					
42	060300416	SCREW, BIND M3X4					
43	XC2641051	PRESSER SWITCH HOLDER					
44	XC2642051	SW ASSY: PF-F					



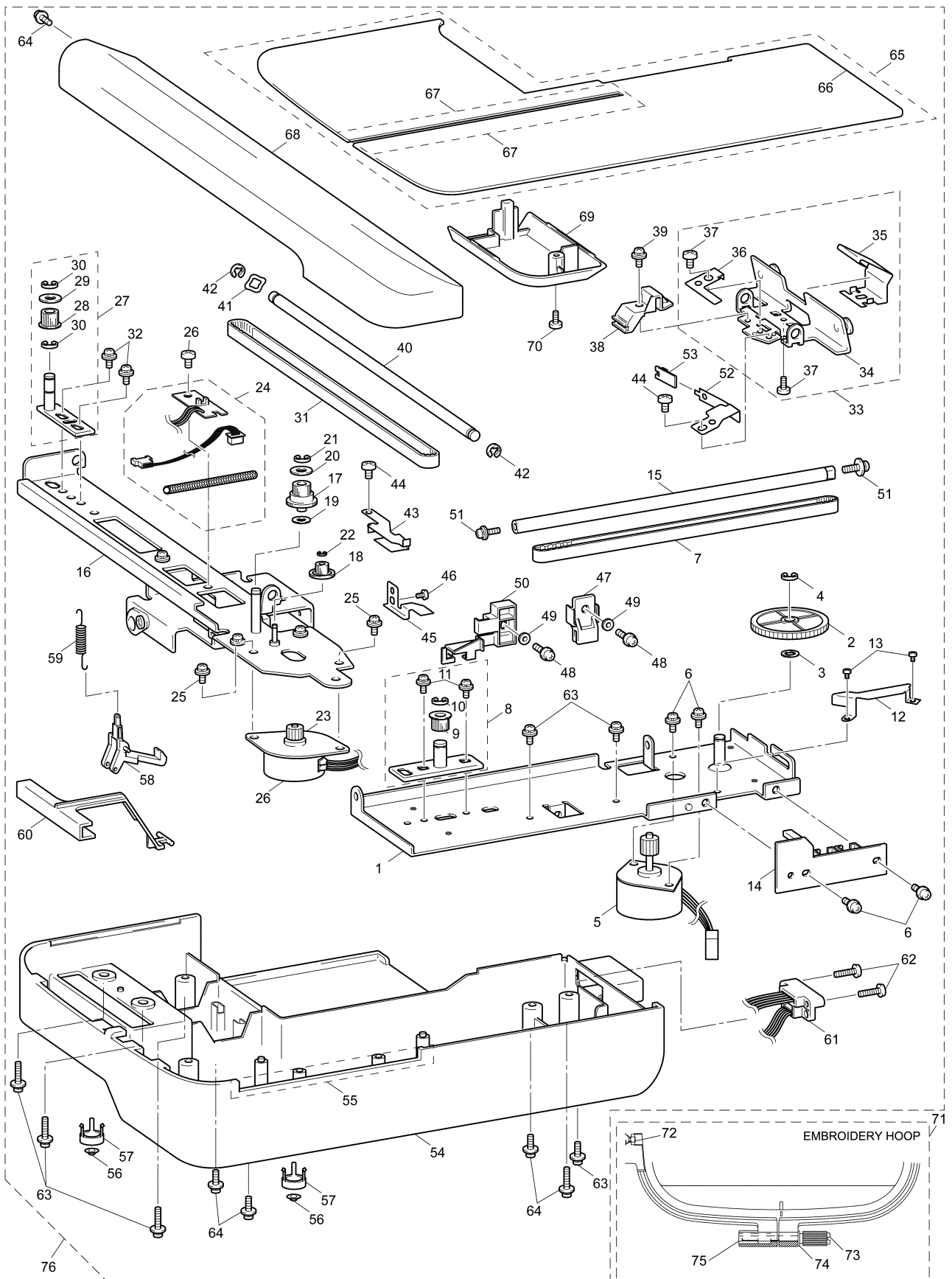
## (6) ELECTRONIC PARTS / MOTOR UNIT

No.	CODE	NAME	REMARKS
ELECTRONIC PARTS			
1	XD1977151	MOTOR PCB SUPPLY ASSY	
2	XD0394051	LEAD WIRE ASSY POWER	
3	XD0395051	FFC: UL2896SFBNCD-P0.5-L1-50	
4	136681021	TAPTITE, BIND B M3X8	
5	060400816	SCREW, BIND M4X8	
6	XA0286021	WIRE CLIP	
7	X57908021	TAPTITE, BIND S M4X10	
8	X53169020	BAND	
MOTOR UNIT			
9	XC2685051	T BELT494-2GT-6	
10	XC2687051	ASSY: MAIN MOTOR-F	
11	XC2690051	MOTOR HOLDER	
12	XA9649050	FENDER RUBBER	
13	XA9650051	MOTOR SPACER PRESSER	
14	XC3027051	SPACER 4X6	
15	XC7568051	SCREW, PAN (S/P WASHER) M4X14	
16	XA8474021	UPSET 4X12 DB	
17	XA9652150	MOTOR FAN	
POWER SUPPLY UNIT			
18	XE6371001	POWER SUPPLY UNIT F120EM (120V) (PE770: USA, BRA, PE780D: USA, BRA)	
	XE6372001	POWER SUPPLY UNIT F230EM (230V) (NV750E, PE770: OTHER, PE780D: OTHER, NV780D)	
19	XC7568051	SCREW, PAN (S/P WASHER) M4X14	
20	XC6052021	POWER SUPPLY CORD: UL CSA-LF (PE780D: USA, PE770: USA)	
	X59354121	POWER SUPPLY CORD -BS (NV750E: UK)	
	XA0070121	POWER SUPPLY CORD (NV750E: OTHER, PE770: OTHER, PE780D: OTHER)	
	XD0111151	POWER SUPPLY CORD: IRAM (ARG)	1000015107
	XE3210001	POWER SUPPLY CORD: BRZ (BRA: 120V)	1000015107
	XE4301001	POWER SUPPLY CORD: BRZ 220V (BRA: 220V)	1000015107
	XC9548021	POWER SUPPLY CORD:SAA-LF (NV780D)	1000017301



## (7) EMBROIDERY UNIT

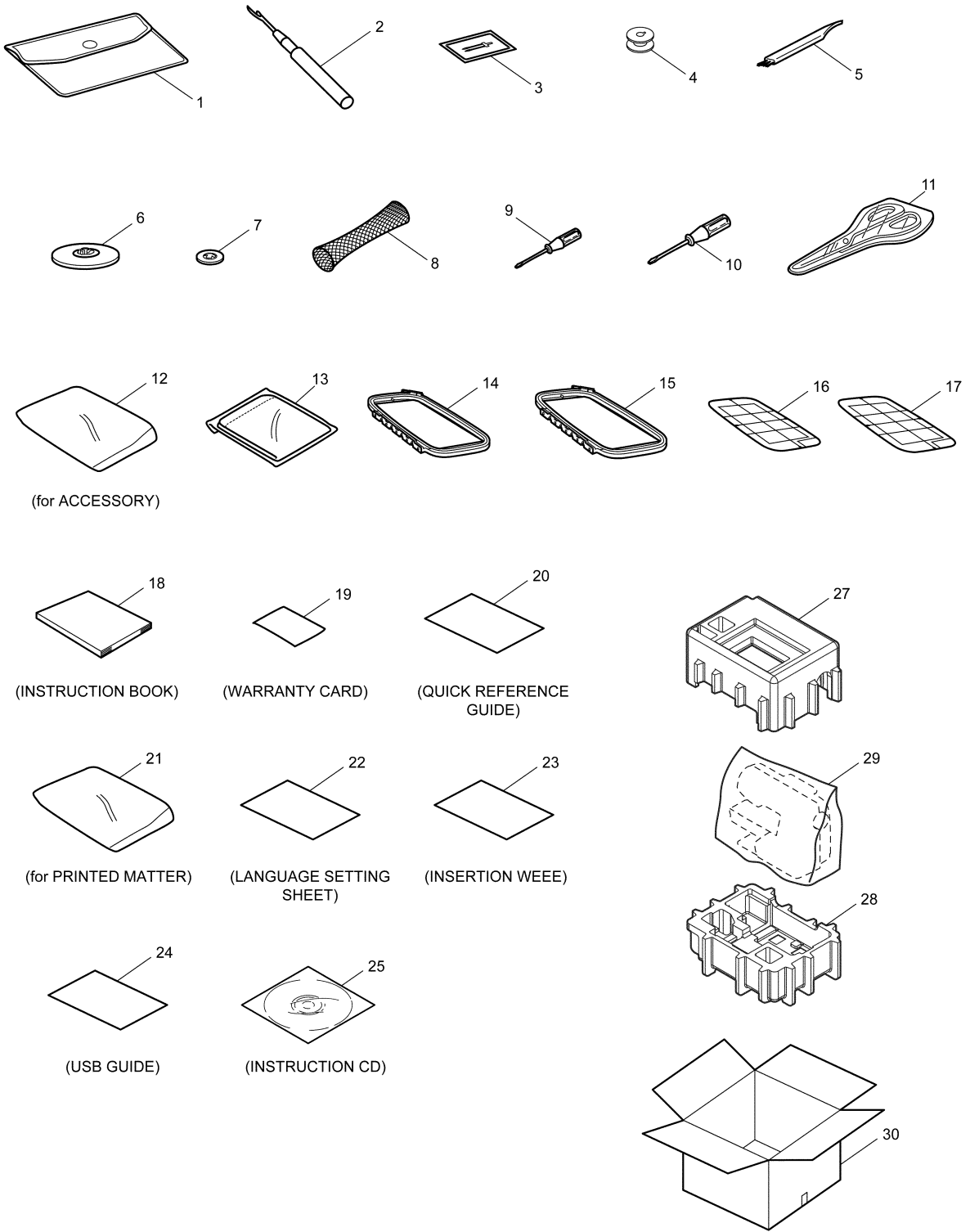
No.	CODE	NAME	REMARKS	No.	CODE	NAME	REMARKS
1	XD0413051	MAIN FRAME SUB ASSY		45	XD0447050	X INITIAL SHUTTER	
2	XD1350050	X DRIVING GEAR PULLEY		46	060400616	SCREW BIND M4X6	
3	XE2199001	WASHER SPRING		47	XA2144350	X BELT PRESSER	
4	048040346	RETAINING RING E4		48	XC7567051	SCREW, PAN (S/P WASHER) M4X12	
5	XD0415151	X PULSE MOTOR SMJ40-4888-B		49	027040226	WASHER EX TOOTH 4	
6	XA8390021	SCREW, PAN (S/P WASHER) M3X7		50	XD0448150	X SLIDER	
7	XA2123051	TIMING BELT 62S2M494		51	XC7566051	SCREW, PAN (S/P WASHER) M4X8	
8	XD0418051	X TENSION PULLEY ASSY		52	XD0768051	Y GUIDE SHAFT PRESSER PLATE	
9	XA2127050	TENSION PULLEY		53	XD0769050	Y GUIDE SHAFT PRESSER	
10	048040346	RETAINING RING E4		54	XD0452051	ES BASE COVER	
11	XC7566051	SCREW, PAN (S/P WASHER) M4X8		55	XD0453051	GROOVE COVER	
12	XD0421050	OIL GUARD PLATE		56	X59853020	RUBBER CUSHION	
13	060300416	SCREW BIND M3X4		57	XC8094051	RUBBER CUSHION COVER	
14	XD0422051	EMB RELAY PCB ASSY		58	XD0454051	LOCK FINGER	
15	XA2128051	X GUIDE SHAFT		59	XC8096051	SPRING	
16	XD0426151	X CARRIAGE ASSY		60	XD0455051	LOCK RELEASE LEVER	
17	XD1351050	Y DRIVING GEAR PULLEY		61	XD0456051	LEAD WIRE ASSY EMB UNIT FCOMB	
18	XD1161050	IDLE GEAR		62	085301616	TAPTITE BIND P M3X16	
19	XE2199001	WASHER SPRING		63	087411416	TAPTITE CUP B M4X14	
20	025060235	WASHER PLAIN M 6		64	XC7566051	SCREW, PAN (S/P WASHER) M4X8	
21	048040346	RETAINING RING E4		65	XD0457051	ES MAIN COVER ASSY	
22	048030346	RETAINING RING E3		66	XD0458051	ES MAIN COVER	
23	XD0432151	Y PULSE MOTOR SMJ35-4823-F		67	XD0453051	GROOVE COVER	
24	XE3234001	LEAD WIRE SUPPLY ASSY: SLEEVE		68	XD0461051	X CARRIAGE COVER	
25	XA8390021	SCREW, PAN (S/P WASHER) M3X7		69	XD0463051	YPM COVER	
26	060300416	SCREW BIND M3X4		70	085301017	TAPTITE BIND P M3X10	
27	XD0438051	Y TENSION PULLEY ASSY		71	XE4586001	EF26 985 EMBROIDERY FRAME LARG	
28	XA2127050	TENSION PULLEY		72	021300106	NUT 1 M3	
29	025060235	WASHER PLAIN M 6		73	XE4590001	THUMB SCREW	
30	048040346	RETAINING RING E4		74	X59422001	WASHER	
31	XC8041051	TIMING BELT 40S2M530		75	XA6982001	NUT	
32	XC7566051	SCREW, PAN (S/P WASHER) M4X8					
33	XD0441151	Y CARRIAGE ASSY	1000017347		X61231021	BAG 400X500H	
34	XD0442051	Y CARRIAGE PLATE SUB ASSY			XC2208001	BAG 240X330H	
35	XD0444151	HOOP FIXED SPRING	1000017347	76	XE0095001	EMBROIDERY PACKING ASSY (Other, without Recycle mark)	
36	XD0445050	Y INITIAL SHUTTER			XD1978051	EMBROIDERY PACKING ASSY (Europe, with Recycle mark)	
37	060300416	SCREW BIND M3X4					
38	XA4710250	Y SLIDER					
39	XA8390021	SCREW, PAN (S/P WASHER) M3X7					
40	XA2139051	Y GUIDE SHAFT					
41	103810022	WASHER, WAVE SPRING					
42	048040346	RETAINING RING E4					
43	XE0391001	CODE GUIDE ASSY					
44	060300416	SCREW BIND M3X4					





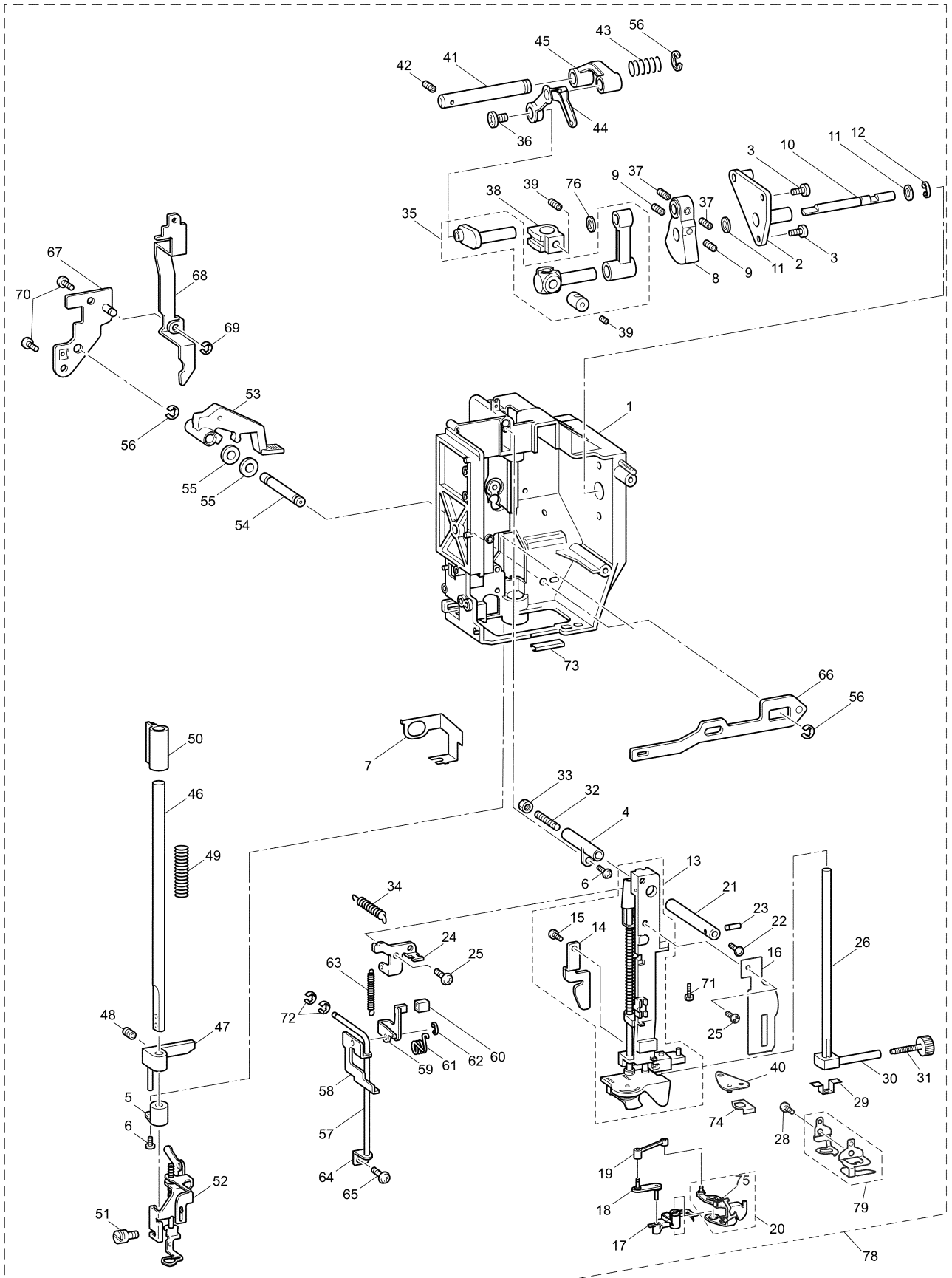
## (8) ATTACHMENTS / PRINTED MATTER / PACKING MATERIALS

No.	CODE	NAME	REMARKS	No.	CODE	NAME	REMARKS
ATTACHMENTS				22	XD1641051	LANGUAGE SETTING SHEET (EXCEPT USA, SGP, AUS)	
1	XC4487021	ACCESSORY BAG		23	XD0256121	INSERTION WEEE (EXCEPT USA, RUS, SGP, AUS)	
2	X54243051	SEAM RIPPER			XE6392001	INSERTION SHEET (PE780D, NV780D)	
3	X59535051	NEEDLE SET		24	XE6374001	USB GUIDE	
4	X52800120	BOBBIN			XE6610001	USB GUIDE (EEU)	
5	X59476021	CLEANING BRUSH			XE7340001	USB GUIDE BR (BRA)	1000015107
6	130012024	SPOOL PRESSER A		25	XE5012101	INSTRUCTION CD BG (EEU)	
7	130013124	SPOOL PRESSER B		26	<del>XE5611004</del>	<del>REGISTRATION CARD ITA (ITA)</del>	<del>1000017863</del>
8	XA5523020	NET		PACKING MATERIALS			
9	X55468051	SCREW DRIVER S		27	XD1630350	STYROFORM TOP	
10	XC8349021	SCREW DRIVER		28	XD1631050	STYROFORM BOTTOM	
11	XC1807121	SCISSORS		29	X60439121	BAG 630X630T	
12	XA2214021	BAG, 150X200		30	XE6398001	MASTER CARTON MODEL: PE-780D (PE780D)	
13	XZ5004021	DUST COVER ASSY			XE6403001	MASTER CARTON MODEL: PE-770 (PE770)	
14	XA2171101	EF25 985 EMBROIDERY FRAME M	1000015107		XE6406001	MASTER CARTON MODEL: NV750E (NV750E)	
15	XE4586001	EF26 985 EMBROIDERY FRAME LARG	1000017301		XE8147001	M-CARTON MODEL: NV780D DISNEY (NV780D)	1000017301
16	XD0655051	EMBROIDERY SHEET M ASSY F	1000015107				
17	XD0464051	EMBROIDERY SHEET L ASSY F	1000015107				
PRINTED MATTER							
18	XD1628121	INSTRUCTION BOOK ENG (USA, UK, EEU, NEU, SGP, AUS)					
	XD1668121	INSTRUCTION BOOK SPA (USA, ESP, ARG, PRY, CHL)					
	XD1639121	INSTRUCTION BOOK GER (GER, CHE)					
	XD1913121	INSTRUCTION BOOK FRE (FRA, CHE)					
	XD1914121	INSTRUCTION BOOK DUT (FRA)					
	XD1915121	INSTRUCTION BOOK ITA (ITA, CHE)					
	XE0504101	INSTRUCTION BOOK RUS (RUS)					
	XE4534101	INSTRUCTION BOOK BR (BRA)	1000015107				
	XE1696001	INSTRUCTION BOOK (for DISNEY: PE780D, NV780D)	1000017301				
19	XC8946021	WARRANTY CARD C (USA)					
	<del>LA1661004</del>	<del>WARRANTY CARD EURO CH (DEU, UK, FRA, ITA, CHE, EEU, NEU)</del>	<del>1000017863</del>				
	<del>XC6402024</del>	<del>WARRANTY CARD UK (UK)</del>	<del>1000017863</del>				
	<del>XE5609104</del>	<del>WARRANTY CARD 5YEARS ITA (ITA)</del>	<del>1000017863</del>				
	<del>XE5572004</del>	<del>WARRANTY CARD BROTHER RUS (RUS)</del>	<del>1000017863</del>				
	<del>LW313500</del>	<del>GEE WARRANTY CARD (EEU)</del>	<del>1000016851</del>				
	XE5652001	WARRANTY CARD BROTHER ARG (ARG, PRY)	1000015107				
	XE4547001	WARRANTY CARD BR HEM (BRA)	1000015107				
20	XD1629021	QUICK REFERENCE GUIDE					
	XE5019001	QUICK REFERENCE GUIDE BG (EEU)					
21	130800021	BAG, 230X310H					



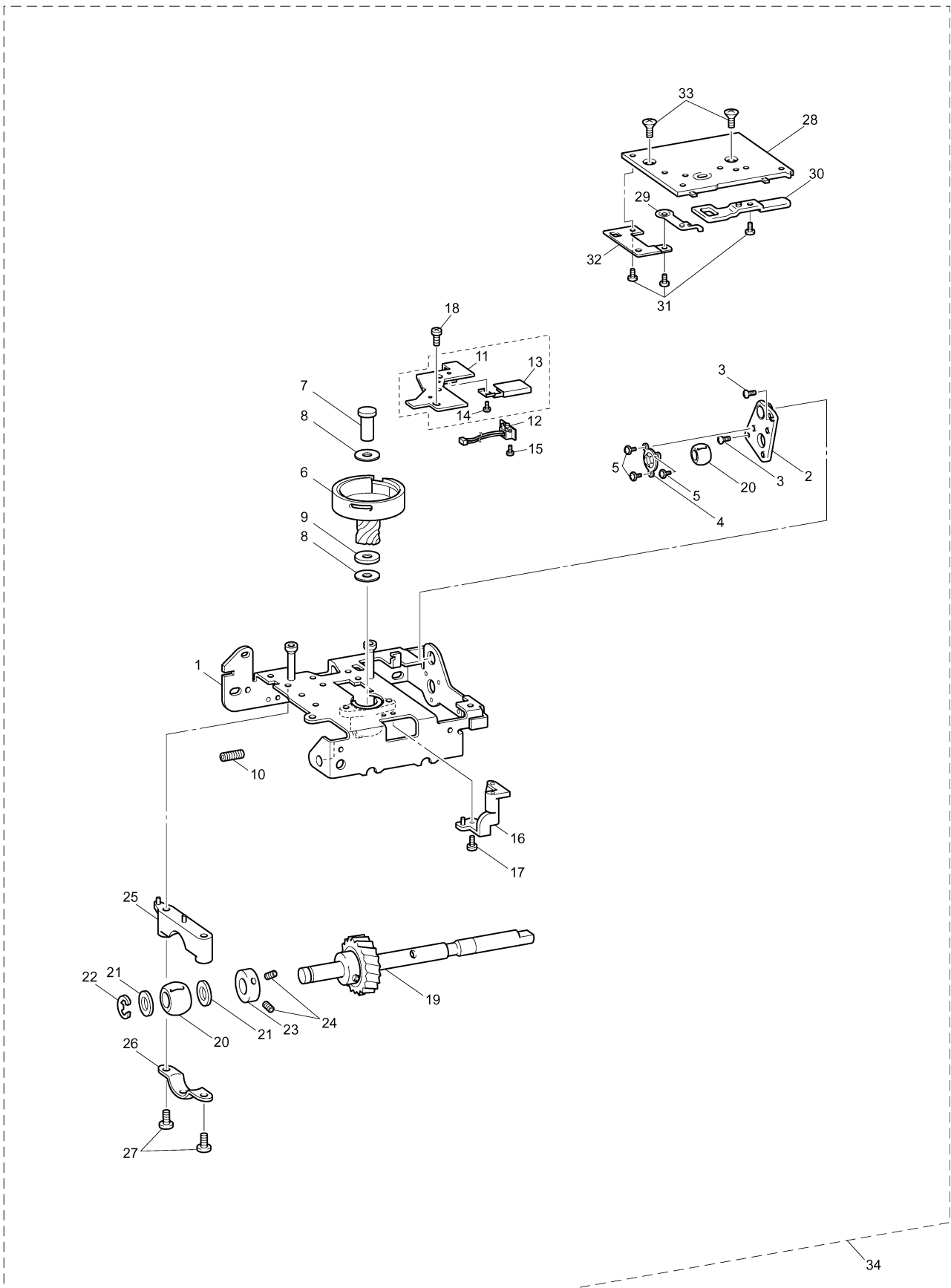
## NEEDLE-PRESSER MODULE

No.	CODE	NAME	REMARKS	No.	CODE	NAME	REMARKS
1	XE0017101	UPPER UNIT HOLDER		45	XC2443020	THREAD TAKE-UP LEVER LINK	
2	XC2395221	SHAFT BUSHING ASSEMBLY		46	XC2444021	PRESSER BAR	
3	0A5401405	SCREW, PAN (S/P WASHER) M4X14		47	XC2445021	PRESSER BAR CLAMP ASSY	
4	XC2398020	SHAFT BUSHING A		48	014501032	SET SCREW, SOCKET (CP) M5X10	
5	XC2399021	PRESSER BAR BUSHING		49	XC2448021	SPRING	
6	085310815	TAPTITE, BIND B M3X8		50	XC2449021	PRESSER SPRING SUPPORTER	
7	XC5362020	PLATE SPRING		51	132730122	TIGHTENING SCREW 3.57	
8	XC2400021	THREAD TAKE-UP COUNTER WEIGHT		52	XD0474151	EMBROIDERY PRESSER ASSEMBLY	
9	012500532	SET SCREW, SOCKET (FT) M5X5		53	XC9725051	PRESSER FOOT LIFTER	
10	XC2401021	UNIT SHAFT		54	XC2452021	PRESSER LIFT SHAFT	
11	132434020	WASHER		55	XA1860120	WASHER	
12	048060346	RETAINING RING, E6		56	048040346	RETAINING RING, E4	
13	XC9716251	NEEDLE BAR SUPPORTER ASSY		57	XC2453021	LEVER GUIDE SHAFT	
14	XC9908150	HOOK RELEASE PLATE		58	XC2455021	LEVER A ASSY	
15	060260516	SCREW, BIND M2.6X5		59	XC2458021	LEVER B	
16	XZ0417050	GUARD PLATE		60	XC2459020	CAP	
17	XD1550251	THREADER HOOK ASSY	1000017223	61	XC2460021	TORSION SPRING	
18	XD1546051	LINK A ASSY		62	048030343	RETAINING RING, E3	
19	XD1548151	LINK B		63	XC2461021	SPRING	
20	XC9613121	THREAD GUIDE ASSY		64	XC2462021	LEVER PRESSER PLATE	
21	XC2419021	SHAFT		65	138433021	TAPTITE, PAN B M3X6	
22	000020416	SCREW, BIND M2X4	1000016096	66	XC2491121	THREAD RELEASER ASSY	
23	XC2420020	SHAFT		67	XC2498021	ADJUSTING PLATE ASSY	
24	XC2421121	PLATE		68	XC2501121	TENSION RELEASER C	
25	060300516	SCREW, BIND M3X5		69	048030346	RETAINING RING, E3	
26	XC2423021	NEEDLE BAR		70	XC3588021	GIZA TITE 4X12	
27	<del>XE0011101</del>	NEEDLE BAR THREAD-GUIDE-Q	1000016793	71	XC3037021	SCREW3X10	
28	X53053052	SCREW SM2.38		72	048020346	RETAINING RING, E2	
29	XC2426020	NEEDLE THREAD PLATE		73	XC3034020	THREAD GUIDE PLATE	
30	XC2427051	NEEDLE BLOCK		74	XD1916050	UPPER UNIT SUPPORT PLATE	
31	XZ0388251	NEEDLE CLAMP SCREW		75	XC9616051	SPRING	
32	014401232	SET SCREW, SOCKET (FT) M4X12		76	X53330020	WASHER	
33	X56851021	LOCK NUT		77	<del>XE0012101</del>	NEEDLE THREAD-GUIDE SPRING	1000016793
34	XC2429021	SPRING					
35	XE2589001	NEEDLE BAR CRANK ROD ASSY		78	XD1974351	NEEDLE SUPPLY UNIT ASSY U30	
36	132051022	SCREW, FLAT SM3.57-40X7 L		79	XE7727001	N/B THREAD GUIDE SUPPLY ASSY	1000016793
37	012500532	SET SCREW, SOCKET (FT) M5X5					
38	XC2434021	NEEDLE THREAD BLOCK					
39	012400432	SET SCREW, SOCKET (FT) M4X4					
40	XD1612051	NEEDLE HOLDER GUIDE ASSY					
41	XC2440021	SHAFT					
42	014300532	SET SCREW, SOCKET (CP) M3X5					
43	XC2441021	SPRING					
44	XC6239151	THREAD TAKE-UP LEVER ASSY					



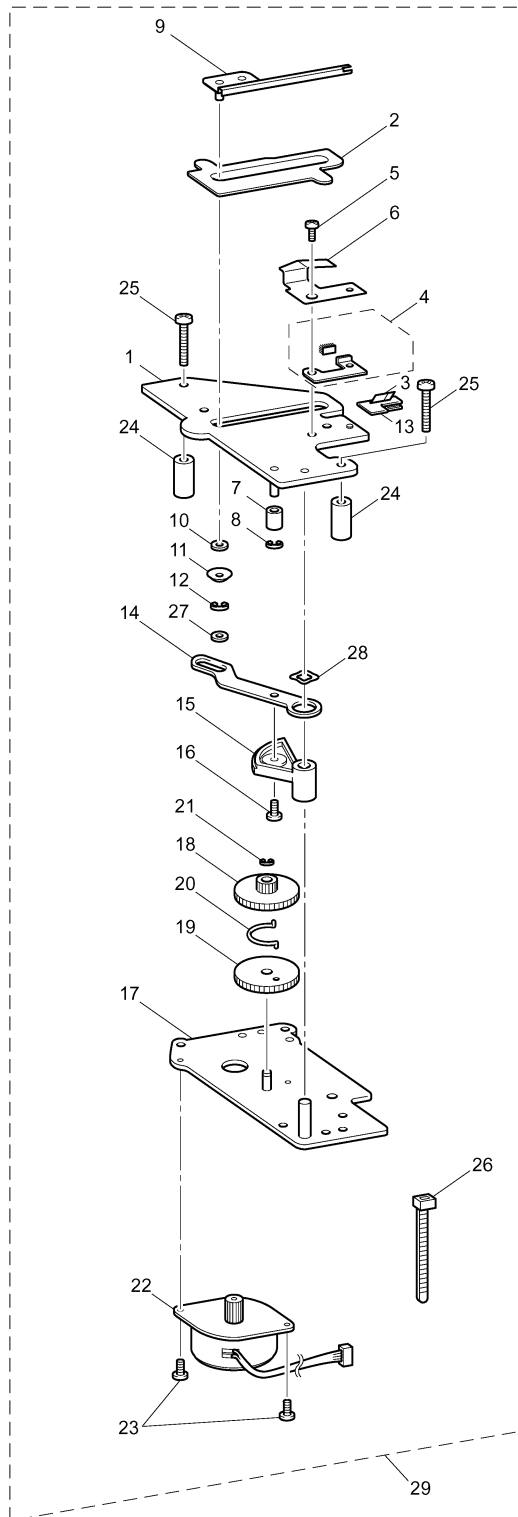
## FEED MODULE

No.	CODE	NAME	REMARKS
1	XC7638121	BASE PLATE	
2	XC2540021	BUSHING SUPPORTER B	
3	060400616	SCREW, BIND M4X6	
4	XC2542021	BUSHING PRESSER B	
5	060300516	SCREW, BIND M3X5	
6	XC2210021	OUTER ROTARY HOOK ASSY	
7	XD1943021	OUTER ROTARY HOOK SHAFT	
8	137805022	SPACER	
9	137976021	WASHER 6	
10	014400632	SET SCREW, SOCKET (CP) M4X6	
11	XC8406351	INNER ROTARY HOOK BRACKET ASSY	1000017150
12	XC8350021	PHOTO DIODE HOLDER ASSY	
13	XC7866351	CORD HOLDER	
14	060260316	SCREW BIND M2.6X3	
15	000020416	SCREW BIND M2X4	1000016096
16	XC2559221	STOPPER PLATE BLOCK ASSY	1000015861
17	060400516	SCREW, BIND M4X5	
18	060300816	SCREW, BIND M3X8	
19	XD1619021	LOWER SHAFT B ASSY	
20	X52664020	LOWER SHAFT BUSHING	
21	X51383020	WASHER, THRUST	
22	048060346	RETAINING RING, E6	
23	137768121	SET SCREW COLLAR	
24	014400432	SET SCREW, SOCKET (CP) M4X4	
25	XC2566021	BUSHING SUPPORTER A	
26	XC2567021	BUSHING PRESSER A	
27	060401616	SCREW, BIND M4X16	
28	XD1622051	NEEDLE PLATE A	
29	XC9728051	STOPPER PLATE	
30	XD1623151	F GEAR STOPPER PLATE	
31	060260316	SCREW, BIND M2.6X3	
32	XE1488001	NEEDLE PLATE B SUPPORT PLATE	
33	X50487021	SCREW M4	
34	XD1975051	FEED SUPPLY UNIT ASSY U30	



## THREAD CUTTER MODULE

No.	CODE	NAME	REMARKS
1	XC9733051	THREAD CUTTER FRAME ASSY	
2	XC9735050	SPACER	
3	X80321021	NT LOWER THREAD CUTTER	
4	XE4994001	PRESSER PLATE ASSY	
5	060300516	SCREW, BIND M3X5	
6	XC2598120	SPRING PLATE	
7	XC2587020	RUBBER	
8	048030346	RETAINING RING, E3	
9	XC2583121	THREAD HOOK ASSY	
10	137713020	POLYESTER SLIDER	
11	X56731020	WASHER	
12	048040346	RETAINING RING, E4	
13	XC9736050	CUTTER HOLDER	
14	XC2581221	THREAD CUTTER LEVER	
15	XC2582020	THREAD CUTTER LEVER GEAR	
16	0A4300605	SCREW, PAN (S/P WASHER) M3X6	
17	XC2588221	MOTOR HOLDER ASSY	
18	XC2592020	IDLE GEAR A	
19	XC2593020	IDLE GEAR B	
20	X56323021	SPRING	
21	048020346	RETAINING RING, E2	
22	XC2331121	MOTOR PULSE: C SMJ35-4840-B	
23	060300416	SCREW, BIND M3X4	
24	XC2594121	COLLAR	
25	060402016	SCREW, BIND M4X20	
26	X53169020	BAND	
27	137713020	POLYESTER SLIDER	
28	XC8407020	WAVE-SHAPE SPRING WASHER	
29	XD0075252	THREAD CUTTER SUPPLY ASSY	





**brother**®

PE780D/PE770/NV750E/NV780D  
08G09HF885U40/U41/U42

07. 2009.  
03. 2010.