

SERVICE MANUAL

&

PARTS LIST

Card module

# Table of Contents

## \* Service Manual

I. Main Configuration..... 2

II. Diagnosing a Breakdown in the Electrical System ..... 4

\* Parts List..... 5

## ■ GENERAL INFORMATION

This service manual has been compiled for explaining repair procedures of the Card module.

This was produced based on up-to-date product specifications at the time of issue, but there may have been changes of specifications for the purpose of improvements.

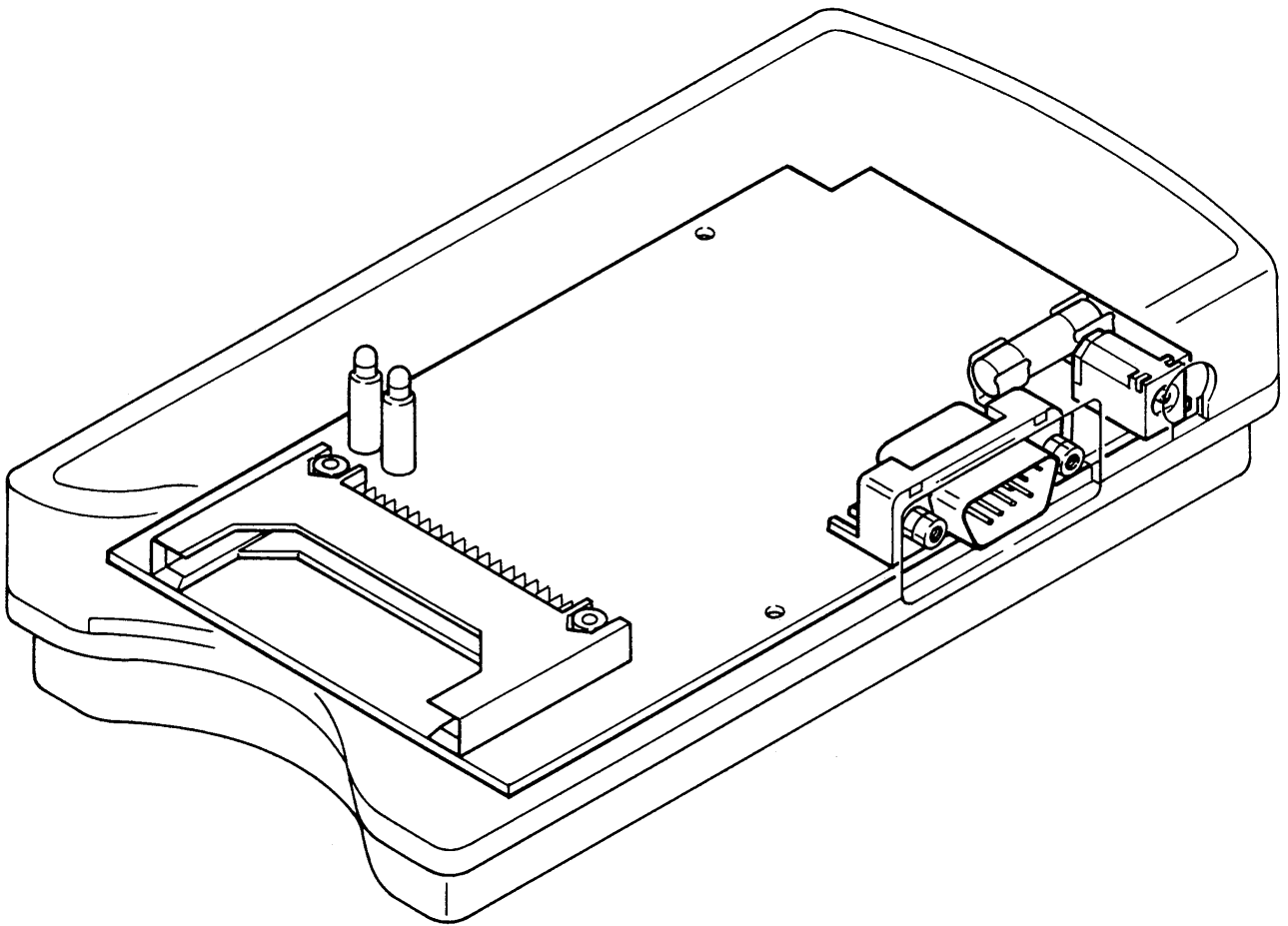
Contact manufacturer or local sales company for information concerning such changes.

## ● CAUTION ●

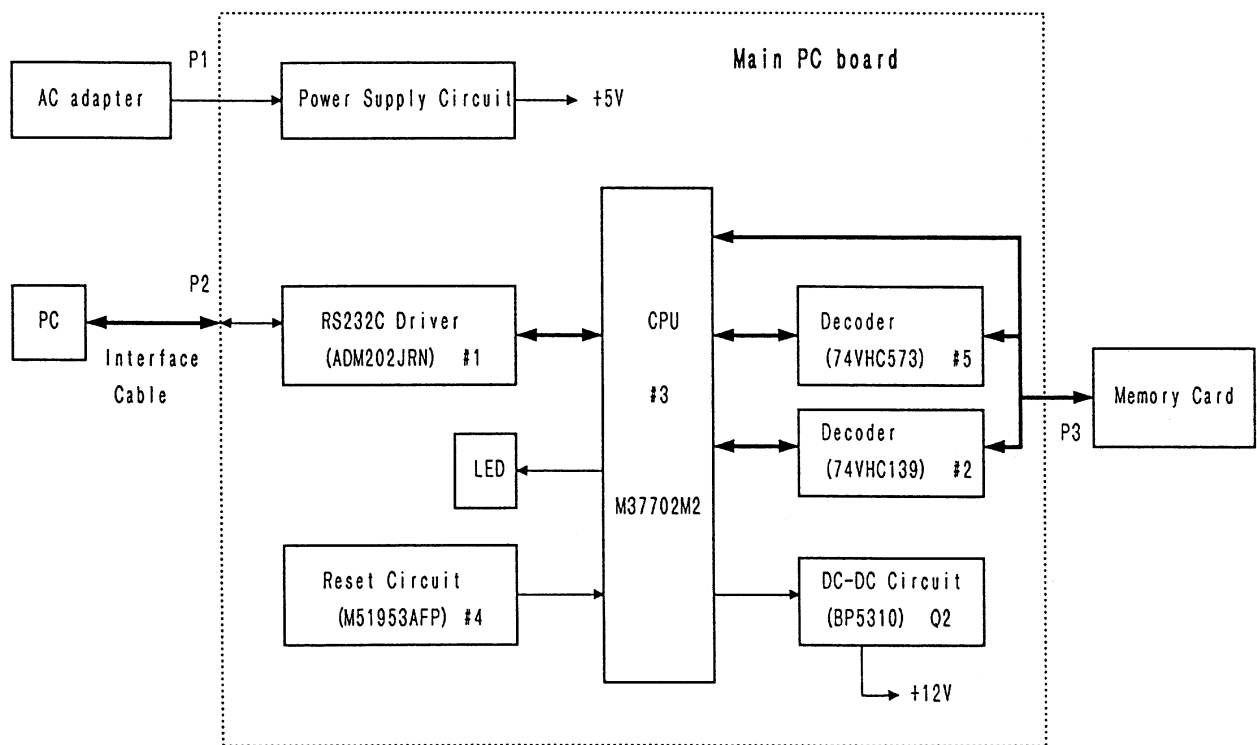
1. Always use rubber gloves when handling printed circuit boards and never touch the metal portion of a printed circuit board with bare hands.
2. Keep your body earthed in order to avoid generating static electricity.
3. Pack printed circuit boards in aluminum foil and avoid subjecting them to any form of impact during storage or transportation.
4. Do not touch or damage the metal portion of a printed circuit board with a screwdriver or any other tool while making repairs or the like.

# I. Main Configuration

## 1. Main Components



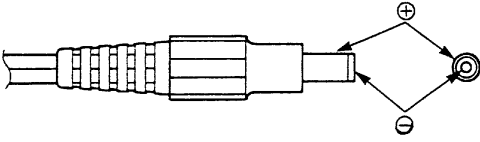
## 2. Control System Block Diagram



## II. Diagnosing a Breakdown in the Electrical System

### Diagnosing a breakdown in the electrical components

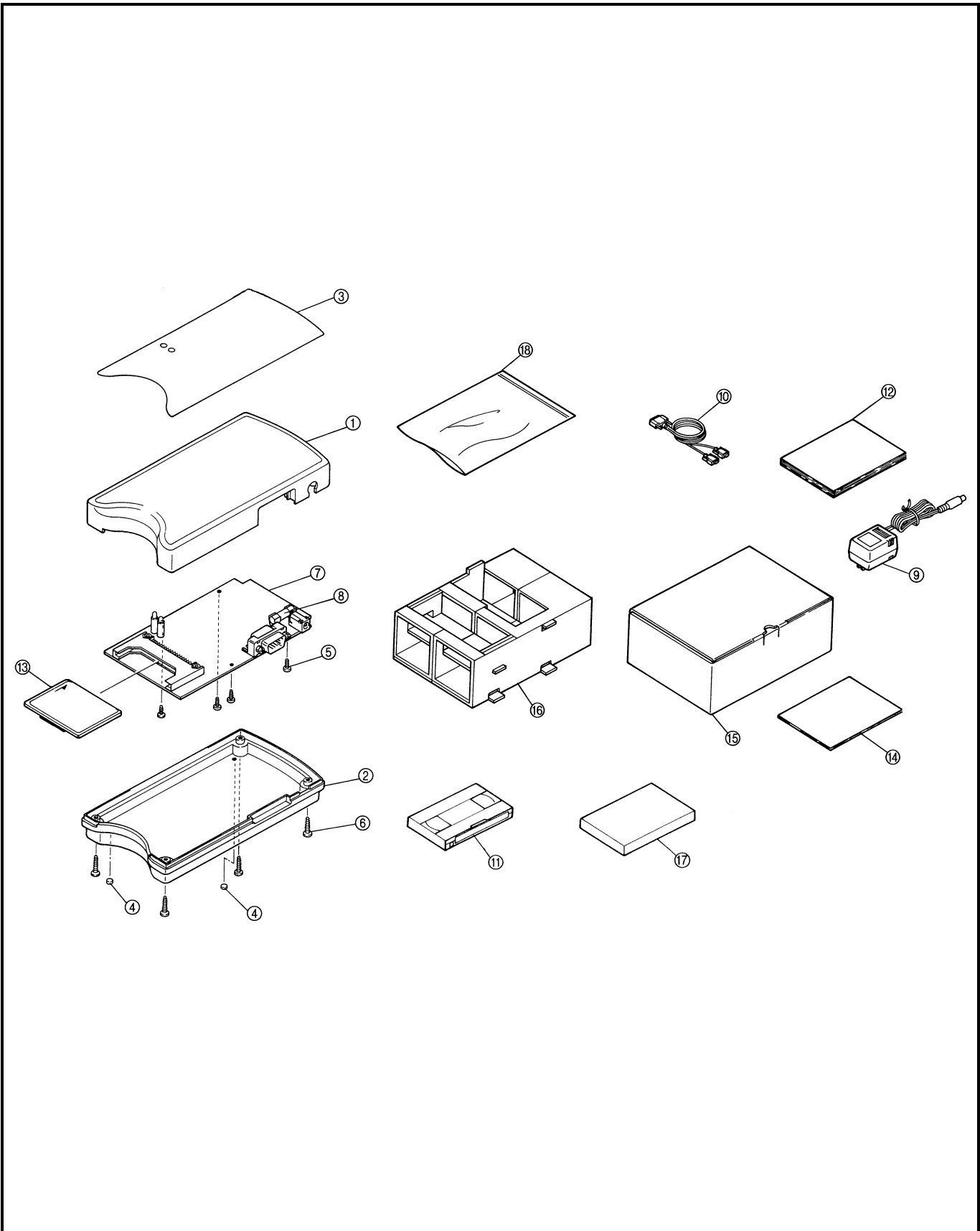
\* See the illustration for locations which should be checked.

Situation	Locating the Problem	Solutions															
<p>① Pilot LED is not ON, when the AC adapter is connected to the unit and plugged into a wall outlet.</p>	<p>① Has the fuse blown?</p> <p>② When the AC adapter has been plugged into a wall outlet, is the DC plug output between 9.5 and 14 VDC?</p>  <p>③ Check other points carefully.</p>	<p>① Replace the fuse. (First check to see why the fuse has blown, and correct the problem.)</p> <p>② Replace the AC adapter.</p> <p>③ Replace the main PC board assembly.</p>															
<p>② When the Install Embroidery Card or Write to Original Card process has run on the PC, Busy LED is not ON.</p>	<p>① Is connection of Interface Cable between the unit and PC correctly?</p> <p>② Are all serial port on PC used with other peripherals?</p> <p>③ Is Busy LED ON if a different Interface Cable is used? or Are the resistances between the pins below of the Interface Cable 1 <math>\Omega</math> or less.</p> <table border="0" style="margin-left: 40px;"> <tr> <td style="text-align: center;">(9pin)</td> <td style="text-align: center;">(9pin)</td> <td style="text-align: center;">(25pin)</td> </tr> <tr> <td style="text-align: center;">2 _____</td> <td style="text-align: center;">3 _____</td> <td style="text-align: center;">2 _____</td> </tr> <tr> <td style="text-align: center;">3 _____</td> <td style="text-align: center;">2 _____</td> <td style="text-align: center;">3 _____</td> </tr> <tr> <td style="text-align: center;">4 _____</td> <td style="text-align: center;">6 _____</td> <td style="text-align: center;">6 _____</td> </tr> <tr> <td style="text-align: center;">5 _____</td> <td style="text-align: center;">5 _____</td> <td style="text-align: center;">7 _____</td> </tr> </table> <p>④ Check other points carefully.</p>	(9pin)	(9pin)	(25pin)	2 _____	3 _____	2 _____	3 _____	2 _____	3 _____	4 _____	6 _____	6 _____	5 _____	5 _____	7 _____	<p>① Check carefully.</p> <p>② Check the setting of PC.</p> <p>③ Replace the Interface Cable.</p> <p>④ Replace the main PC board assembly.</p>
(9pin)	(9pin)	(25pin)															
2 _____	3 _____	2 _____															
3 _____	2 _____	3 _____															
4 _____	6 _____	6 _____															
5 _____	5 _____	7 _____															
<p>③ When the Install Embroidery Card process start, message "Installation has failed." or "This is not a recognized card." is always displayed.</p>	<p>① If a different Card is used, is that process completed?</p> <p>② Check other points carefully.</p>	<p>① Replace the Embroidery Card.</p> <p>② Replace the main PC board.</p>															
<p>④ When the Write to Original Card process start, message "This is a damaged card." or "Writing to original card has failed." is always displayed.</p>	<p>① If a different Original card is used, is that process completed?</p> <p>② Check other points carefully.</p>	<p>① Replace the Original card.</p> <p>② Replace the main PC board.</p>															

\* **Parts List**

**Main body**

1.	XA3033001	TOP COVER
2.	XA3034001	BOTTOM COVER
3.	XA3035001	DECORATION PLATE (PE-DESIGN)
	XA3036001	DECORATION PLATE (ECS)
4.	XA3038001	RUBBER CUSHION
5.	136681001	SCREW
6.	085311415	SCREW
7.	XA3042001	MAIN PC BOARD ASSEMBLY
8.	410336001	FUSE
9.	X80923001	AC ADAPTOR 120V (U.S.A., CANADA)
	XA0315001	AC ADAPTOR 220V
10.	UB6969001	IF CABLE
11.	XA3055001	INSTRUCTION VIDEO (ENGLISH)
12.	191910011	INSTRUCTION MANUAL (ENGLISH)
	191910012	INSTRUCTION MANUAL (ECS, ENGLISH)
	191910013	INSTRUCTION MANUAL (GERMAN)
	191910014	INSTRUCTION MANUAL (FRENCH)
	191910015	INSTRUCTION MANUAL (ECS, FRENCH)
13.	XA0154001	BLANK MEMORY CARD
	XA0154002	BLANK MEMORY CARD (U.S.A., CANADA)
14.	181401134	QUICK START GUIDE
15.	X60973001	CARTON (PE-DESIGN)
	X60974001	CARTON (ECS)
16.	C60976000	MAIN BODY PAD
17.	X60977000	SF PAD
18.	X60979000	PE BAG 150 x 250



Card module  
H6040049