

**PARTS CATALOGUE FOR  
COMPUTERIZED SEWING MACHINE  
EMBROIDERY MACHINE**

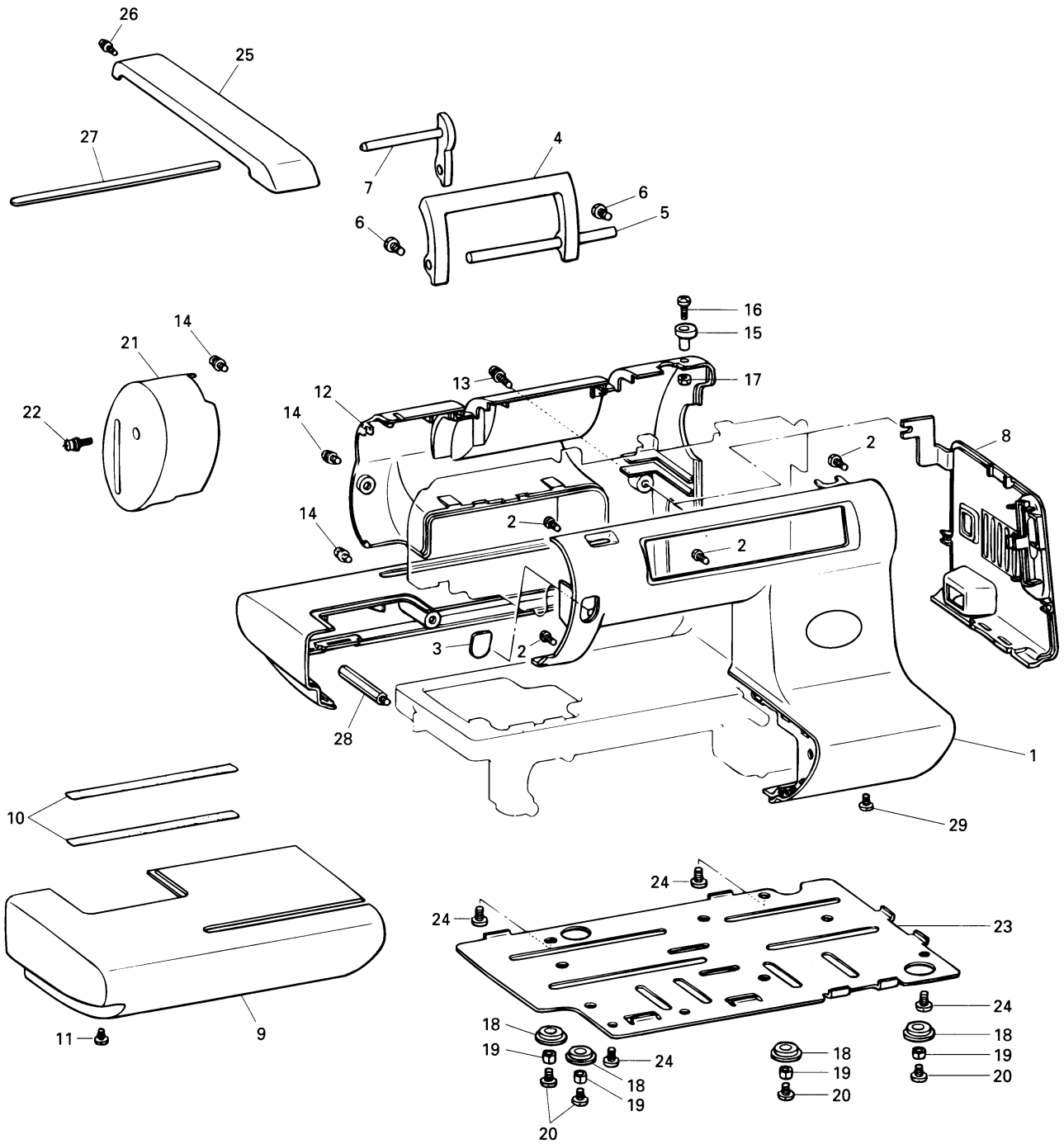
**PE-180D**

# CONTENTS

(1) PRINCIPAL PARTS AND DISPLAY.....	2
(2) NEEDLE BAR AND PRESSER BAR.....	4
(3) BALANCE, ROTARY HOOK AND UPPER SHAFT ...	6
(4) VERTICAL SHAFT, BOBBIN WINDER AND THREADING MECHANISM.....	8
(5) LAMP, ELECTRONIC PARTS, MOTOR AND POWER SUPPLY .....	10
(6) EMBROIDERY MECHANISM.....	12
(7) OTHER PARTS.....	14

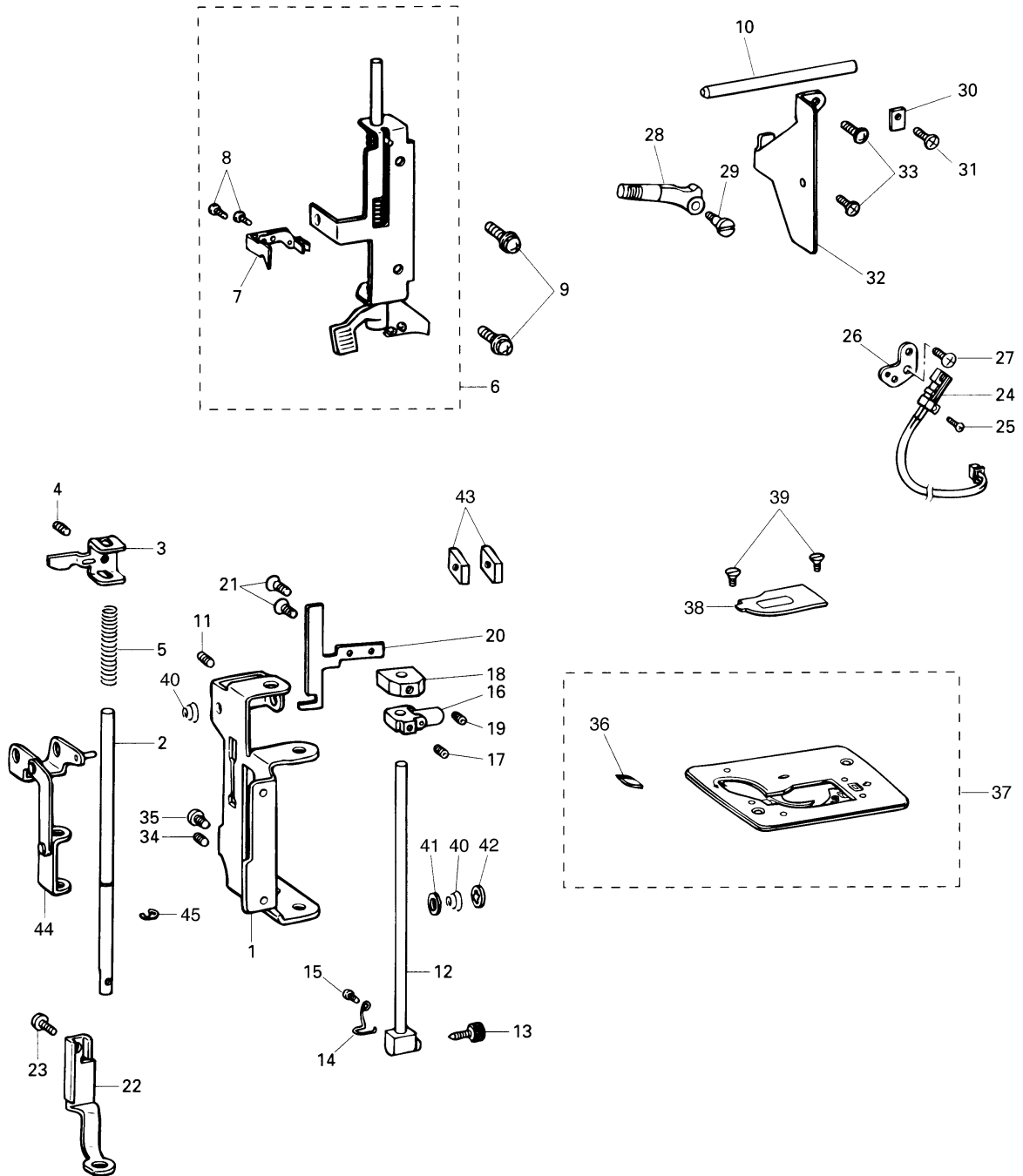
## (1) PRINCIPAL PARTS AND DISPLAY

No.	CODE	NAME	REMARKS
1	X58642056	Front cover (Without batch)	
	XC1284051	Front cover ASSY (With batch)	
2	138444001	Screw 4 × 14	
3	X58645054	SS button (Arrow)	
	X58645053	SS button (English)	
4	X58643051	Carrying handle	
5	X58644051	Carrying handle shaft	
6	052401406	Screw 4 × 14	
7	X58708051	Spool stand bar	
8	X58647153	Belt cover	
9	X58648151	Main cover	
10	X58649051	Groove cover	
11	085300815	Screw 3 × 8	
12	X59801152	Rear cover (with logo)	
13	052401406	Screw 4 × 14	
14	052400806	Screw 4 × 8	
15	121846051	Bobbin presser	
16	062301616	Screw M3 × 16	
17	021300106	Nut 3	
18	X55942151	Rubber cushion	
19	X56474051	Spacer	
20	X57908051	Screw 4 × 10	
21	X58653052	Face plate	
22	052400806	Screw 4 × 8	
23	X58655051	Base cover	
24	X57908051	Screw 4 × 10	
25	X58657152	X carriage cover	
26	052300606	Screw 3 × 6	
27	X58765051	Slider plate	
28	X59368051	Stud bolt	
29	085300815	Screw 3 × 8	



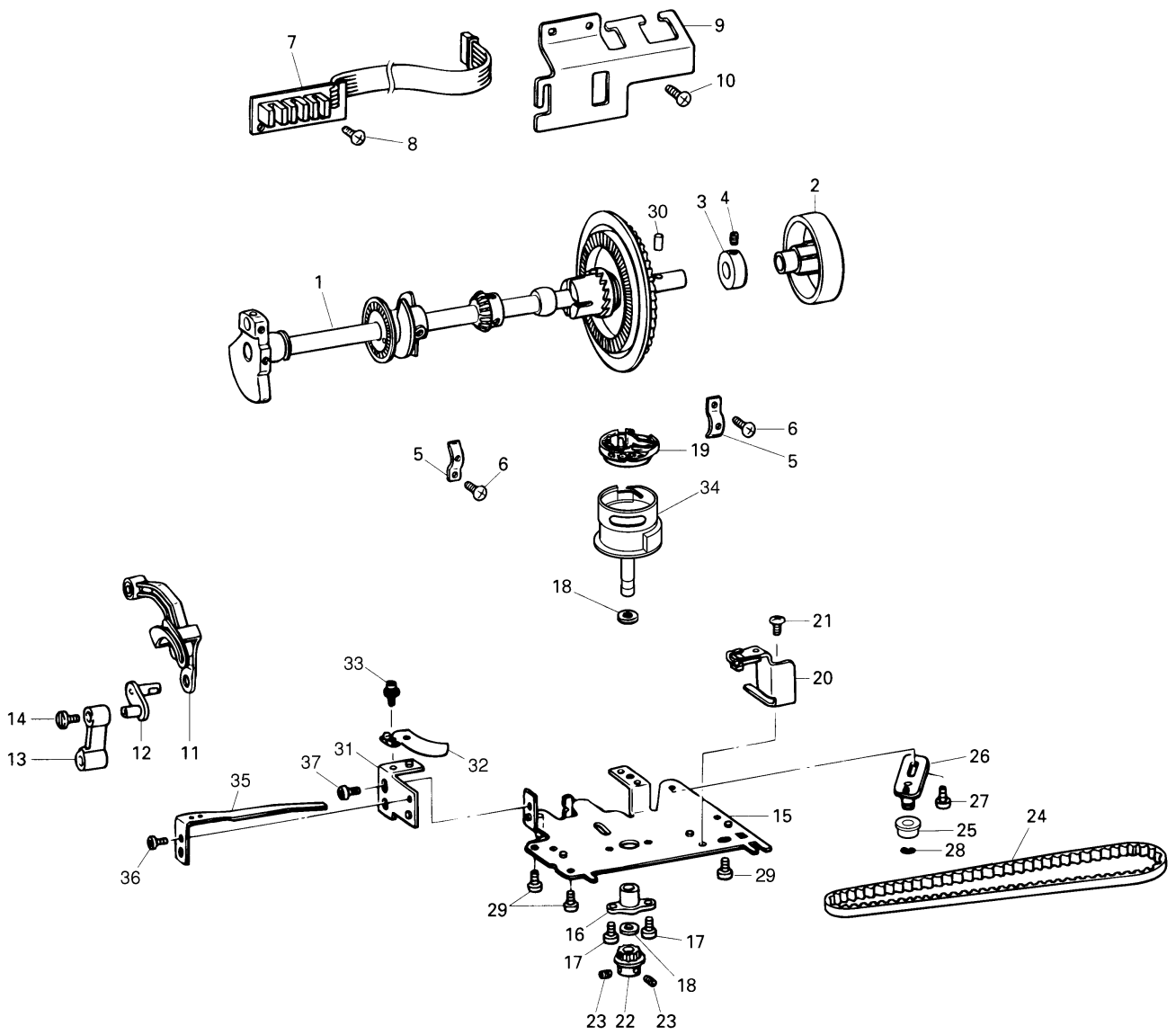
## (2) NEEDLE BAR AND PRESSER BAR

No.	CODE	NAME	REMARKS	No.	CODE	NAME	REMARKS
1	XA0415001	Presser unit holder		45	048040346	Stop ring E4	
2	XA3623051	Presser bar					
3	XA3626051	Presser bar bracket					
4	014400632	Screw 4 × 6					
5	XA3624051	Presser bar spring					
6	XA0419051	Thread guide assembly					
7	XA0445101	Hook assembly					
8	037200416	Screw 2 × 4					
9	052300606	Screw 3 × 6					
10	X58772151	Thread take-up lever stud					
11	014400632	Screw 4 × 6					
12	X55185001	Needle bar assembly					
13	XA4052051	Needle clamp screw					
14	X55187150	Needle bar thread guide					
15	062020416	Screw 2 × 4					
16	XA0425151	Needle bar block assembly					
17	014400432	Screw 4 × 4					
18	XA0429050	Positioning supporter					
19	012400432	Screw 4 × 4					
20	XA0430051	Needle threader position setter					
21	004260405	Screw 26 × 4					
22	XA3625001	Embroidery presser					
23	060400616	Screw 4 × 6					
24	XC0298051	Presser switch assembly					
25	062260516	Screw 2.6 × 5					
26	X58676051	Presser switch holder					
27	X57908051	Screw 4 × 10					
28	X58677051	Presser foot lever					
29	X55168051	Stud screw M4					
30	X50532051	Shaft presser plate					
31	X57908051	Screw 4 × 10					
32	XA0431051	Face plate base plate					
33	X57908051	Screw 4 × 10					
34	012400632	Screw 4 × 6					
35	060301216	Screw 3 × 12					
36	X80321051	Lower thread cutter					
37	XA3633051	Needle plate assembly					
38	X56828151	Needle plate cover					
39	X50487051	Screw M4					
40	X57822101	Needle bar presser spring					
41	X58511100	Washer					
42	109763053	Washer					
43	XA1298050	Spacer					
44	XA3627051	Presser link assembly					



### (3) BALANCE, ROTARY HOOK AND UPPER SHAFT

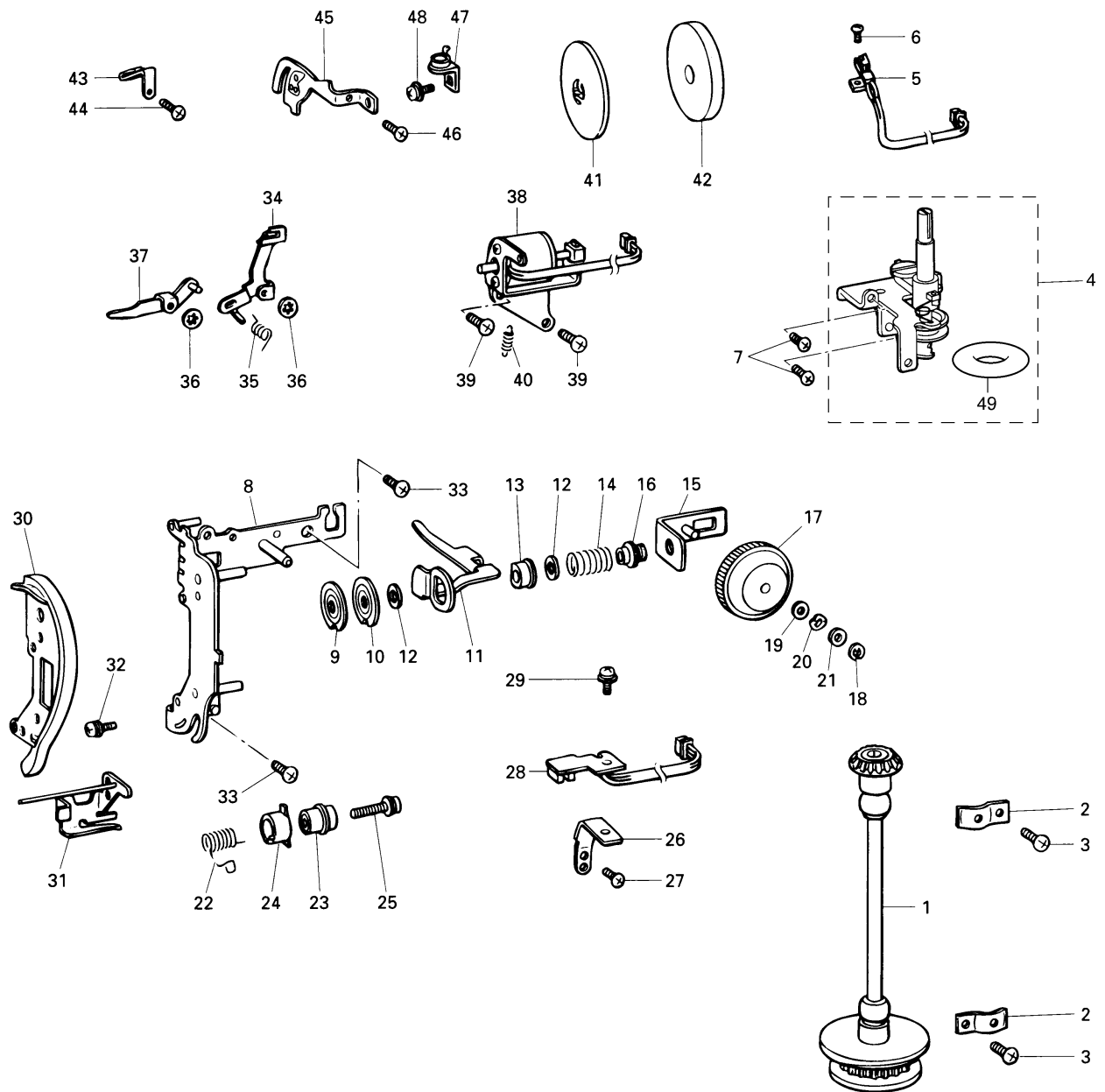
No.	CODE	NAME	REMARKS
1	XA3719151	Upper shaft assembly	
2	XZ0076051	Hand wheel	
3	130096151	Collar	
4	014400632	Screw 4 × 6	
5	132421051	Lower shaft bushing presser	
6	060401216	Screw 4 × 12	
7	XC0299051	NP PC board assembly	
8	060400816	Screw 4 × 8	
9	X58763051	Shutter cover	
10	X57908051	Screw 4 × 10	
11	X58776151	Thread take-up assembly	
12	X59571051	Needle bar crank	
13	X55197050	Needle bar crank rod	
14	X59572051	Screw 3.57	
15	XA6697051	Rotary hook shaft frame assembly	
16	XA6698050	Shaft supporter	
17	060300616	Screw 3 × 6	
18	137805051	Spacer	
19	XA5651151	Inner rotary hook assembly	
20	X59803001	Inner rotary hook bracket assembly	
21	060400616	Screw M4 × 6	
22	138417050	Rotary hook shaft pulley	
23	014400632	Screw 4 × 6	
24	X58784051	Timing belt 200 XL015	
25	X50079050	Belt tension pulley	
26	XA3645051	Pulley plate assembly	
27	052300606	Screw 3 × 6	
28	048060346	Stop ring E6	
29	X57908051	Screw 4 × 10	
30	X51920051	Needle roller	
31	XA3660050	Fixed blade holder	
32	XA3661150	Inner rotary hook holder	
33	052300606	Screw 3 × 6	
34	XA6699051	Outer rotary hook assembly	
35	XA3664051	Lower thread guide plate assembly	
36	060300616	Screw 3 × 6	
37	060400616	Screw 4 × 6	





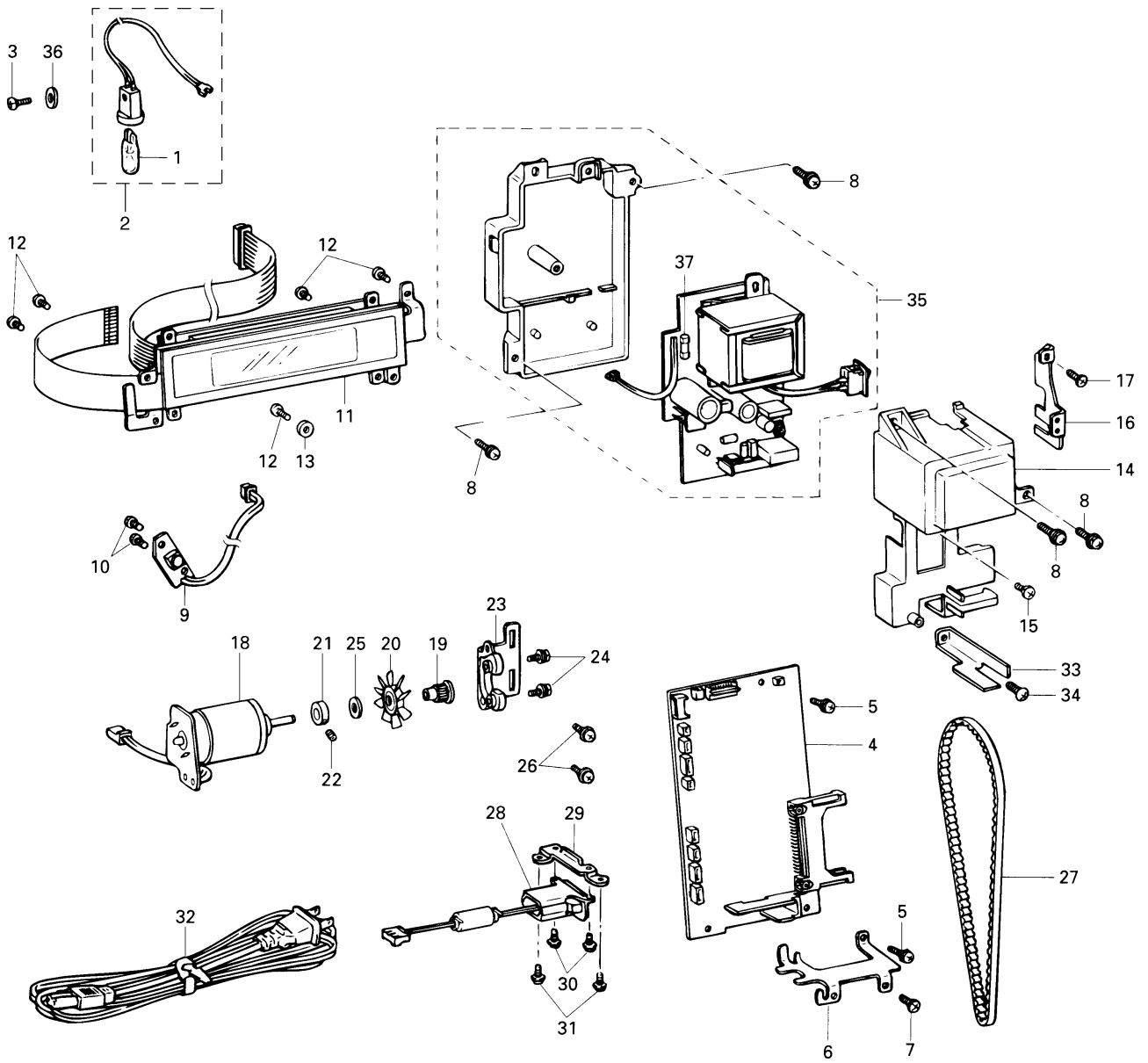
#### (4) VERTICAL SHAFT, BOBBIN WINDER AND THREADING MECHANISM

No.	CODE	NAME	REMARKS	No.	CODE	NAME	REMARKS
1	X58785051	Vertical shaft assembly		45	X58706151	Thread guide plate B assembly	
2	132421051	Lower shaft bushing presser		46	085300815	Screw 3 × 8	
3	060401216	Screw 4 × 12		47	X53252051	Spool guide assembly	
4	X58787051	Bobbin winder assembly		48	052300606	Screw 3 × 6	
5	X56202051	Bobbin winder switch assembly		49	120448051	Rubber band	
6	062260516	Screw 2.6 × 5					
7	X57908051	Screw 4 × 10					
8	X58681151	Thread guide plate sub assembly					
9	XA0083051	Thread tension disc					
10	XA0084051	Thread tension disc					
11	X58686151	Thread tension release plate A					
12	109763053	Washer					
13	137881051	Spring seat					
14	X58687151	Spring					
15	X58688051	Thread tension plate assembly					
16	137878051	Thread tension adjusting screw					
17	X55253053	Thread tension dial					
18	048030346	Stop ring E3					
19	137999050	Washer					
20	137991051	Washer					
21	025040133	Washer 4					
22	X59432051	Thread take-up spring					
23	X53828051	Thread take-up spring case					
24	X58316001	Thread breakage shutter					
25	0A4402006	Screw 4 × 20 DA	CHG				
26	X58691051	Thread breakage sensor holder					
27	060300616	Screw 3 × 6					
28	XC0100051	Thread breakage board assembly					
29	052300606	Screw 3 × 6					
30	X58694051	Thread guide cover					
31	X58804051	Arm thread guide assembly					
32	0A4300806	Screw 3 × 8 DA					
33	X57908051	Screw 4 × 10					
34	X58696151	Thread tension release plate B					
35	X58697151	Spring B					
36	120454051	Stop ring CS					
37	X58698051	Thread tension release plate C assembly					
38	X58701051	Solenoid holder assembly					
39	X57908051	Screw 4 × 10					
40	X58704051	Spring					
41	X55260152	Spool presser C					
42	X57045051	Felt					
43	X59416051	Thread guide plate A					
44	X57372051	Screw 2.6 × 8					



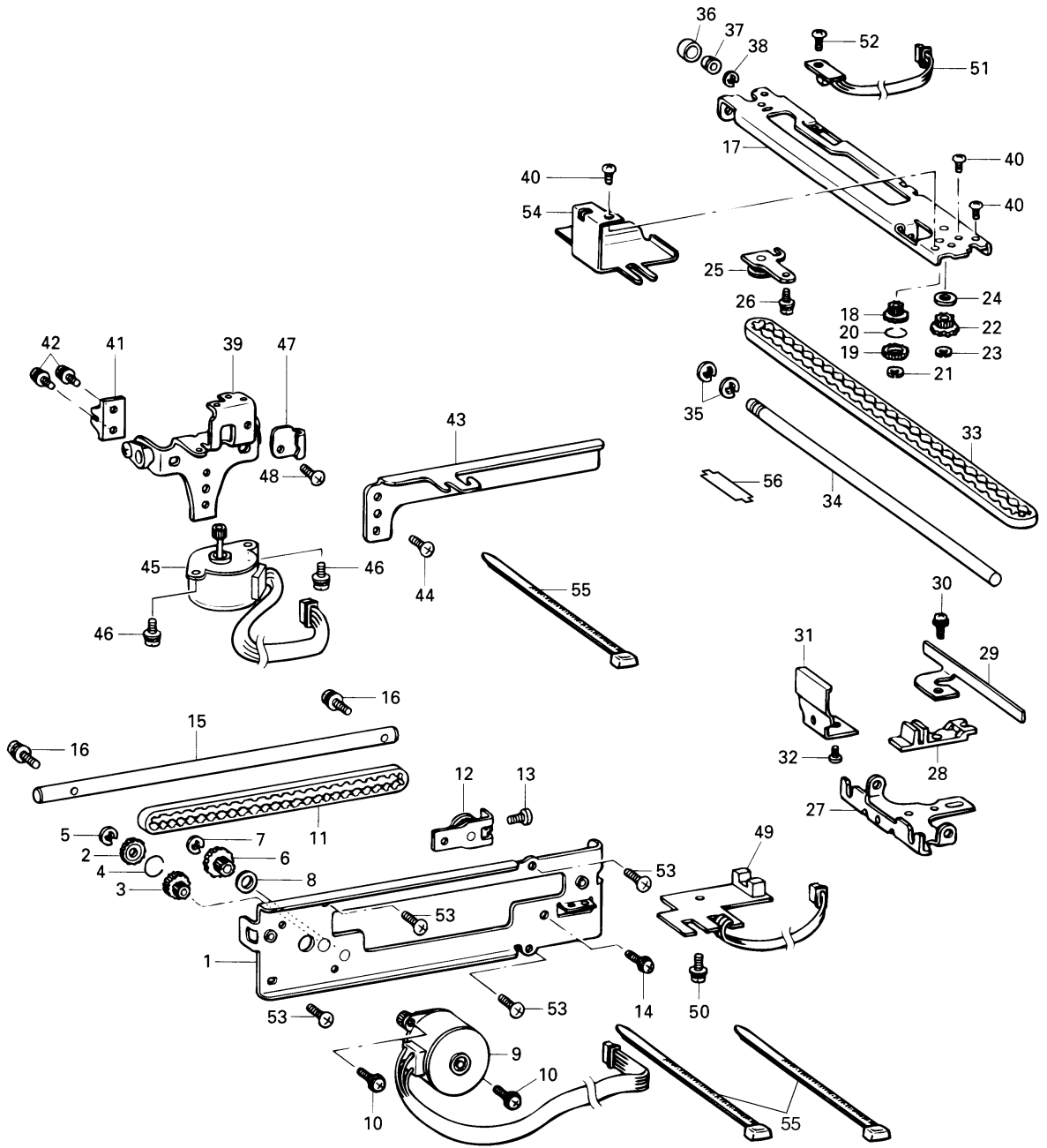
## (5) LAMP, ELECTRONIC PARTS, MOTOR AND POWER SUPPLY

No.	CODE	NAME	REMARKS	No.	CODE	NAME	REMARKS
1	X50228051	Sew-light bulb		32	X59354051	Power supply cord for UK	
2	X58709051	Sew-light bulb assembly		33	XA0442051	Main motor cover for 220V to 240V	
3	085301415	Screw 3 × 14		34	XZ0075051	Screw 4 × 10	
4	X81326051	Main PC board assembly (for U.S.A., CANADA)		35	X81047202	Power supply unit assembly for 120V	
	X81327051	Main PC board assembly (for Europe)			X81048102	Power supply unit assembly for 220V to 240V	
	X81328051	Main PC board assembly (for other countries)		36	025030336	Washer	
5	052300606	Screw 3 × 6		37	XA4871051	G Fuse 3.15A for 120V	
6	X58744051	Board installing plate			XC0283051	G Fuse 3.15A for 220V to 240V	
7	X57908051	Screw 4 × 10					
8	052401205	Screw 4 × 12					
9	XC0098052	SS PC board assembly					
10	X57300051	Screw 3 × 8					
11	X58749055	LCD module assembly					
12	085300815	Screw 3 × 8					
13	XZ0086050	Insulating washer 3					
14	XA0443051	Power supply unit cover					
15	085411415	Screw 4 × 14					
16	X59205051	Switch holder					
17	X57908051	Screw 4 × 10					
18	XC0659051	Motor unit for 120V					
	XC0663051	Motor unit for 220V to 240V					
19	X58759000	Motor pulley					
20	X58760000	Flange fan					
21	130676151	Collar					
22	014400632	Screw 4 × 6					
23	X58761051	Motor holder					
24	OA5301006	Screw 3 × 10 DA					
25	X53838051	Washer					
26	052401205	Screw 4 × 12 DA					
27	X58762051	Driver belt B124 XXL4.8					
28	XA4068051	Inlet assembly for 120V					
	XC0286051	Inlet assembly for 220V to 240V					
29	X59577051	Inlet installing plate					
30	0A4300805	Screw 3 × 8					
31	060400816	Screw 4 × 8					
32	XA2815051	Power supply cord for U.S.A. and Canada					
	XA0070051	Power supply core for Europe (except UK) and South Africa					
	X59328051	Power supply cord for Australia and New Zealand					



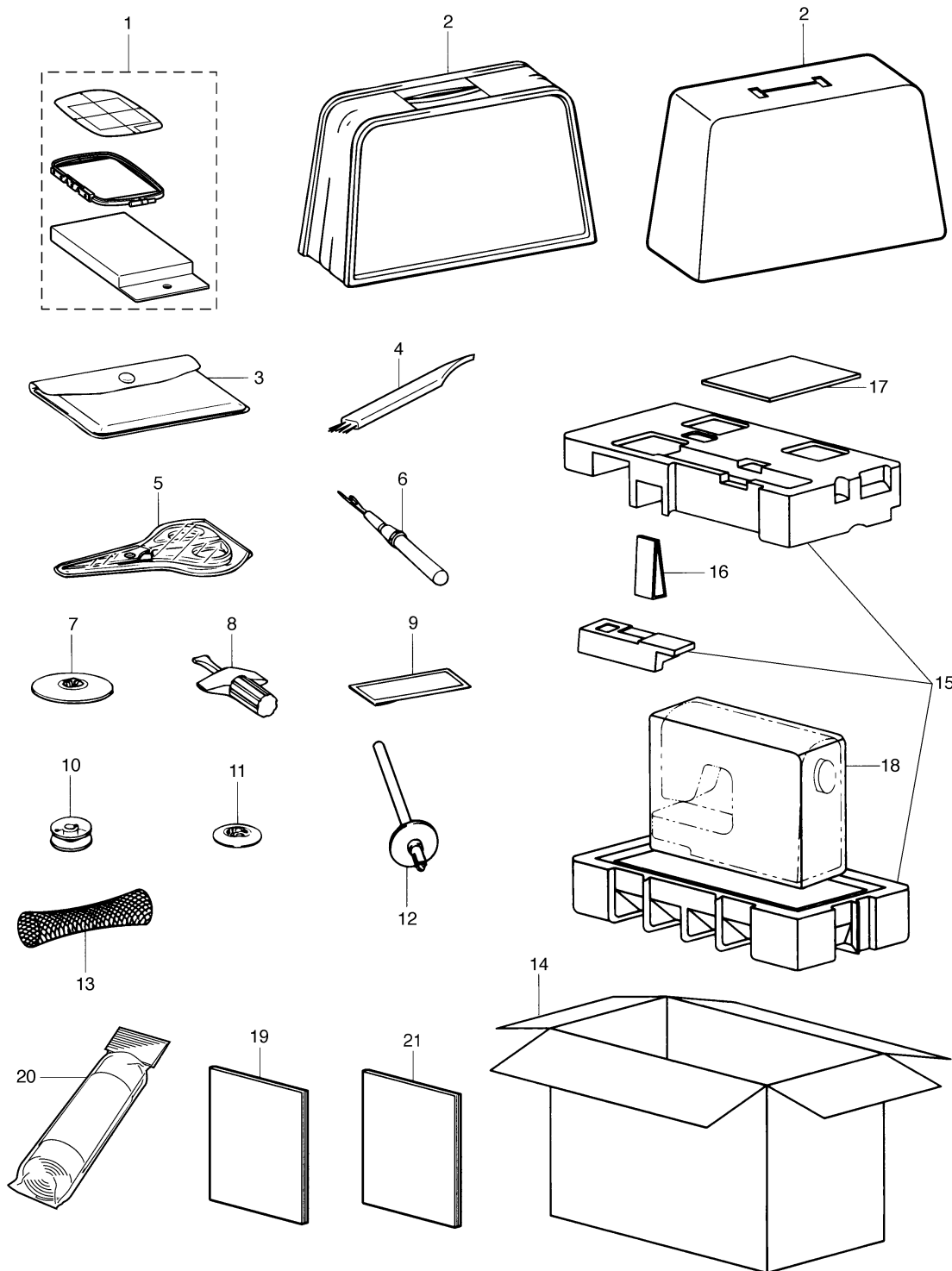
## (6) EMBROIDERY MECHANISM

No.	CODE	NAME	REMARKS	No.	CODE	NAME	REMARKS
1	X58713151	Main frame assembly		45	XA3701001	Y pulse motor	
2	X56321050	Intermediate gear A		46	0A4300506	Screw 3 × 5	CHG
3	X56322050	Intermediate gear B		47	X58731050	Cord guide	
4	X56323051	Gear spring		48	060300516	Screw 3 × 5	
5	048020346	Stop ring E2		49	XC0301051	X sensor board assembly	
6	X56352050	Y drive gear pulley		50	052300606	Screw 3 × 6	
7	048040346	Stop ring E4		51	X58259101	Y sensor board assembly	
8	026060235	Washer 6		52	000020415	Screw M2 × 4	CHG
9	XA3694001	X pulse motor		53	X57908051	Screw 4 × 10	
10	052300606	Screw 3 × 6		54	XA3700050	Gear Cover	
11	X58715051	X belt 40S2M400		55	X53169050	Bind	
12	X58716051	X tension pulley plate assembly		56	XA4480051	Y presser plate	
13	060300816	Screw M3 × 8					
14	052300606	Screw M3 × 6					
15	X58718151	X guide shaft					
16	052401406	Screw 4 × 14					
17	X58719101	X carriage assembly					
18	X56321050	Intermediate gear A					
19	X56322050	Intermediate gear B					
20	X56323051	Gear spring					
21	048020346	Stop ring E2					
22	X56352050	Y drive gear pulley					
23	048040346	Stop ring E4					
24	026060235	Washer 6					
25	XA3695051	Y tension pulley plate assembly					
26	052300606	Screw 3 × 6					
27	XA3697001	Y carriage					
28	X58272150	Y slider					
29	X58724051	Y shutter					
30	052300606	Screw 3 × 6					
31	X58725001	Notched spring					
32	060300416	Screw 3 × 4					
33	X56354051	Y belt 40S2M360					
34	XA3698051	Y guide shaft					
35	048040346	Stop ring E4					
36	X51657050	Roller rubber					
37	X51658050	Roller wheel					
38	048025346	Stop ring E2.5					
39	XA3699051	X carriage support assembly					
40	060300516	Screw 3 × 5					
41	X58729050	X belt presser					
42	0A4300806	Screw 3 × 8 DA					
43	X58730151	X initial shutter					
44	060300516	Screw 3 × 5					



### (7) OTHER PARTS

No.	CODE	NAME	REMARKS
1	XA3727002	Embroidery frame A3 assembly for U.S.A., CANADA (UPC)	
	XA3727001	Embroidery frame A3 assembly (EAN)	
2	X59351051	Machine cover (Soft type)	
3	XA1363051	Bag	
4	XA4527001	Brush	
5	184783001	Scissors	
6	X54243001	Ripper	
7	130012053	Spool presser A	
8	X53666051	Screwdriver	
9	X59535051	Needle set	
10	XA3811051	Bobbin 10pcs. for U.S.A., CANADA	
	XA3812051	Bobbin 10pcs.	
11	130013153	Spool presser B	
12	130920051	Assist spool stand bar	
13	XA5523050	Net	
14	X60613060	Carton	
15	X60487150	Styrofoam	
16	X60484050	Carriage support carton	
17	X60614050	Space pad carton	
18	163562050	Vinyl bag	
19	191213111	Instruction manual (English/Spanish)	
	191213112	Instruction manual (French/Dutch)	
	191213113	Instruction manual (German/French)	
20	X80914002	Backing material for U.S.A., CANADA	
	X80914001	Backing material	
21	191211060	Disney manual	





PE-180D  
H1060206