

# **brother**

## **PARTS CATALOGUE FOR COMPUTERIZED SEWING MACHINE EMBROIDERY MACHINE**

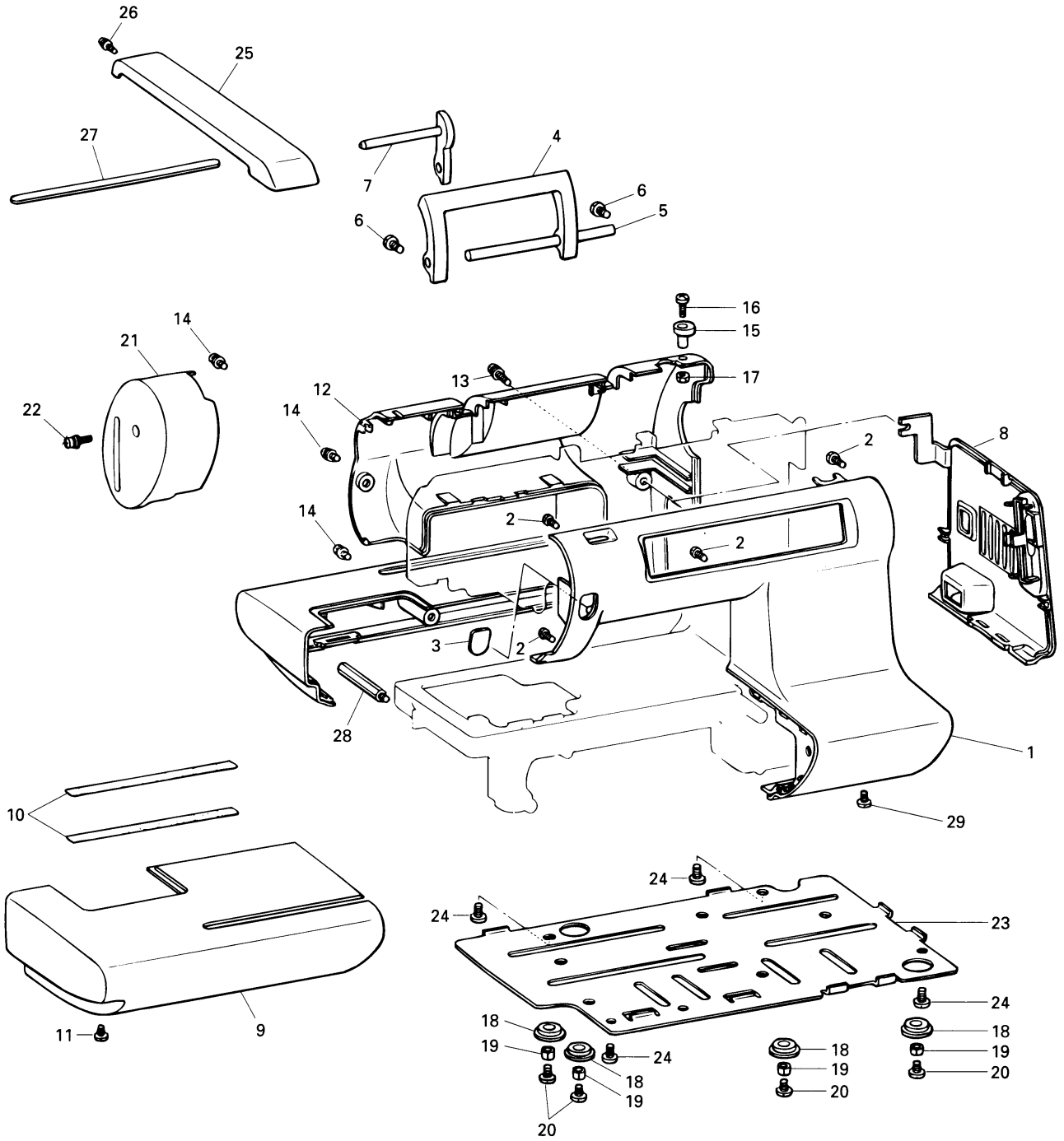
### **PE-150**

# CONTENTS

(1) PRINCIPAL PARTS AND DISPLAY .....	2
(2) NEEDLE BAR AND PRESSER BAR.....	4
(3) BALANCE, ROTARY HOOK AND UPPER SHAFT ...	6
(4) VERTICAL SHAFT, BOBBIN WINDER AND THREADING MECHANISM .....	8
(5) LAMP, ELECTRONIC PARTS, MOTOR AND POWER SUPPLY .....	10
(6) EMBROIDERY MECHANISM.....	12
(7) ACCESSORIES, PACKAGES .....	14

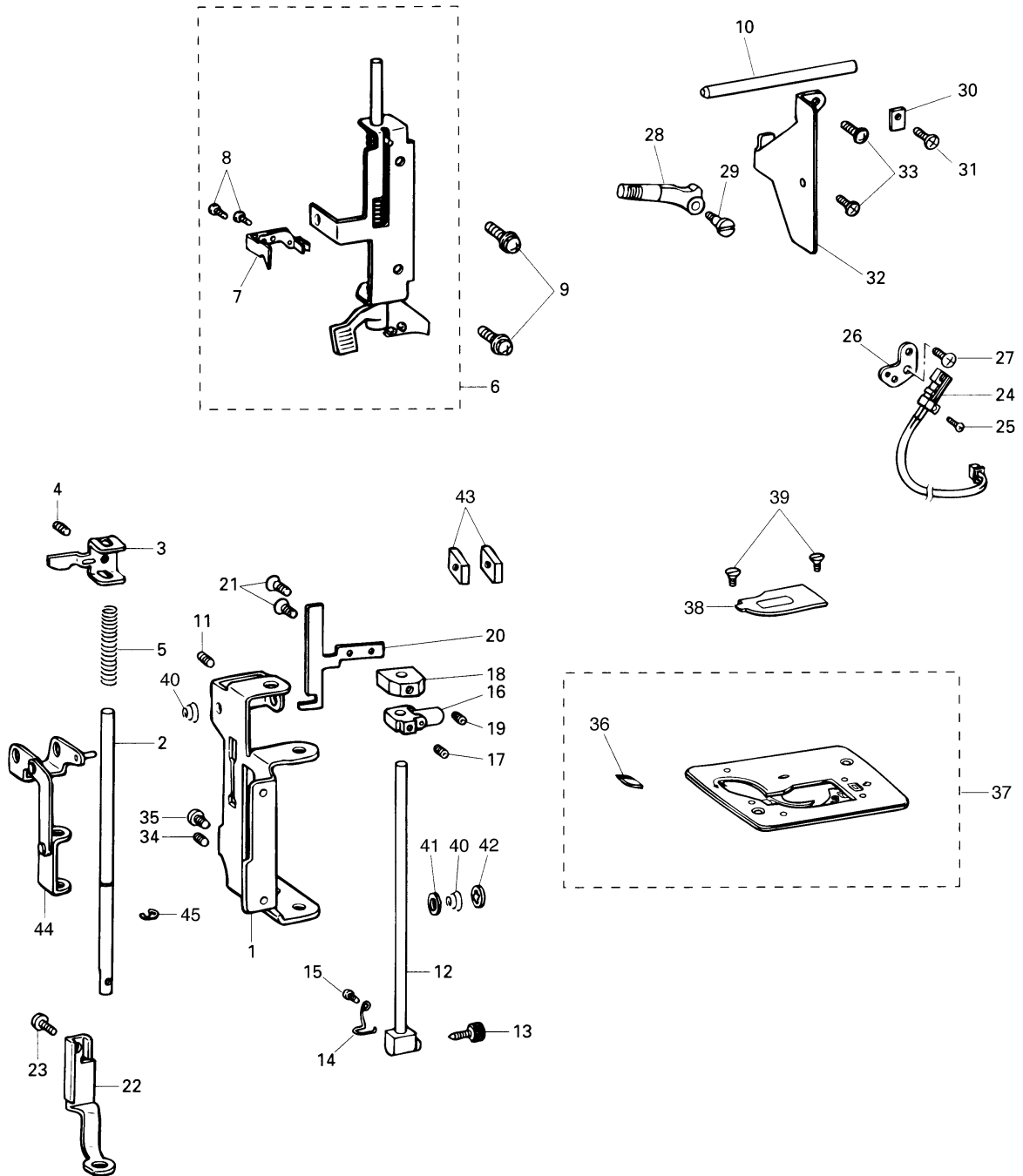
## (1) PRINCIPAL PARTS AND DISPLAY

No.	CODE	NAME	REMARKS
1	XA6705001	Front cover	
2	138444001	Screw 4 × 14	
3	X58645004	SS button (Arrow)	
4	X58643051	Carrying handle	
5	X58644051	Carrying handle shaft	
6	052401406	Screw 4 × 14	
7	X58708001	Spool stand bar	
8	X59537001	Belt cover	
9	X58648101	Main cover	
10	X58649001	Groove cover	
11	085300815	Screw 3 × 8	
12	X59801102	Rear cover (with logo)	
13	052401406	Screw 4 × 14	
14	052400806	Screw 4 × 8	
15	121846001	Bobbin presser	
16	062301616	Screw M3 × 16	
17	021300106	Nut 3	
18	X55942100	Rubber cushion	
19	X56474001	Spacer	
20	X57908051	Screw 4 × 10	
21	X58653001	Face plate	
22	052400806	Screw 4 × 8	
23	X58655001	Base cover	
24	X57908051	Screw 4 × 10	
25	X58657102	X carriage cover	
26	052300606	Screw 3 × 6	
27	X58765001	Slider plate	
28	X59368051	Stud bolt	
29	085300815	Screw 3 × 8	



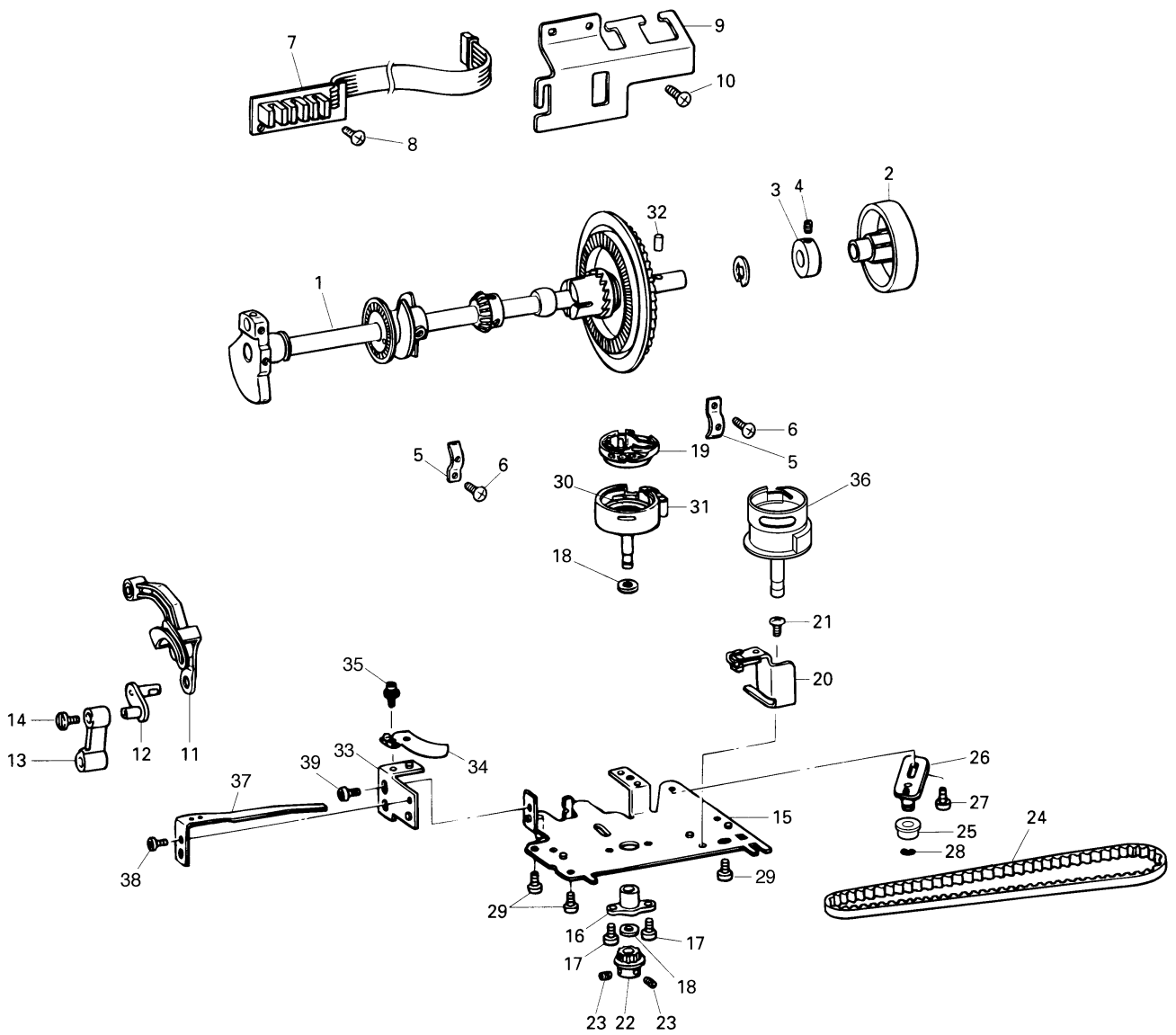
## (2) NEEDLE BAR AND PRESSER BAR

No.	CODE	NAME	REMARKS	No.	CODE	NAME	REMARKS
1	XA0415001	Presser unit holder		45	048040346	Stop ring E4	
2	XA3623051	Presser bar					
3	XA3626051	Presser bar bracket					
4	014400632	Screw 4 × 6					
5	XA3624001	Presser bar spring					
6	XA0419001	Thread guide assembly					
7	XA0445101	Hook assembly					
8	037200416	Screw 2 × 4					
9	052300606	Screw 3 × 6					
10	X58772151	Thread take-up lever stud					
11	014400632	Screw 4 × 6					
12	X55185001	Needle bar assembly					
13	XA4052001	Needle clamp screw					
14	X55187100	Needle bar thread guide					
15	062020416	Screw 2 × 4					
16	XA0425001	Needle bar block assembly					
17	014400432	Screw 4 × 4					
18	XA0429000	Positioning supporter					
19	012400432	Screw 4 × 4					
20	XA0430051	Needle threader position setter					
21	004260405	Screw 26 × 4					
22	XA3625001	Embroidery presser					
23	060400616	Screw 4 × 6					
24	X59478001	Presser switch assembly					
25	062260516	Screw 2.6 × 5					
26	X58676051	Presser switch holder					
27	X57908051	Screw 4 × 10					
28	X58677051	Presser foot lever					
29	X55168001	Stud screw M4					
30	X50532001	Shaft presser plate					
31	X57908051	Screw 4 × 10					
32	XA0431051	Face plate base plate					
33	X57908051	Screw 4 × 10					
34	012400632	Screw 4 × 6					
35	060301216	Screw 3 × 12					
36	X80321001	Lower thread cutter					
37	XA3633001	Needle plate assembly					
38	X56828151	Needle plate cover					
39	X50487001	Screw M4					
40	X57822101	Needle bar presser spring					
41	X58511100	Washer					
42	109763003	Washer					
43	XA1298000	Spacer					
44	XA3627051	Presser link assembly					



### (3) BALANCE, ROTARY HOOK AND UPPER SHAFT

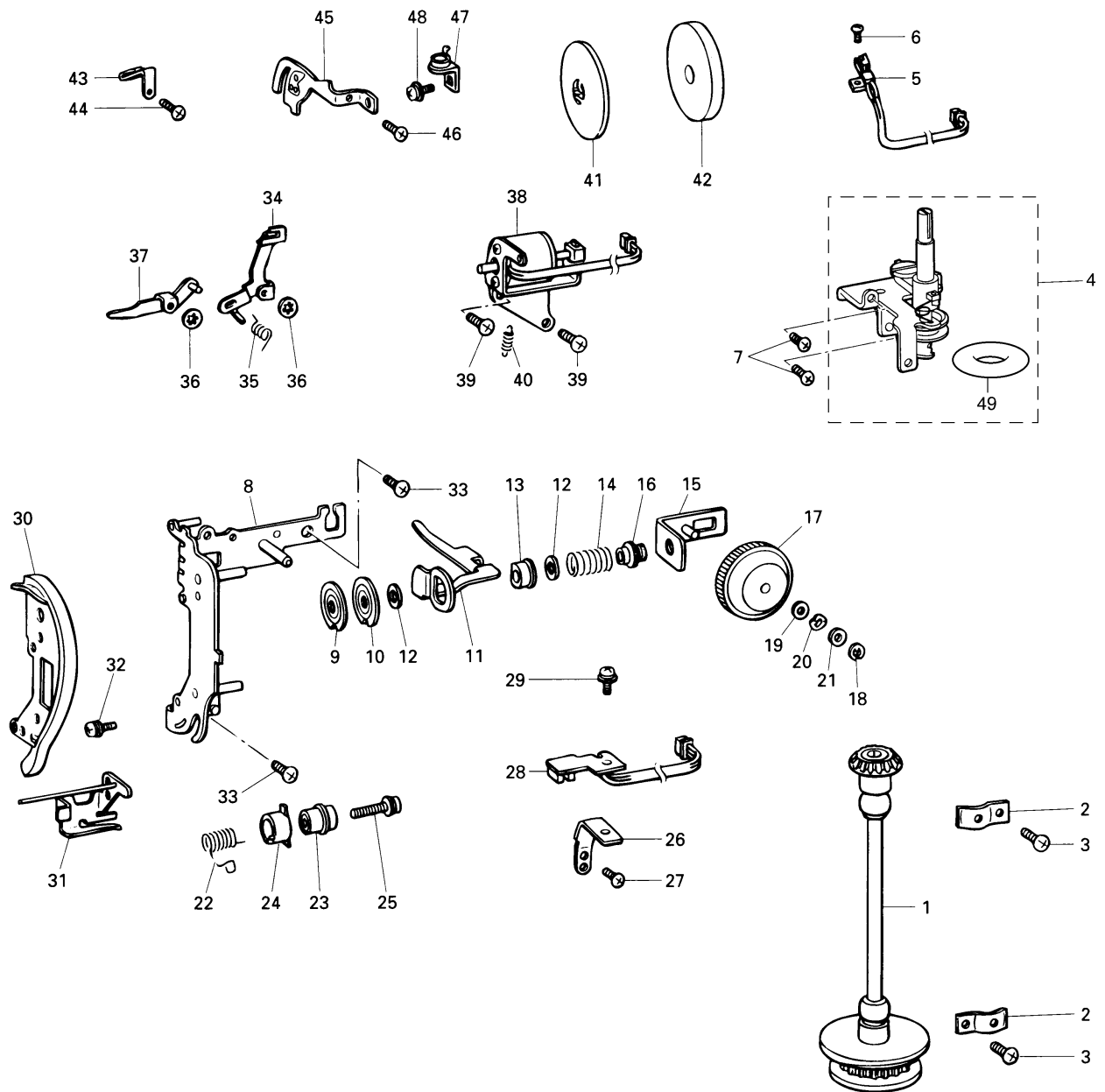
No.	CODE	NAME	REMARKS
1	XA3719101	Upper shaft assembly	
2	X55147001	Hand wheel	
3	130096151	Collar	
4	014400632	Screw 4 × 6	
5	132421001	Lower shaft bushing presser	
6	060401216	Screw 4 × 12	
7	XA0450101	NP PC board assembly	
8	060400816	Screw 4 × 8	
9	X58763051	Shutter cover	
10	X57908051	Screw 4 × 10	
11	X58776151	Thread take-up assembly	
12	X59571051	Needle bar crank	
13	X55197050	Needle bar crank rod	
14	X59572051	Screw 3.57	
15	XA6697001	Rotary hook shaft frame assembly	
16	XA3644000	Shaft supporter for Europe	
	XA6698000	Shaft supporter for U.S.A., CANADA	
17	060300616	Screw 3 × 6	
18	137805001	Spacer	
19	XA5651001	Inner rotary hook assembly	
20	X59803001	Inner rotary hook bracket assembly	
21	060400616	Screw M4 × 6	
22	138417000	Rotary hook shaft pulley	
23	014400632	Screw 4 × 6	
24	X58784001	Timing belt 200 XL015	
25	X50079000	Belt tension pulley	
26	XA3645051	Pulley plate assembly	
27	052300606	Screw 3 × 6	
28	048060346	Stop ring E6	
29	X57908051	Screw 4 × 10	
30	X59310001	Outer rotary hook washer for Europe	
31	XA0479001	Outer rotary hook assembly for Europe	
32	X51920001	Needle roller bearing	
33	XA3660050	Fixed blade holder	
34	XA3661100	Inner rotary hook holder	
35	052300606	Screw 3 × 6	
36	XA6699001	Outer rotary hook assembly for U.S.A., CANADA	
37	XA3664001	Lower thread guide plate assembly	
38	060300616	Screw 3 × 6	
39	060400616	Screw 4 × 6	





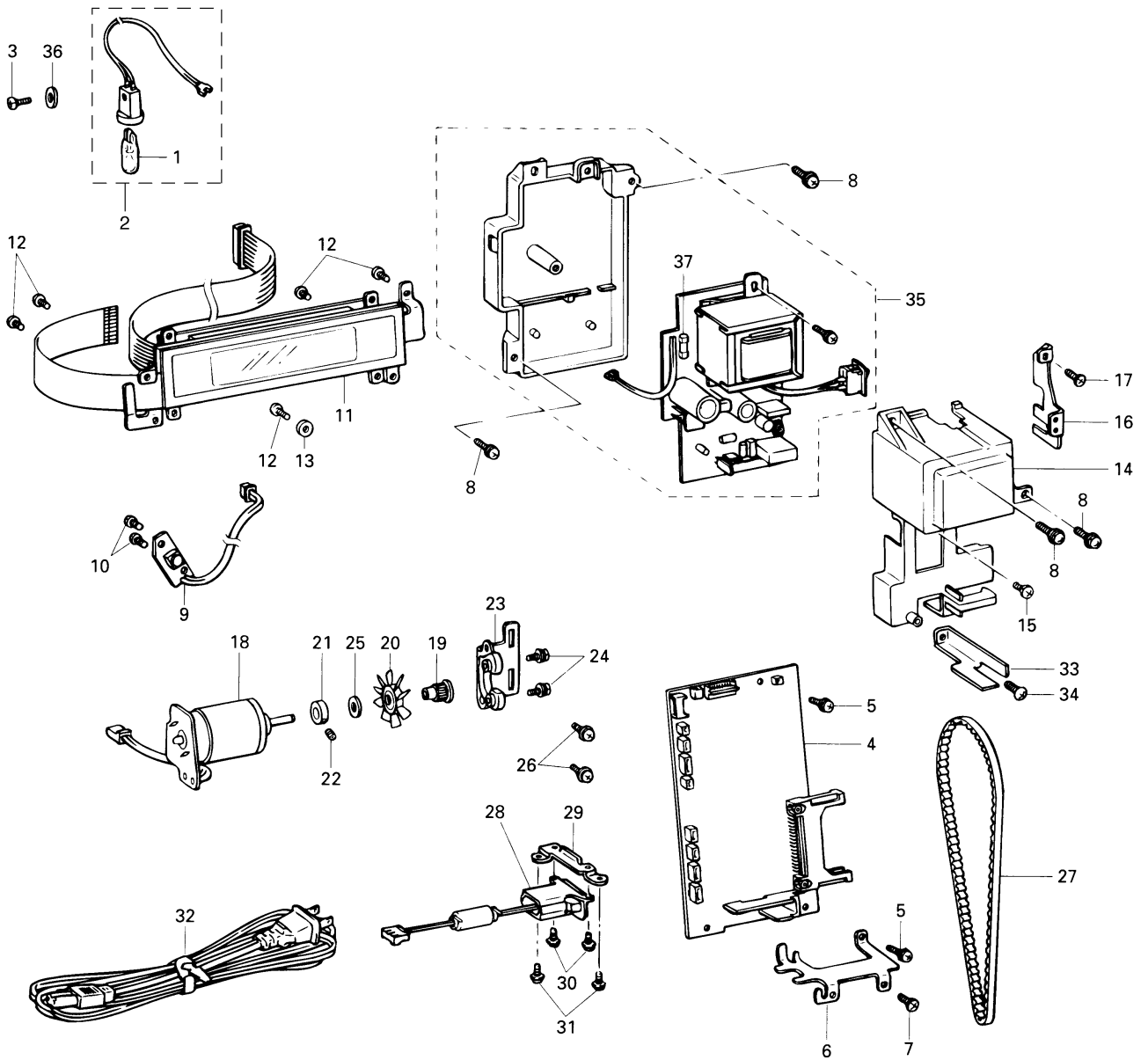
#### (4) VERTICAL SHAFT, BOBBIN WINDER AND THREADING MECHANISM

No.	CODE	NAME	REMARKS	No.	CODE	NAME	REMARKS
1	X58785001	Vertical shaft assembly		45	X58706101	Thread guide plate B assembly	
2	132421001	Lower shaft bushing presser		46	085300815	Screw 3 × 8	
3	060401216	Screw 4 × 12		47	X53252051	Spool guide assembly	
4	X58787051	Bobbin winder assembly		48	052300606	Screw 3 × 6	
5	X56202001	Bobbin winder switch assembly		49	120448051	Rubber band	
6	062260516	Screw 2.6 × 5					
7	X57908051	Screw 4 × 10					
8	X58681151	Thread guide plate sub assembly					
9	108263001	Thread tension disc					
10	129376001	Thread tension disc					
11	X58686051	Thread tension release plate A					
12	109763003	Washer					
13	137881001	Spring seat					
14	X58687101	Spring					
15	X58688051	Thread tension plate assembly					
16	137878051	Thread tension adjusting screw					
17	X55253003	Thread tension dial					
18	048030346	Stop ring E3					
19	137999000	Washer					
20	137991001	Washer					
21	025040133	Washer 4					
22	X59432051	Thread take-up spring					
23	X53828001	Thread take-up spring case					
24	X58316001	Thread breakage shutter					
25	0A4402005	Screw 4 × 20 DA					
26	X58691051	Thread breakage sensor holder					
27	060300616	Screw 3 × 6					
28	XA0453001	Thread breakage board assembly					
29	052300606	Screw 3 × 6					
30	X58694001	Thread guide cover					
31	X58804051	Arm thread guide assembly					
32	538773001	Screw 3 × 8 DA					
33	X57908051	Screw 4 × 10					
34	X58696151	Thread tension release plate B					
35	X58697151	Spring B					
36	120454001	Stop ring CS					
37	X58698051	Thread tension release plate C assembly					
38	X58701001	Solenoid holder assembly					
39	X57908051	Screw 4 × 10					
40	X58704051	Spring					
41	X55260002	Spool presser C					
42	X57045001	Felt					
43	X59416001	Thread guide plate A					
44	U22725001	Screw 2.6 × 8					



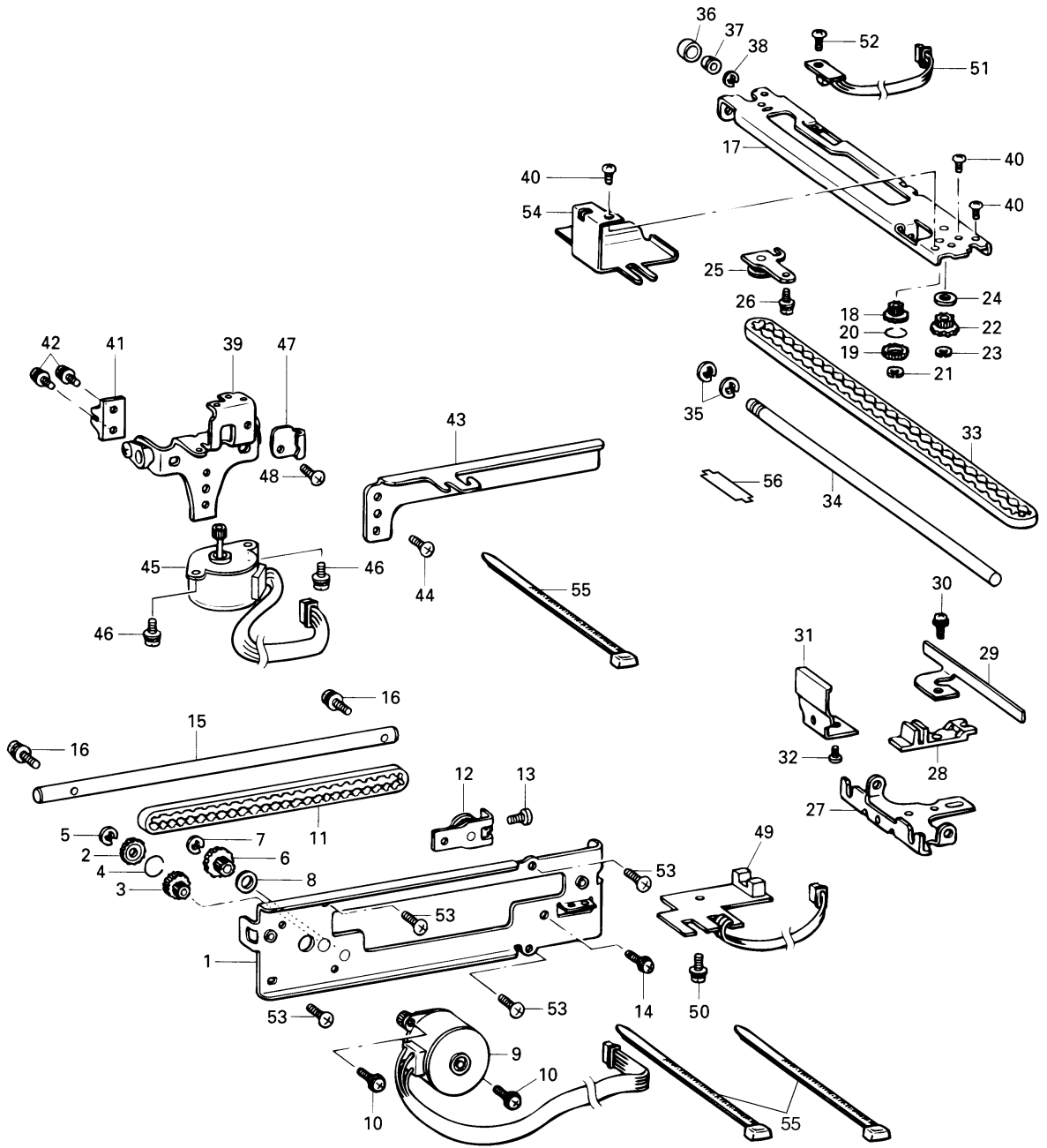
## (5) LAMP ELECTRONIC PARTS, MOTOR AND POWER SUPPLY

No.	CODE	NAME	REMARKS	No.	CODE	NAME	REMARKS
1	X50228001	Sew-light bulb		29	X59577001	Inlet installing plate	
2	X58709001	Sew-light bulb assembly		30	0A4300805	Screw 3 8	
3	085301415	Screw 3 14		31	060400816	Screw 4 8	
4	X81156001	Main PC board assembly for U.S.A., CANADA		32	XA2815051	Power supply cord for U.S.A. and Canada	
	X81157001	Main PC board assembly for IRELAND, GERMANY, BELGIUM, U.K., FARNCE, NORWAY, NETHERLANDS, AUSTRIA, GREECE, SWEDEN, SPAIN, PORTUGAL, ITALY, FINLAND, SWITZERLAND, DENMARK, GIBRALTAR, ICELAND, MALTA, MONACO, AUSTRALIA, NEW ZEALAND and SOUTH AFRICA			XA0070051	Power supply core for Europe (except UK) and South Africa	
	X81158001	Main PC board assembly for other countries			X59328051	Power supply cord for Australia and New Zealand	
			X57079001		Power supply cord for UK		
5	052300606	Screw 3 6		33	XA0442001	Main motor cover for 220V to 240V	
6	X58744051	Board installing plate		34	138173001	Screw 4 10	
7	X57908051	Screw 4 10		35	X81047201	Power supply unit assembly for 120V	CHG
8	052401205	Screw 4 12			X81048101	Power supply unit assembly for 220V to 240V	CHG
9	X58746101	SS PC board assembly		36	025030336	Washer	
10	087310815	Screw 3 8		37	X55397001	G Fuse 3.15A for 120V	
11	X58749012	LCD module assembly			X53477001	G Fuse 3.15A for 220V to 240V	
12	085300815	Screw 3 8					
13	X57005000	Insulating washer 3					
14	XA0443001	Power supply unit cover					
15	138444001	Screw 4 14					
16	X59205001	Switch holder					
17	X57908051	Screw 4 10					
18	XA0462001	Motor unit for 120V					
	XA0468001	Motor unit for 220V to 240V					
19	X58759000	Motor pulley					
20	X58760000	Flange fan					
21	130676151	Collar					
22	014400632	Screw 4 6					
23	X58761051	Motor holder					
24	X50020001	Screw 3 10 DA					
25	X53838001	Washer					
26	138172001	Screw 4 10 DA					
27	X58762001	Driver belt B124 XXL4.8					
28	XA4068001	Inlet assembly for 120V					
	X59545001	Inlet assembly for 220V to 240V					



## (6) EMBROIDERY MECHANISM

No.	CODE	NAME	REMARKS	No.	CODE	NAME	REMARKS
1	X58713151	Main frame assembly		45	XA3701001	Y pulse motor	
2	X56321000	Intermediate gear A		46	575039003	Screw 3 × 5	
3	X56322000	Intermediate gear B		47	X58731050	Cord guide	
4	X56323051	Gear spring		48	060300516	Screw 3 × 5	
5	048020346	Stop ring E2		49	XA0470001	X sensor board assembly	
6	X56352000	Y drive gear pulley		50	052300606	Screw 3 × 6	
7	048040346	Stop ring E4		51	X58259101	Y sensor board assembly	
8	026060235	Washer 6		52	060020416	Screw M2 × 4	
9	XA3694001	X pulse motor		53	X57908051	Screw 4 × 10	
10	052300606	Screw 3 × 6		54	XA3700050	Gear Cover	
11	X58715001	X belt 40S2M400		55	124240001	Bind	
12	X58716001	X tension pulley plate assembly		56	XA4480001	Y presser plate	
13	060300816	Screw M3 × 8					
14	052300606	Screw M3 × 6					
15	X58718151	X guide shaft					
16	052401406	Screw 4 × 14					
17	X58719101	X carriage assembly					
18	X56321000	Intermediate gear A					
19	X56322000	Intermediate gear B					
20	X56323051	Gear spring					
21	048020346	Stop ring E2					
22	X56352000	Y drive gear pulley					
23	048040346	Stop ring E4					
24	026060235	Washer 6					
25	XA3695001	Y tension pulley plate assembly					
26	052300606	Screw 3 × 6					
27	XA3697001	Y carriage					
28	X58272100	Y slider					
29	X58724001	Y shutter					
30	052300606	Screw 3 × 6					
31	X58725001	Notched spring					
32	060300416	Screw 3 × 4					
33	X56354001	Y belt 40S2M360					
34	XA3698051	Y guide shaft					
35	048040346	Stop ring E4					
36	X51657000	Roller rubber					
37	X51658000	Roller wheel					
38	048025346	Stop ring E2.5					
39	XA3699001	X carriage support assembly					
40	060300516	Screw 3 × 5					
41	X58729000	X belt presser					
42	538773001	Screw 3 × 8 DA					
43	X58730151	X initial shutter					
44	060300516	Screw 3 × 5					



## (7) ACCESSORIES, PACKAGES

No.	CODE	NAME	REMARKS
1	XA3727002	Embroidery frame A3 assembly for U.S.A., CANADA	
	XA3727001	Embroidery frame A3 assembly	
2	XA0181051	Machine cover	
	X59351001	Machine cover (Soft type)	
3	128369003	Bag	
4	XA4527001	Brush	
5	184783001	Scissors	
6	X54243001	Ripper	
7	130012003	Spool presser A	
8	X53666001	Screwdriver	
9	X59535001	Needle set	
10	XA3811051	Bobbin 10pcs. for U.S.A., CANADA	
	XA3812051	Bobbin 10pcs.	
11	130013003	Spool presser B	
12	130920051	Assist spool stand bar	
13	127610000	Net	
14	X61268001	Carton	
15	X60487100	Styrofoam	
16	X60484000	Carriage support carton	
17	X60614000	Space pad carton	
18	163562000	Vinyl bag	
19	191213011	Instruction manual (English/Spanish)	
	191213012	Instruction manual (French/Dutch)	
	191213013	Instruction manual (German/French)	
20	X80914002	Backing material for U.S.A., CANADA	
	X80914001	Backing material	

