

# **PARTS CATALOGUE FOR COMPUTERIZED SEWING MACHINE**

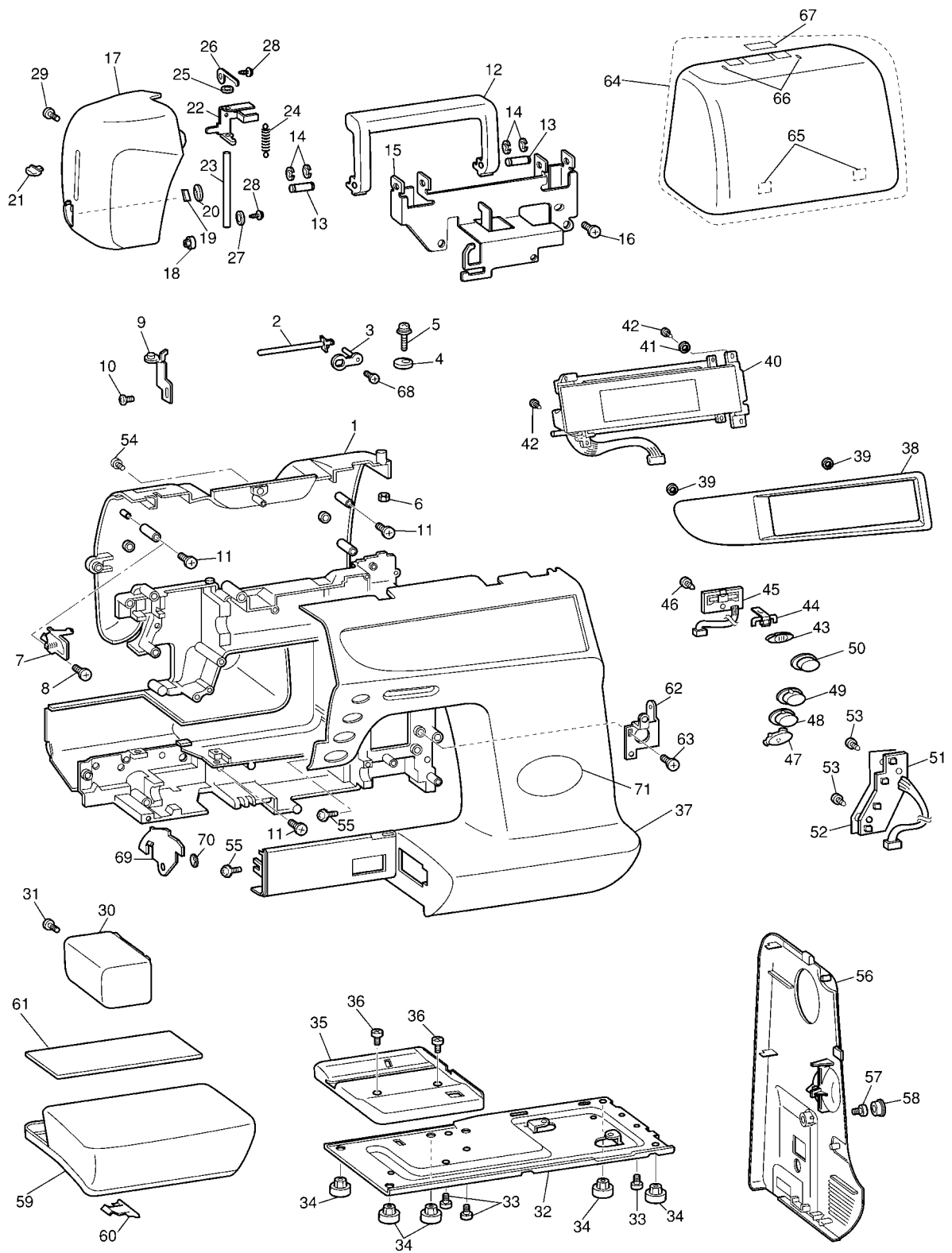
**PC6500**

# CONTENTS

(1) PRINCIPAL PARTS .....	2
(2) UPPER SHAFT AND NEEDLE BAR.....	4
(3) FEED MECHANISM .....	8
(4) ROTARY HOOK, THREAD GUIDE AND THREAD CUTTING.....	10
(5) LAMP, MAIN PC BOARD ASSEMBLY AND MOTOR UNIT .....	12
(6) EMBROIDERY UNIT .....	14
(7) ACCESSORY .....	16

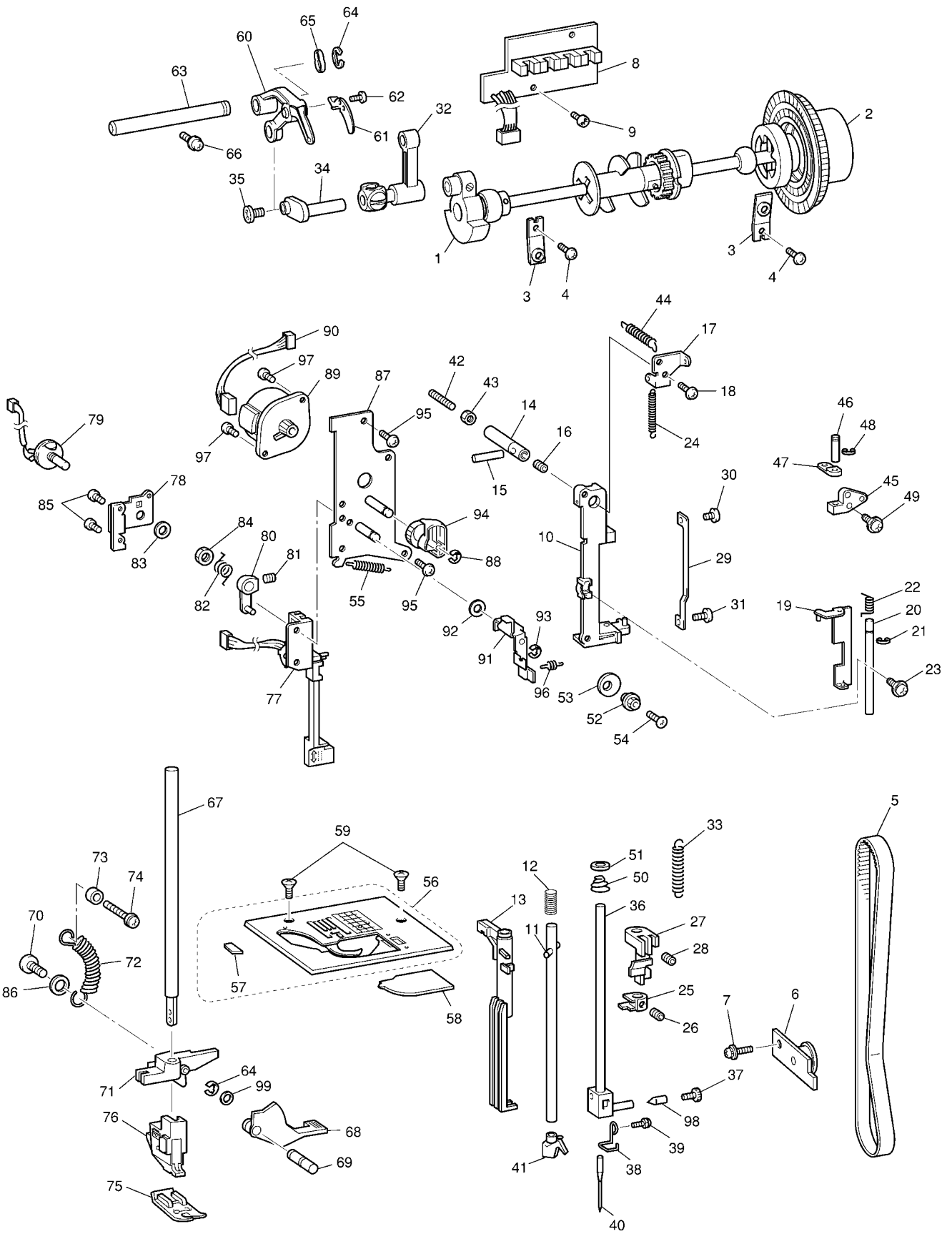
## (1) PRINCIPAL PARTS

No.	CODE	PARTS NAME	REMARKS	No.	CODE	PARTS NAME	REMARKS
1	XA2880353	Rear cover for PC-6500		45	XA2905001	VR board assembly	
2	X59053051	Spool pin		46	136681001	Taptite, Bind B M3 × 8	
3	XA7273051	Spool pin holder assembly		47	XA4321001	SS button	
4	XA4324001	Bobbin presser		48	XA2908001	Reverse sewing button	
5	052301606	Screw, Pan M3 × 16		49	XA2909001	NP button	
6	021300106	Nut, 1 M3		50	XA8395001	Thread cutting button	
7	XA8279001	Thread guide plate assembly		51	XA4301001	SS board assembly	
8	138433001	Taptite, Pan B M3 × 6		52	XA2901100	Insulation sheet	
9	XA8342051	Thread guide holder		53	138433001	Taptite, Pan B M3 × 6	
10	060300416	Screw, Bind M3 × 4		54	087411415	Taptite, Cup B M4 × 14	
11	087411415	Taptite, Cup B M4 × 14		55	U12017001	Screw, Pan (T washer) M3 × 6	
12	XA2476051	Carrying handle		56	XA8240052	Belt cover	
13	XA2886051	Carrying handle shaft		57	060400616	Screw, Bind M4 × 6	
14	048040346	Retaining ring, E4		58	X50442001	Screw cover	
15	XA2887251	Handle holder		59	XA1816001	Accessory table assembly	
16	X57908051	Taptite, Bind S M4 × 10		60	138644051	Accessory table notched spring	
17	XA2889052	Face plate		61	X51434000	Sponge	
18	X51895051	Face plate bush		62	XA1820050	Set plate D	
19	X80321001	NT thread cutter assembly		63	X57908051	Taptite, Bind S M4 × 10	
20	XA0199001	Retaining ring, CSTW-8		64	XA5555001	Case assembly	
21	XA2943001	Needle threader lever knob		65	125440050	Case felt	
22	XA1801001	Needle threader lever		66	XZ0016050	Case felt	
23	X51469001	Needle threader lever shaft		67	XA3028051	Decoration plate	
24	138260001	Spring, Extension		68	138433001	Taptite, Pan B M3 × 6	
25	129935000	Washer		69	XA1814351	Cover	
26	XA6320000	Shaft presser plate		70	146200001	Retaining ring, CS4	
27	513159001	Washer		71	XA4308001	Decoration plate	
28	138433001	Taptite, Pan B M3 × 6					
29	060401616	Screw, Bind M4 × 16					
30	XA1803151	Free arm cover					
31	0A6400806	Screw, Pan (S/P Washer) M4 × 8					
32	XA6188151	Base plate					
33	X57908051	Taptite, Bind S M4 × 10					
34	XA1805051	Rubber cushion A					
35	XA1806051	Base cover					
36	060400616	Screw, Bind M4 × 6					
37	XA8295052	Front cover					
38	XA4299003	Panel decoration plate					
39	146200001	Retaining ring, CS4					
40	XA3592009	LCD module assembly					
41	XA2220050	Circuit board presser					
42	U06923002	Taptite, Bind B M3 × 10					
43	XA2903001	S key top					
44	XA2904000	SV connecting block					

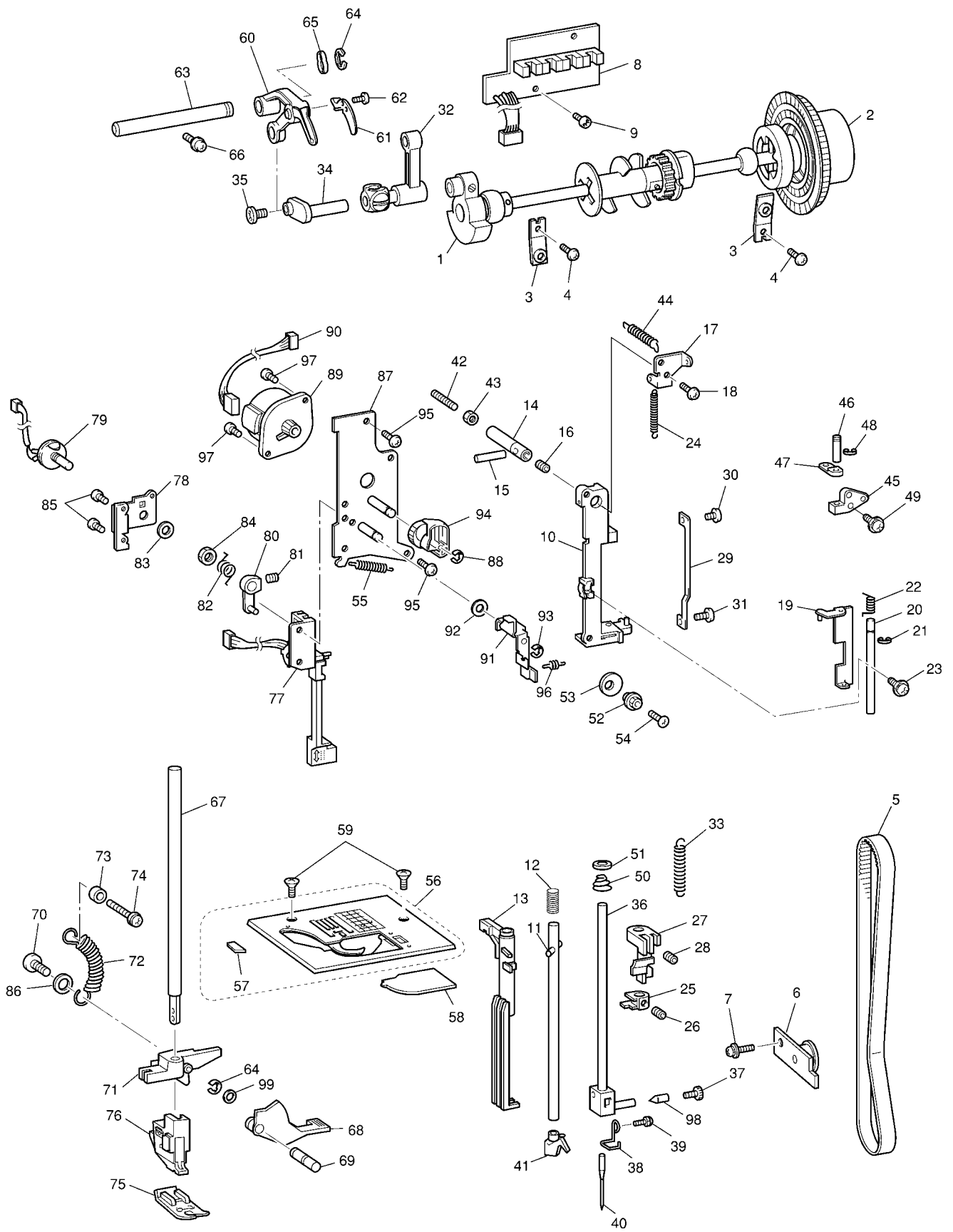


## (2) UPPER SHAFT AND NEEDLE BAR

No.	CODE	PARTS NAME	REMARKS	No.	CODE	PARTS NAME	REMARKS
1	XA1824101	Upper shaft assembly		45	XA1857051	Needle bar supporter stud holder	
2	X59879051	Pulley		46	XA1859051	Needle bar supporter stud	
3	X52478001	Presser plate A		47	X56464001	Needle bar supporter arm	
4	X57908051	Taptite, Bind S M4 × 10		48	048025346	Retaining ring, E2.5	
5	X53125001	Timing belt 176 × L031		49	XA0649051	Taptite, Cup S M4 × 14	
6	XA1830051	Tension pulley assembly		50	X57822101	Spring, Compression	
7	138172001	Screw, Pan (S/P Washer) M4 × 10		51	X58511100	Thrust washer	
8	XA4922151	NP board assembly		52	X50559050	Nut	
9	533777001	Screw, Pan (S/P Washer) M4 × 8		53	XA1860150	Washer	
10	XA2198051	Needle bar supporter assembly		54	062301006	Screw, Pan M3 × 10	
11	XA1839051	Needle threader shaft assembly		55	XA1861051	Spring, Extension	
12	129839001	Spring, Compression		56	XA2916001	Needle plate	
13	XA1841001	Needle threader slider		57	X80321001	NT thread cutter assembly	
14	XA1842051	Needle bar supporter stud A		58	X56828151	Needle plate cover	
15	X56551000	Needle bar supporter stud C		59	X50487001	Screw	
16	014400432	Set screw, Socket (CP) M4 × 4		60	XA1862051	Thread take-up lever assembly	
17	XA1843150	Set plate		61	XA1864050	Thread take-up lever plate	
18	060300616	Screw, Bind M3 × 6		62	008020316	Screw, Truss M2 × 3	
19	XA1844051	Needle release lever assembly		63	XA1865051	Thread take-up lever stud	
20	XA1847051	Needle release lever shaft		64	048050346	Retaining ring E5	
21	048025346	Retaining ring, E2.5		65	XA1866001	Washer, Wave spring	
22	XA1848051	Spring, Torsion		66	XA0649051	Taptite, Cup S M4 × 14	
23	0A2300806	Screw, Pan (S/P Washer) M3 × 8		67	XA5854001	Presser bar	
24	X57758051	Spring, Extension		68	XA1868051	Presser foot lifter	
25	X55983150	Needle threader position setter		69	XA5919050	Stud for presser foot lifter	
26	012400432	Set screw, Socket (FT) M4 × 4		70	X52760051	Set screw, Pan M6 × 12	
27	X55984101	Needle bar block assembly		71	XA1870151	Presser bar clamp assembly	
28	012400432	Set screw, Socket (FT) M4 × 4		72	137736051	Spring	
29	X55990001	Needle bar guide		73	XA6935001	Spacer	
30	060300416	Screw, Bind M3 × 4		74	XA0649051	Taptite, Cup S M4 × 14	
31	061300516	Screw, Flat M3 × 5		75	137748101	Zigzag presser foot	
32	X55991051	Needle bar crank rod assembly		76	XA5855001	Presser holder assembly	
33	X58237001	Spring, Extension		77	XA6899001	BH switch plate assembly	
34	XA2389051	Needle bar crank		78	XA2222001	PT holder	
35	132051001	Screw, Flat SM3.57L		79	X58035001	Cloth selecting sensor	
36	XA1849101	Needle bar assembly		80	XA6493001	PT lever	
37	XZ0002051	Screw		81	012300632	Set screw, Socket (FT) M3 × 6	
38	XA1851000	Needle bar thread guide		82	XA1894051	Spring, Torsion	
39	008020316	Screw, Truss M2 × 3		83	026060235	Washer, Plain 6	
40	117914011	Needle HA × 130		84	X52569001	Nut	
41	XA1854001	Threader hook assembly		85	060300816	Screw, Bind M3 × 8	
42	014401632	Set screw, Socket (CP) M4 × 16		86	U82249001	Washer	
43	X56851051	Nut		87	XA1989151	ZPM holder assembly	
44	XA1856051	Spring, Extension		88	048030346	Retaining ring E3	



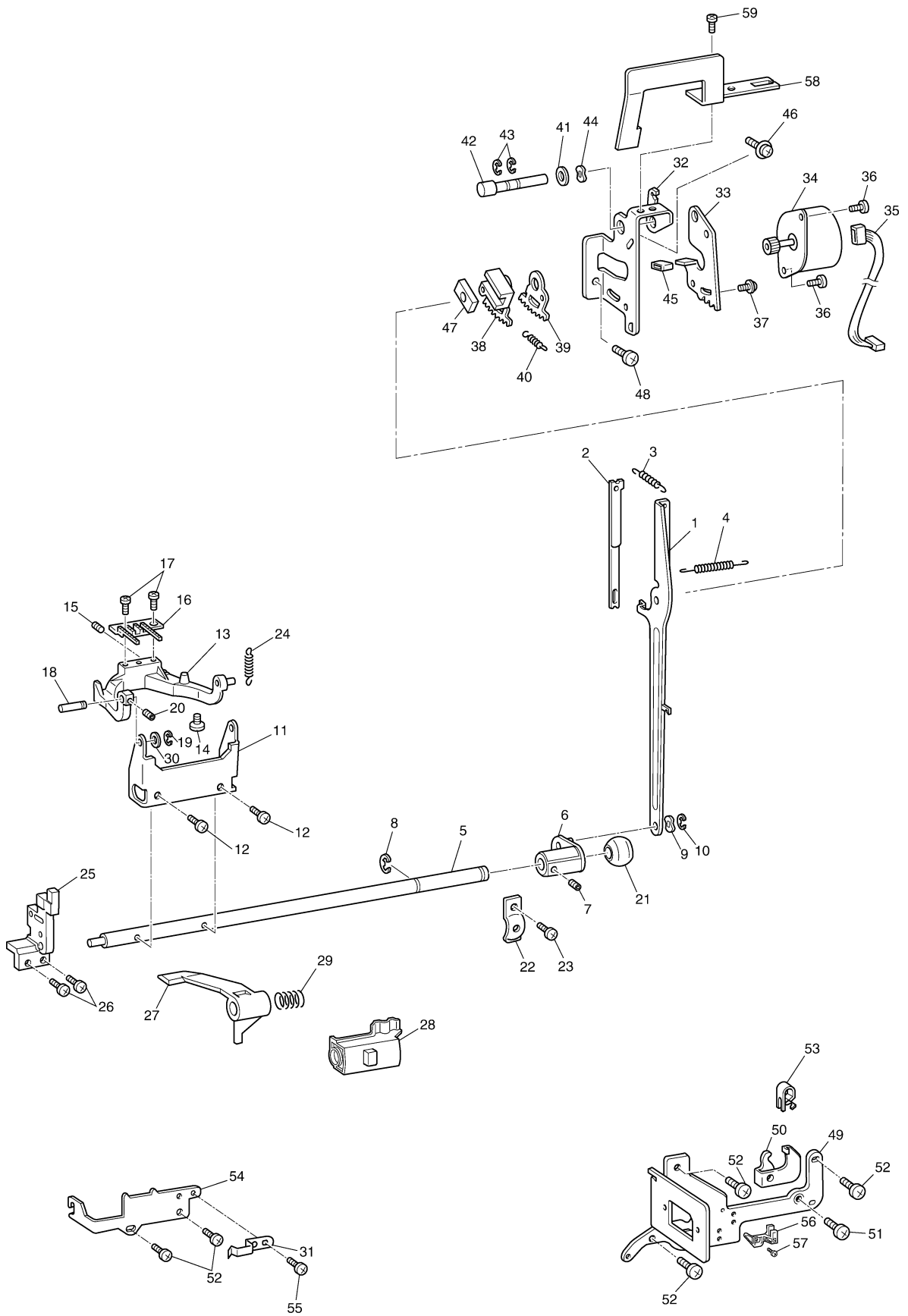






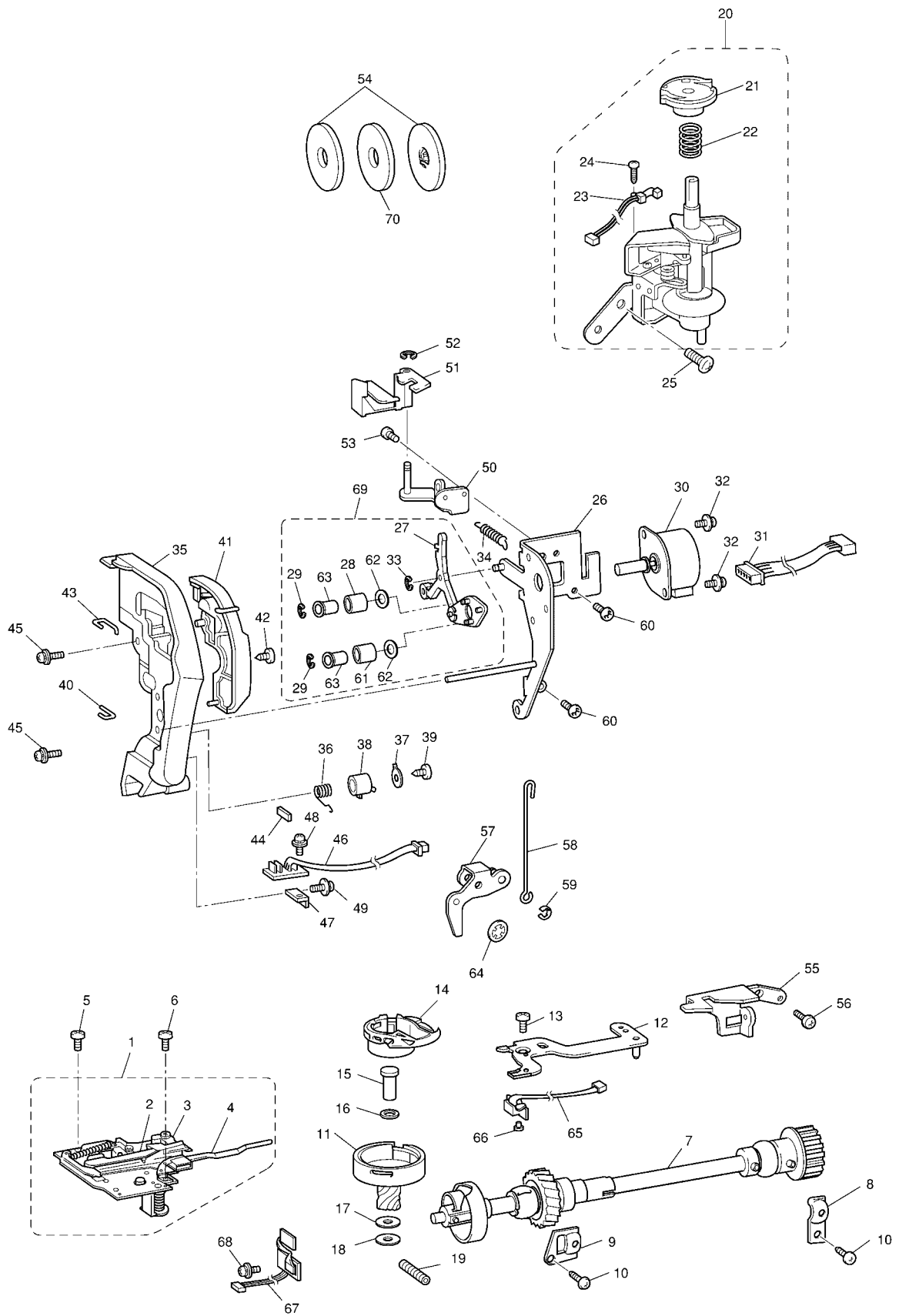
### (3) FEED MECHANISM

No.	CODE	PARTS NAME	REMARKS	No.	CODE.	PARTS NAME	REMARKS
1	XA1895051	Feed rod assembly		45	XA2189050	Rubber	
2	XA2185050	Feed rod supporting plate		46	XA0649051	Taptite, Cup S M4 × 14	
3	XA1898001	Spring, Extension F		47	XA1927051	Feed regulator slide block	
4	XA1899001	Spring, Extension S		48	X57908051	Taptite, Bind S M4 × 10	
5	XA1901250	Horizontal feed shaft		49	XA8244051	SPM holder assembly	
6	XA1902051	Horizontal feed arm assembly		50	XA4376051	Horizontal feed shaft fixed plate	
7	014500532	Set screw, Socket (CP) M5 × 5		51	060300416	Screw, Bind M3 × 4	
8	048060346	Retaining ring E6		52	X57908051	Taptite, Bind S M4 × 10	
9	X59915051	Washer, Wave spring		53	XA1935051	Spring, Plate	
10	048050346	Retaining ring E5		54	XA5860051	Drop guide plate	
11	XA1905051	Horizontal feed plate		55	060300516	Screw, Bind M3 × 5	
12	060400816	Screw, Bind M4 × 8		56	XA5897050	Set plate	
13	XA1907051	Feed bar		57	060300616	Screw, Bind M3 × 6	
14	X59916051	Screw		58	XA8445051	Feed rod guide plate	
15	012400432	Set screw, Socket (FT) M4 × 4		59	060300616	Screw, Bind M3 × 6	
16	XA1909001	Feed dog					
17	060300616	Screw, Bind M3 × 6					
18	XA1910051	Feed bar shaft					
19	048025346	Retaining ring E2.5					
20	014400432	Set screw, Socket (CP) M4 × 4					
21	132420000	Horizontal feed shaft bushing					
22	132421001	Bushing presser					
23	X57908051	Taptite, Bind S M4 × 10					
24	XA1911051	Spring, Extension					
25	XA5857050	Horizontal-feed shaft supporter					
26	052401406	Screw, Pan (S/P Washer) M4 × 14					
27	XA1913051	Drop plate					
28	XA5858051	Drop knob					
29	XA2199051	Spring, Compression					
30	137977000	Washer					
31	XA5859050	Spring plate					
32	XA1916150	FPM holder A					
33	XA1917050	FPM holder B					
34	Z26303001	BP483523LM28FPM					
35	XA8488051	FPM lead wire assembly					
36	XA2022001	Spring					
37	0A5400805	Screw, Pan (S/P Washer) M4 × 8					
38	XA1920151	Feed adjusting assembly					
39	XA1922151	F gear					
40	XA2972001	Spring, Extension					
41	X53330000	Washer					
42	XA1924050	Feed adjusting shaft					
43	048050346	Retaining ring E5					
44	X59915051	Washer, Wave spring					



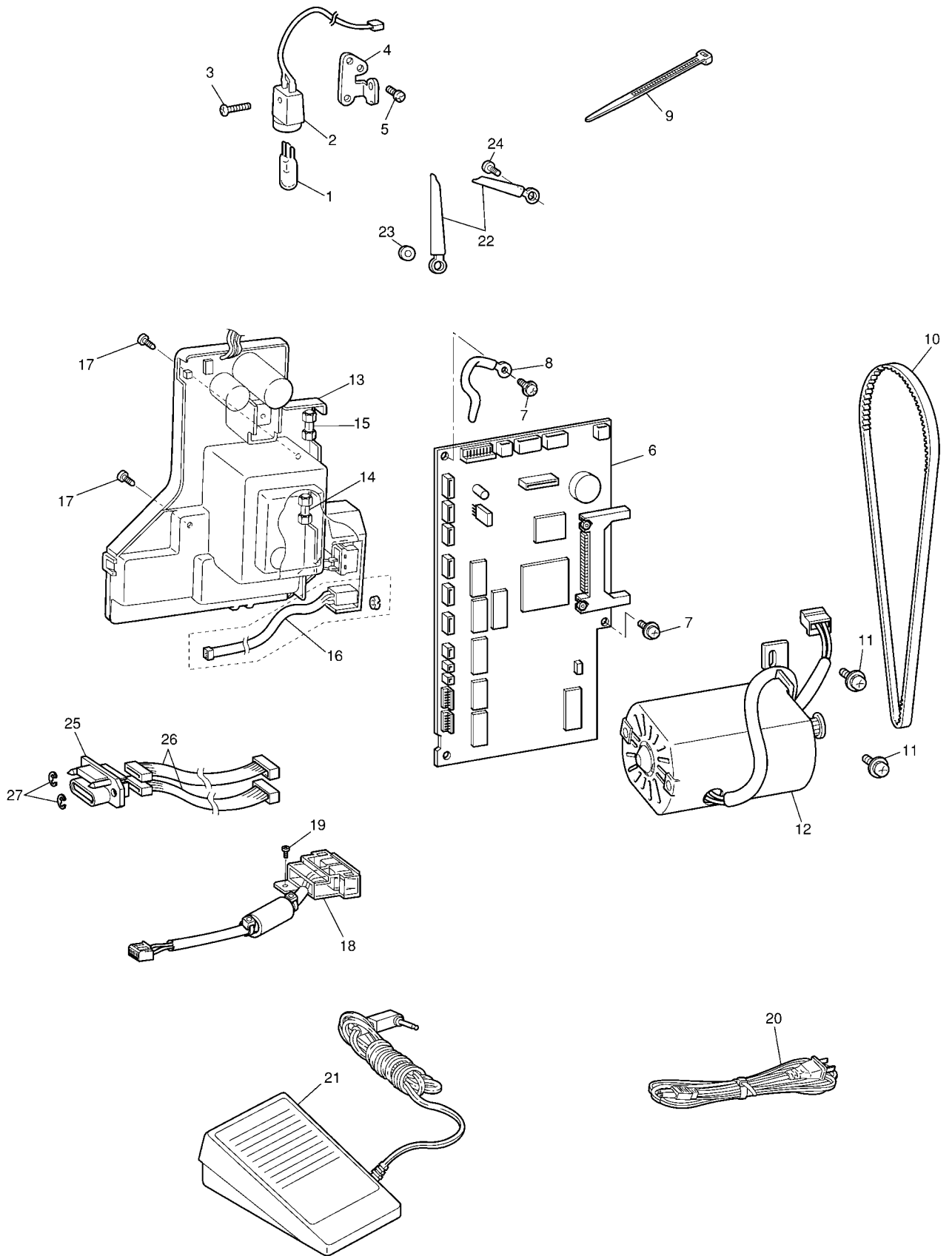
## (4) ROTARY HOOK, THREAD GUIDE AND THREAD CUTTING

No.	CODE	PARTS NAME	REMARKS	No.	CODE	PARTS NAME	REMARKS
1	XA5861151	Thread cutting assembly		44	XA2867000	Rubber	
2	XA2848151	Movable blade assembly		45	052300606	Screw, Pan (S/P Washer) M3 × 6	
3	X56133001	Fixed blade		46	XA2027001	Sensor board assembly	
4	XA5865051	Lower-thread guide arm assembly		47	XA2031051	Sensor board holder	
5	060400816	Screw, Bind M4 × 8		48	052300606	Screw, Pan (S/P Washer) M3 × 6	
6	060300516	Screw, Bind M3 × 5		49	136681001	Taptite, Screw B M3 × 8	
7	XA1968101	Lower shaft assembly		50	XA2933051	Thread guard holder	
8	132421001	Bushing presser R		51	XA2035050	Thread guard	
9	XA1975051	Bushing presser L		52	048030346	Retaining ring E3	
10	X57908051	Taptite, Bind S M4 × 10		53	060300616	Screw, Bind M3 × 6	
11	XA2855101	Outer rotary hook assembly		54	X55260002	Spool cap (Medium)	
12	XA5869001	Inner rotary hook bracket assembly		55	XA2935051	Thread guide plate	
13	060400816	Screw, Bind M4 × 8		56	060300616	Screw, Bind M3 × 6	
14	X57177301	Inner rotary hook assembly		57	XA6341001	Tension releaser assembly	
15	XA0360001	Outer rotary hook shaft		58	XA2197051	Tension release wire	
16	XA2190000	Washer U		59	048030346	Retaining ring E3	
17	XA0361000	Washer		60	X57908051	Taptite, Bind S M4 × 10	
18	XA0362001	Washer		61	XA5533000	AT roller	
19	014401632	Set screw, Socket (CP) M4 × 16		62	137999000	Washer	
20	XA4311001	Bobbin winder assembly		63	XA5534000	AT roller wheel	
21	XA2951001	Bobbin base assembly		64	120454001	Retaining ring, CS4	
22	XA2696051	Spring, Compression		65	XA1980001	Photo diode assembly	
23	XA2003001	Bobbin winder switch assembly		66	060020416	Screw, Bind M2 × 4	
24	062260516	Screw, Pan M2.6 × 5		67	XA1984101	Photo transistor assembly	
25	X57908051	Taptite, Bind S M4 × 10		68	052300606	Screw, Pan (S/P Washer) M3 × 6	
26	XA2006151	Thread guard plate assembly		69	X81101001	Roller supporting arm supply assembly	
27	XA3066051	Roller supporting arm assembly		70	XA6029001	Spool cap pad	
28	XA5532000	Metallic AT roller					
29	048025346	Retaining ring E2.5					
30	Z26300001	BP483523LM27ATP					
31	XA2929151	ATPM lead wire assembly					
32	060300816	Screw, Bind M3 × 8					
33	048030346	Retaining ring E3					
34	XA2019051	Spring, Extension					
35	XA2931002	Thread guard cover					
36	XA2022001	Spring					
37	XA2023051	Washer					
38	XA2024050	Thread cutting shutter					
39	136681001	Taptite, Bind B M3 × 8					
40	XA2025050	Thread guide wire					
41	XA2953051	Thread guard					
42	085311415	Taptite, Bind B M3 × 14					
43	XA2223050	Thread guard wire					



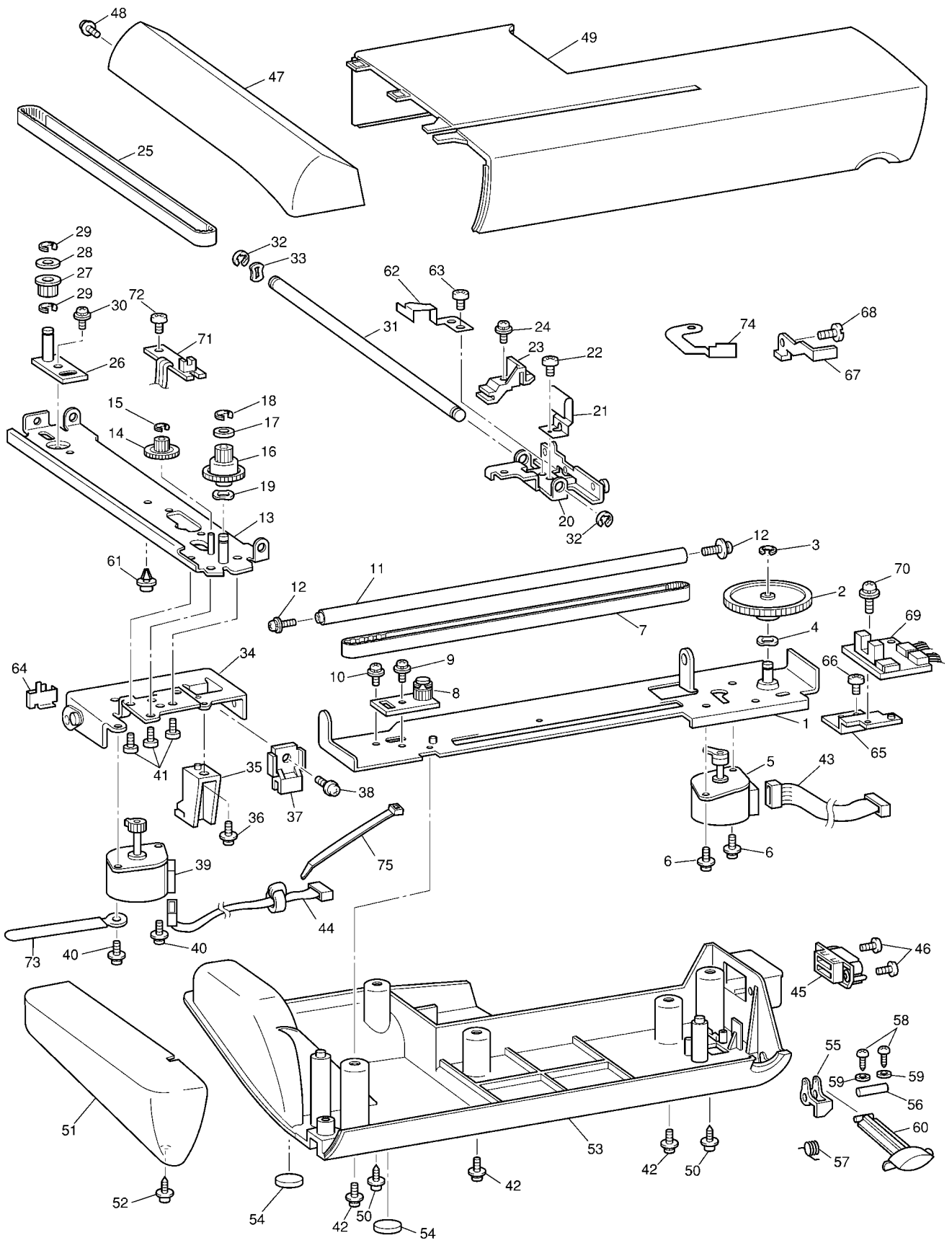
## (5) LAMP, MAIN PC BOARD ASSEMBLY AND MOTOR UNIT

No.	CODE	PARTS NAME	REMARKS	No.	CODE	PARTS NAME	REMARKS
1	XA2037001	WB sew-light bulb		23	026040236	Washer 4	
2	XA6905001	WBL socket assembly		24	060400616	Screw, Bind M4 × 6	
3	002261205	Screw, Pan M2.6 × 12		25	X56302001	Connector 176496	
4	XA2040051	Lamp holder		26	XA2096001	Lead wire assembly for 120V	
5	060300416	Screw, Bind M3 × 4			XA3244001	Lead wire assembly for 230V	
6	X81203001	Main PC board assembly for U.S.A. and CANADA		27	048025346	Stop ring E2.5	
	X81227001	Main PC board assembly for IRELAND, GERMANY, BELGIUM, U.K., FRANCE, NORWAY, NETHERLANDS, AUSTRIA, GREECE, SWEDEN, SPAIN, PORTUGAL, ITALY, FINLAND, SWITZERLAND, DENMARK, GIBRALTAR, ICELAND, MALTA, MONACO, AUSTRALIA, NEW ZEALAND and SOUTH AFRICA					
	X81204001	Main PC board assembly for other countries					
7	052300606	Screw, Pan (S/P Washer) M3 × 6					
8	137947001	Coating clip CS-1					
9	124240001	Band					
10	XA1826001	Timing belt B173 XXL6.4					
11	537235001	Screw, Pan (S/P Washer) M5 × 12					
12	XA3332251	MM-512-21 motor unit for 120V					
	XA3356251	MM-512-51 motor unit for 230V					
13	X81202001	Power supply unit assembly for 120V					
	X80939101	Power supply unit assembly for 230V					
14	X55397001	G fuse 3.15AA for 120V					
	XA0069001	G fuse 2AT-S for 230V					
15	U32809001	Fuse ULTSC 3.15A for 120V					
	X56549001	G fuse 5AB for 230V					
16	X81043001	Pin jack assembly for 120V					
	X81046001	Pin jack assembly for 230V					
17	0A5402505	Screw, Pan (S/P Washer) M4 × 25					
18	XA4326101	Inlet assembly for 120V					
	XA3229101	Inlet assembly for 230V					
19	060400616	Screw, Bind M4 × 6					
20	XA2815051	Power supply cord for UL, CSA					
	XA0070051	Power supply cord for Europe					
21	XA3931051	Foot controller					
22	T31049001	Coating clip CS-6					



## (6) EMBROIDERY UNIT

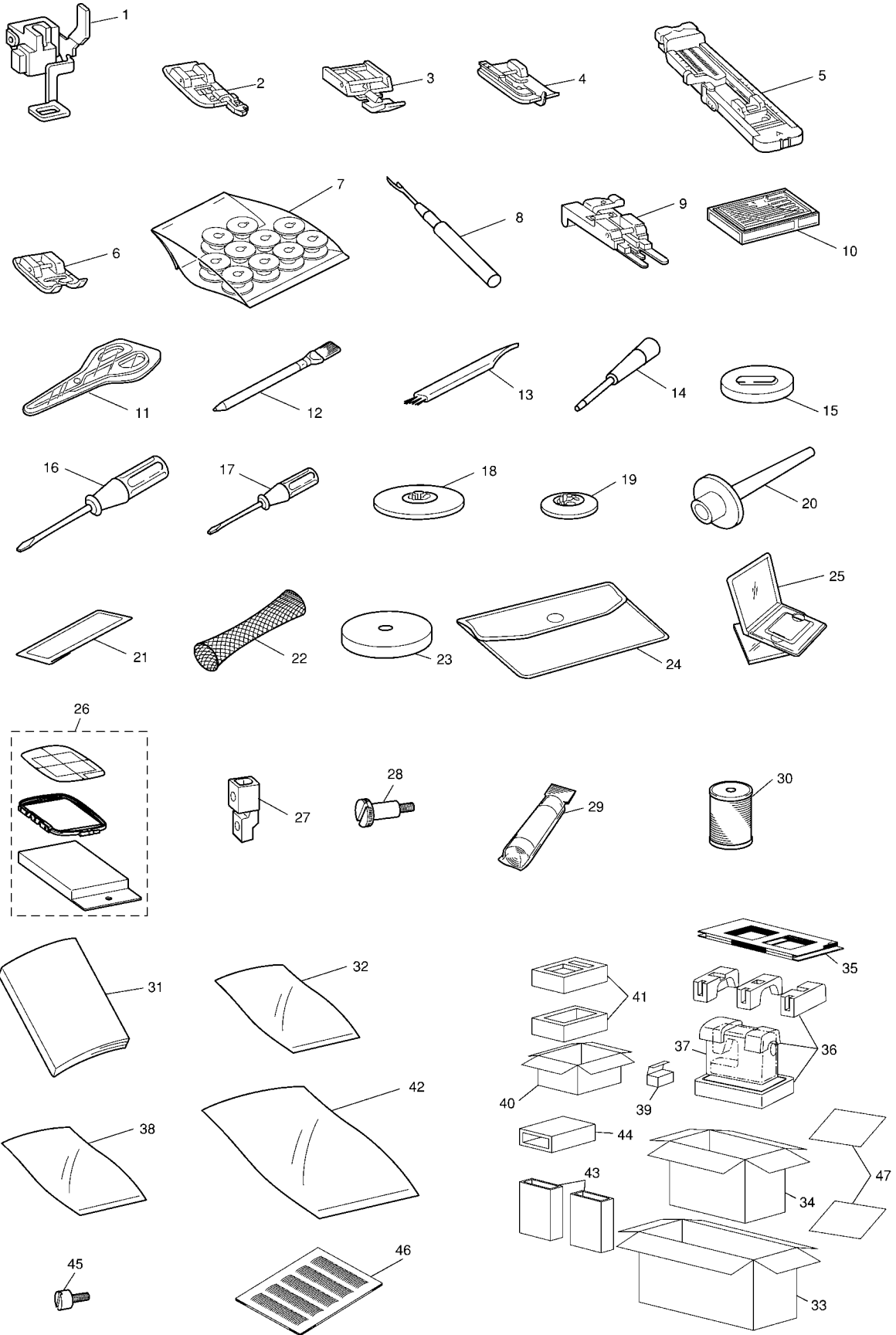
No.	CODE	NAME	REMARKS	No.	CODE	NAME	REMARKS
1	XA2119101	Main frame assembly		45	X56302001	Connector 176496	
2	XA2122050	X driving gear pulley		46	037421616	Screw 4 × 16	
3	048040346	Stop ring E4		47	XA2150003	X carriage cover	
4	X53838001	Washer		48	052400806	Screw 4 × 8	
5	Z26309001	BP483523LM30XPM		49	XA2151001	ES main cover	
6	052300606	Screw 3 × 6		50	087411415	Screw B4 × 14	
7	XA2123001	Timing belt 60S2M494		51	XA2153101	ES side cover	
8	XA2124051	X tension pulley assembly		52	087411415	Screw B4 × 14	
9	052300606	Screw 3 × 6		53	XA2154101	ES base cover	
10	052400806	Screw 4 × 8		54	130157001	Rubber cushion	
11	XA2128001	X guide shaft		55	XA2155050	Lock lever	
12	052400806	Screw 4 × 8		56	XA0814001	Shaft	
13	XA2129101	X carriage assembly		57	XA2157051	Spring	
14	XA2133050	Gear		58	U06923002	Screw B3 × 10	
15	048020346	Stop ring E2		59	025030336	Washer L3	
16	XA2134050	Y driving gear pulley		60	XA2158051	Lock release button	
17	025060235	Washer M6		61	XA2863001	ES spacer	
18	048040346	Stop ring E4		62	XA4456001	Y shutter	
19	X53838001	Washer		63	060300416	Screw 3 × 4	
20	XA4454001	Y carriage assembly		64	XA4457000	Cord guide	
21	XA4496100	Notched spring		65	XA4458001	X sensor PC board holder	
22	060300416	Screw 3 × 4		66	060300416	Screw 3 × 4	
23	XA4710100	Y slider		67	XA4459001	X shutter	
24	XA8390001	Screw 3 × 7		68	060400616	Screw M4 × 6	
25	XA2123001	Timing belt 60S2M494		69	XA4447001	X sensor PC board assembly	
26	XA2137051	Y tension pulley assembly		70	052300606	Screw 3 × 6	
27	XA2127050	Tension pulley		71	XA4451001	Y sensor PC board assembly	
28	025060235	Washer M6		72	060020416	Screw 2 × 4	
29	048040346	Stop ring E4		73	137947001	Clip	
30	052300606	Screw 3 × 6		74	XA4596001	Oil guard plate	
31	XA2139051	Y guide shaft		75	124240001	Band #2	
32	048040346	Stop ring E4					
33	103810002	Washer					
34	XA2140101	X carriage supporter assembly					
35	XA2143150	X slider					
36	052400806	Screw 4 × 8					
37	XA2144250	X belt presser					
38	052400806	Screw 4 × 8					
39	Z26312001	BP4853523LM31YPM					
40	575039003	Screw 3 × 5DA					
41	060400616	Screw M4 × 6					
42	052300606	Screw 3 × 6					
43	XA4449001	XPM lead wire assembly					
44	XA4460001	YPM lead wire assembly					





## (7) ACCESSORY

No.	CODE	PARTS NAME	REMARKS	No.	CODE	PARTS NAME	REMARKS
1	XA5891001	Embroidery foot assembly		43	X61348000	Pad 945	
2	X51162001	Overcasting foot "G"		44	X61408000	Pad ES	
3	X59370051	Zipper foot "I"		45	XA4813051	Screw 3.57	
4	X56409001	Blind stitch foot "R"		46	X80948002	Grid sheet	
5	X57789101	Buttonhole foot "A"		47	X61401000	Space pad	
6	X53840301	Monogramming foot "N"					
7	XA3811051	Bobbin (10 set), VPC					
8	X54243001	Seam ripper					
9	130489001	Button fitting foot "M"					
10	X58358001	Needle set					
11	184783001	Scissors					
12	184944001	Chalk pen					
13	XA4527001	Cleaning brush					
14	135793001	Eyelet punch					
15	XA2005051	Disc-shaped screwdriver					
16	X55467051	Screwdriver (Large)					
17	X55468051	Screwdriver (Small)					
18	130012003	Spool cap (Large)					
19	130013003	Spool cap (Small)					
20	XA3336051	Extra spool pin					
21	X59296001	Twin needle set					
22	127610000	Net					
23	X57045001	Spool felt					
24	128369003	Accessory bag					
25	X58317002	Embroidery card No.1					
	X58321002	Embroidery card No.2					
26	X80902003	Embroidery frame L					
27	XA6027001	Presser adaptor S					
28	XA5904051	Screw 3.57					
29	X81175002	Backing material					
30	X81167001	Embroidery bobbin thread					
31	191945011	Instruction manual (English)					
	191945012	Instruction manual (Spanish)					
32	XA0188000	Bag, 240 × 355 H					
33	X61342001	Master carton					
34	X61087000	Carton					
35	X61090000	Pad					
36	X61159100	962 SF assembly					
37	X60439100	Bag, 630 × 630					
38	160670000	Bag, 150 × 350					
39	X61014000	Carton, Accessory					
40	X61344000	Carton, Embroidery					
41	X61345000	ES-SF assembly					
42	X60679000	Bag, 450 × 400					



PC6500  
H9100164