

**PARTS CATALOGUE FOR**  
**COMPUTERIZED SEWING MACHINE**

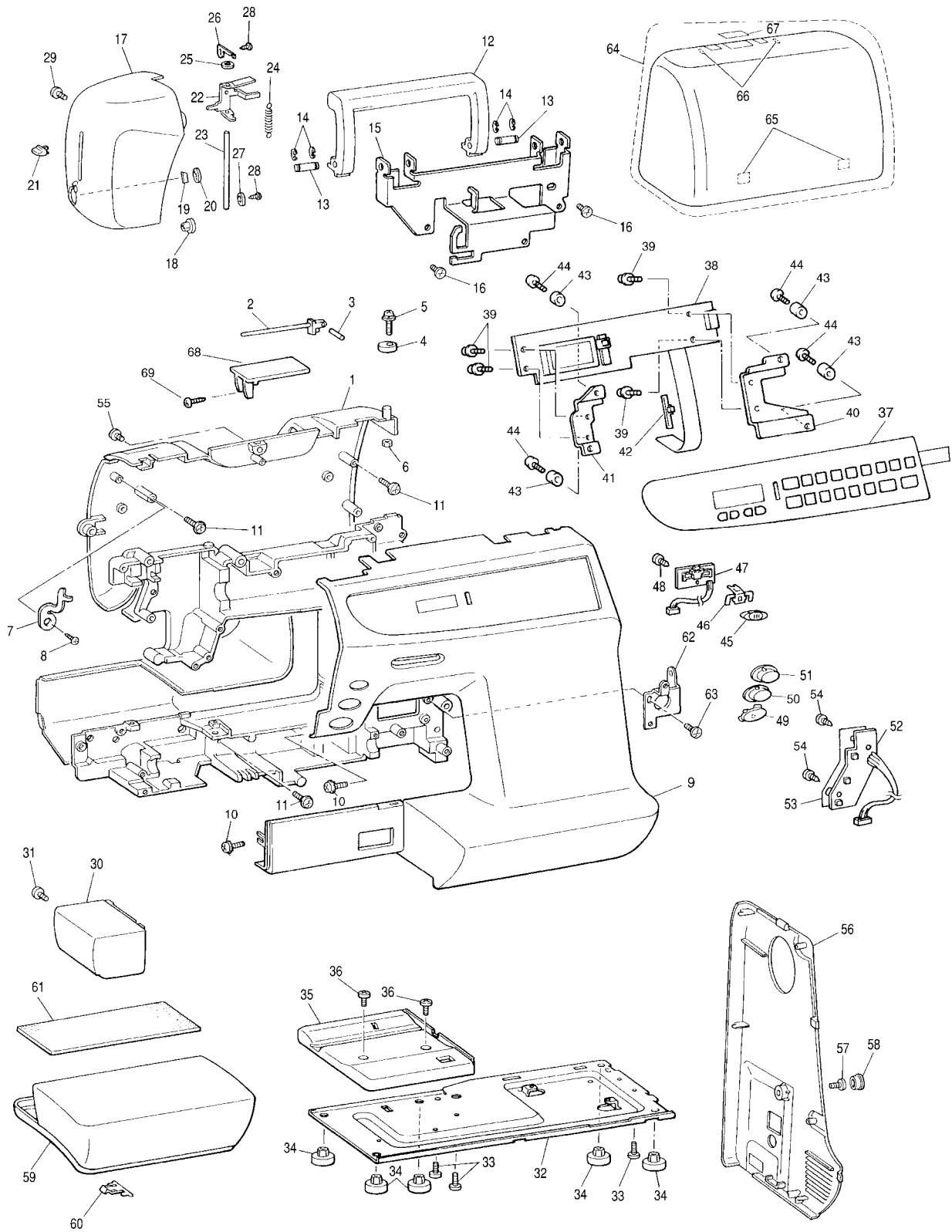
**PC-3000**  
**SUPER ACE II**

# CONTENTS

|  |    |
|--|----|
| (1) PRINCIPAL PARTS.....                                 | 2  |
| (2) UPPER SHAFT AND NEEDLE BAR .....                     | 4  |
| (3) FEED MECHANISM .....                                 | 6  |
| (4) ROTARY HOOK AND THREAD GUIDE .....                   | 8  |
| (5) LAMP, MAIN PC BOARD ASSEMBLY<br>AND MOTOR UNIT ..... | 10 |
| (6) ACCESSORY .....                                      | 12 |

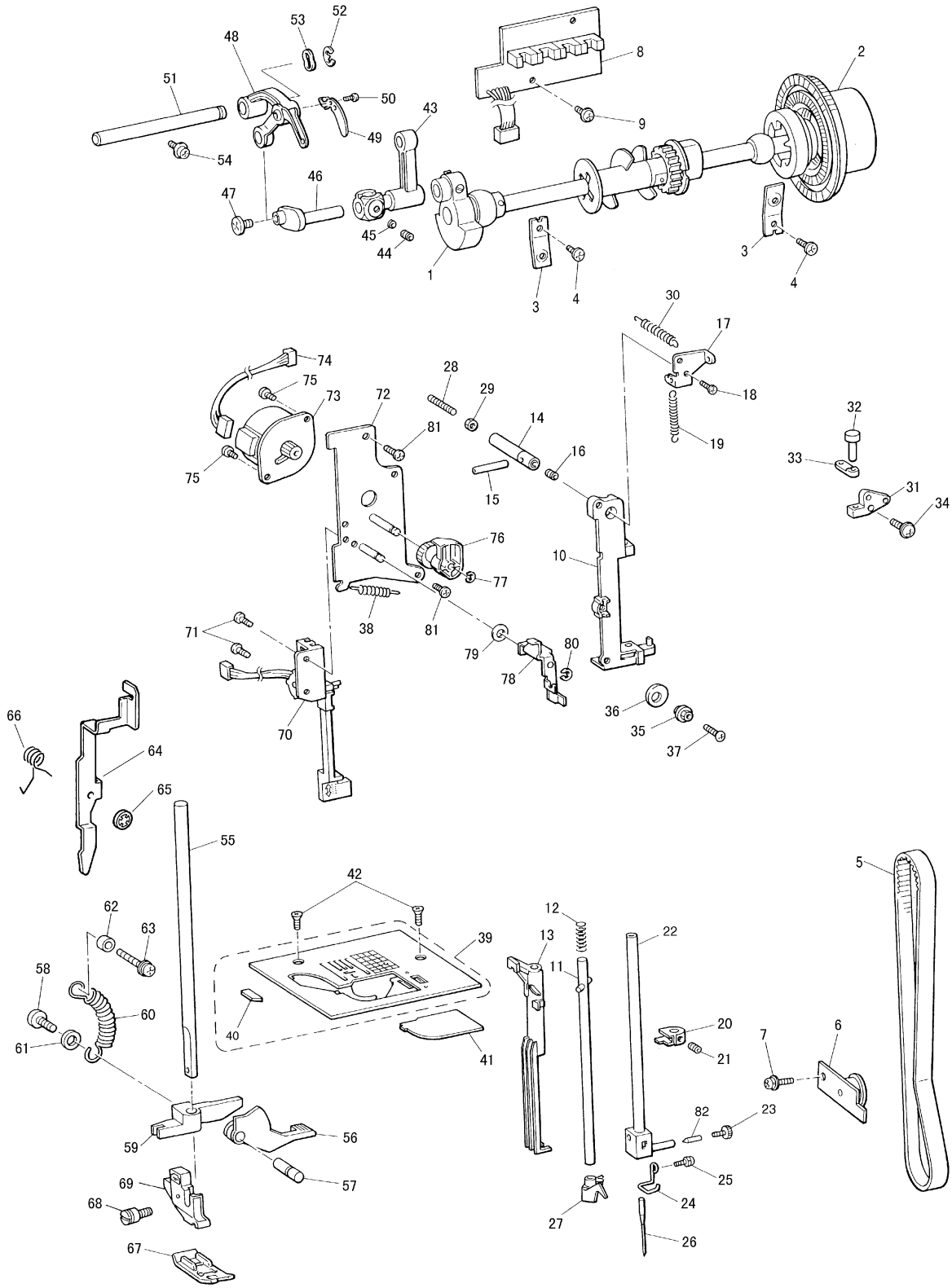
## (1) PRINCIPAL PARTS

| No. | CODE      | NAME                             | REMARKS | No. | CODE      | NAME                           | REMARKS |
|-----|-----------|----------------------------------|---------|-----|-----------|--------------------------------|---------|
| 1   | XA2880257 | Rear cover for PC-3000           |         | 42  | XA4338051 | Contrast key                   |         |
|     | XA2880258 | Rear cover for Super ACE II      |         | 43  | XA2220050 | Circuit board presser          |         |
| 2   | X59053051 | Spool pin                        |         | 44  | X59629051 | Taptite, Bind B M3 × 10        |         |
| 3   | XA4471051 | Spool pin shaft 3 × 16           |         | 45  | XA2903051 | S key top                      |         |
| 4   | XA4324051 | Bobbin presser                   |         | 46  | XA2904050 | SV connecting block            |         |
| 5   | 052301606 | Screw, Pan M3 × 16               |         | 47  | XA4339051 | VR PC board ASSY               |         |
| 6   | 021300106 | Nut, 1 M3                        |         | 48  | 136681051 | Taptite, Bind B M3 × 8         |         |
| 7   | XA5508051 | Thread guide assist plate        |         | 49  | XA4300051 | SS button for PC-3000          |         |
| 8   | 138433051 | Taptite, Pan B M3 × 6            |         |     | XA4321051 | SS button for Super ACE II     |         |
| 9   | XA4330052 | Front cover for PC-3000          |         | 50  | XA2908051 | Reverse sewing button          |         |
|     | XA4330053 | Front cover for Super ACE II     |         | 51  | XA2909051 | NP button                      |         |
| 10  | U12017051 | Screw, Pan (T washer) M3 × 6     |         | 52  | XA4829051 | SS PC board ASSY               |         |
| 11  | 087411415 | Taptite, Cup B M4 × 14           |         | 53  | XA2901150 | Insulation sheet               |         |
| 12  | XA2476051 | Carrying handle                  |         | 54  | 136681051 | Taptite, Bind B M3 × 8         |         |
| 13  | XA2886051 | Carrying handle shaft            |         | 55  | 087411415 | Taptite, Cup B M4 × 14         |         |
| 14  | 048040346 | Retaining ring, E4               |         | 56  | XA4302152 | Belt cover                     |         |
| 15  | XA2887251 | Handle holder                    |         | 57  | 060400616 | Screw, Bind M4 × 6             |         |
| 16  | X57908051 | Taptite, Bind S M4 × 10          |         | 58  | X50442051 | Screw cover                    |         |
| 17  | XA2889052 | Face plate                       |         | 59  | XA1816001 | Accessory table ASSY           |         |
| 18  | X51895051 | Face plate bush                  |         | 60  | 138644051 | Accessory table notched spring |         |
| 19  | X80321051 | NT thread cutter ASSY            |         | 61  | X51434050 | Sponge                         |         |
| 20  | XA0199051 | Retaining ring, CSTW-8           |         | 62  | XA1820050 | Set plate D                    |         |
| 21  | XA2943051 | Needle thread lever knob         |         | 63  | X57908051 | Taptite, Bind S M4 × 10        |         |
| 22  | XA1801051 | Needle thread lever              |         | 64  | XA2482051 | Case ASSY                      |         |
| 23  | X51469051 | Needle thread lever shaft        |         | 65  | 125440050 | Case felt                      |         |
| 24  | 138260051 | Spring, Extension                |         | 66  | XZ0016050 | Case felt                      |         |
| 25  | 129935050 | Washer                           |         | 67  | XA3028051 | Decoration plate               |         |
| 26  | XA6320050 | Shaft presser plate              |         | 68  | XA4831051 | Dial cover                     |         |
| 27  | XA5525051 | Washer                           |         | 69  | U12017051 | Screw, Pan (T washer) M3 × 6   |         |
| 28  | 138433051 | Taptite, Pan B M3 × 6            |         |     |           |                                |         |
| 29  | 060401616 | Screw, Bind M4 × 16              |         |     |           |                                |         |
| 30  | XA1803151 | Free arm cover                   |         |     |           |                                |         |
| 31  | 053400806 | Screw, Pan (S/P Washer) M4 × 8   |         |     |           |                                |         |
| 32  | XA1804150 | Base plate                       |         |     |           |                                |         |
| 33  | X57908051 | Taptite, Bind S M4 × 10          |         |     |           |                                |         |
| 34  | XA1805050 | Rubber cushion A                 |         |     |           |                                |         |
| 35  | XA1806051 | Base cover                       |         |     |           |                                |         |
| 36  | 060400616 | Screw, Bind M4 × 6               |         |     |           |                                |         |
| 37  | XA4331001 | Panel key board for PC-3000      |         |     |           |                                |         |
|     | XA4331002 | Panel key board for Super ACE II |         |     |           |                                |         |
| 38  | XA4332001 | LCD PC board ASSY                |         |     |           |                                |         |
| 39  | 052300606 | Screw, Pan (S/P washer) M3 × 6   |         |     |           |                                |         |
| 40  | XA4336050 | LCD plate holder R               |         |     |           |                                |         |
| 41  | XA4337050 | LCD plate holder L               |         |     |           |                                |         |



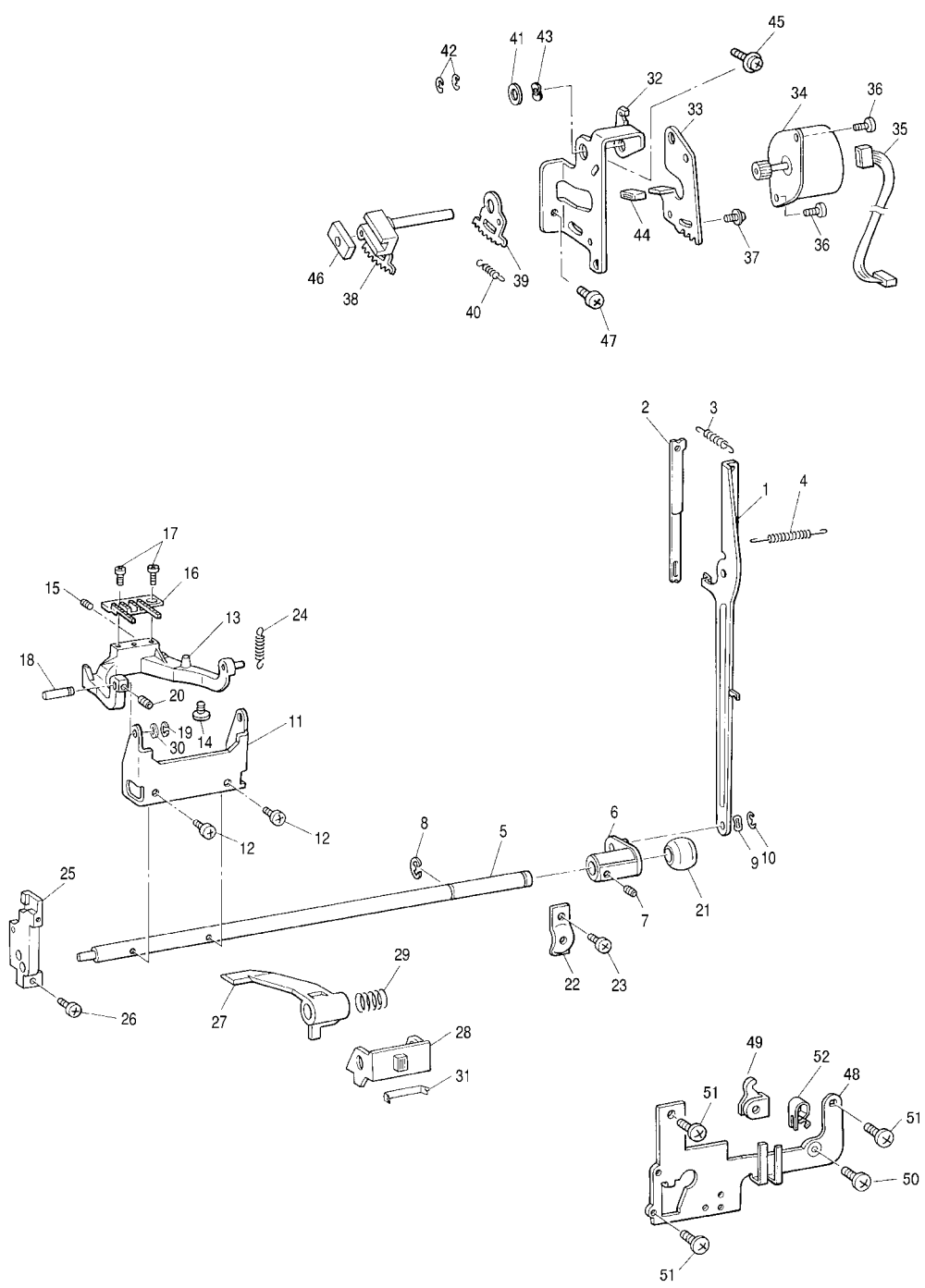
## (2) UPPER SHAFT AND NEEDLE BAR

| No. | CODE      | NAME                             | REMARKS | No. | CODE      | NAME                         | REMARKS |
|-----|-----------|----------------------------------|---------|-----|-----------|------------------------------|---------|
| 1   | XA4385051 | Upper shaft ASSY                 |         | 45  | 100507050 | Metal plate                  |         |
| 2   | X57370051 | Pulley                           |         | 46  | XA2389051 | Needle bar crank             |         |
| 3   | X52478051 | Presser plate A                  |         | 47  | 132051052 | Screw, Flat SM3.57L          |         |
| 4   | X57908051 | Taptite, Bind S M4 × 10          |         | 48  | XA1862051 | Thread take-up lever ASSY    |         |
| 5   | X53125051 | Timing belt 176 × L031           |         | 49  | XA1864050 | Thread take-up lever plate   |         |
| 6   | XA1830051 | Tension pulley ASSY              |         | 50  | XA1387051 | Screw, Truss M2 × 3          |         |
| 7   | 0A5401005 | Screw, Pan (S/P Washer) M4 × 10  |         | 51  | XA1865051 | Thread take-up lever stud    |         |
| 8   | XA4922051 | NP PC board ASSY                 |         | 52  | 048050346 | Retaining ring E5            |         |
| 9   | 0A5400805 | Screw, Pan (S/P Washer) M4 × 8   |         | 53  | XA1866051 | Washer, Wave spring          |         |
| 10  | XA2198051 | Needle bar supporter ASSY        |         | 54  | XA0649051 | Taptite, Cup S M4 × 14       |         |
| 11  | XA1839051 | Needle threader shaft ASSY       |         | 55  | XA2509051 | Presser bar                  |         |
| 12  | 129839051 | Spring, Compression              |         | 56  | XA5511051 | Presser foot lifter          |         |
| 13  | XA1841001 | Needle threader slider           |         | 57  | XA1869050 | Stud for presser foot lifter |         |
| 14  | XA1842051 | Needle bar supporter stud A      |         | 58  | X52760051 | Set screw, Pan M6 × 12       |         |
| 15  | X56551050 | Needle bar supporter stud C      |         | 59  | XA1871151 | Presser bar clamp            | CHG     |
| 16  | 014400432 | Set screw, Socket (CP) M4 × 4    |         | 60  | 137736051 | Spring                       |         |
| 17  | XA1843150 | Set plate                        |         | 61  | XA5524051 | Washer, plain                |         |
| 18  | 060300616 | Screw, Bind M3 × 6               |         | 62  | XA1875051 | Spacer                       |         |
| 19  | X57758051 | Spring, Extension                |         | 63  | XA0649051 | Taptite, Cup S M4 × 14       |         |
| 20  | X55983150 | Needle threader position setter  |         | 64  | XA4838051 | Tension releaser C           |         |
| 21  | 012400432 | Set screw, Socket (FT) M4 × 4    |         | 65  | 120454051 | Retaining ring CS4           |         |
| 22  | XA1849151 | Needle bar ASSY                  |         | 66  | XA5931051 | Spring                       |         |
| 23  | XZ0002051 | Screw                            |         | 67  | 137748101 | Zigzag presser foot          |         |
| 24  | XA1851000 | Needle bar thread guide          |         | 68  | XA4813051 | Screw                        |         |
| 25  | XA1387051 | Screw, Truss M2 × 3              |         | 69  | 129855001 | Presser holder ASSY          |         |
| 26  | 117914014 | Needle HA × 130                  |         | 70  | XA1882051 | BH switch plate ASSY         |         |
| 27  | XA1854001 | Threader hook ASSY               |         | 71  | 060300816 | Screw, Bind M3 × 8           |         |
| 28  | 014401632 | Set screw, Socket (CP) M4 × 16   |         | 72  | XA1989151 | ZPM holder ASSY              |         |
| 29  | X56851051 | Nut                              |         | 73  | Z26291081 | BP483523LM26ZPM              |         |
| 30  | XA1856051 | Spring, Extension                |         | 74  | XA2921051 | ZPM lead wire ASSY           |         |
| 31  | XA1857051 | Needle bar supporter stud holder |         | 75  | 060300416 | Screw, Bind M3 × 4           |         |
| 32  | X57647051 | Needle bar supporter stud        |         | 76  | XA1995000 | Zigzag cam                   |         |
| 33  | X56464001 | Needle bar supporter arm         |         | 77  | 048030346 | Retaining ring E3            |         |
| 34  | XA0649051 | Taptite, Cup S M4 × 4            |         | 78  | XA5515051 | Zigzag lever                 |         |
| 35  | X50559050 | Nut                              |         | 79  | X53027050 | Thrust washer                |         |
| 36  | XA1860150 | Washer                           | CHG     | 80  | 048030346 | Retaining ring E3            |         |
| 37  | 062301006 | Screw, Pan M3 × 10               |         | 81  | X57908051 | Taptite, Bind S M4 × 10      |         |
| 38  | XA1861051 | Spring, Extension                |         | 82  | XA6035001 | Needle clamp pin             |         |
| 39  | XA2916051 | Needle plate ASSY                |         |     |           |                              |         |
| 40  | X80321051 | NT thread cutter ASSY            |         |     |           |                              |         |
| 41  | X56828151 | Needle plate cover               |         |     |           |                              |         |
| 42  | X50487051 | Screw                            |         |     |           |                              |         |
| 43  | X52650151 | Needle bar crank rod ASSY        |         |     |           |                              |         |
| 44  | 014680432 | Set screw, Socket (CP) SM4.37    |         |     |           |                              |         |



### (3) FEED MECHANISM

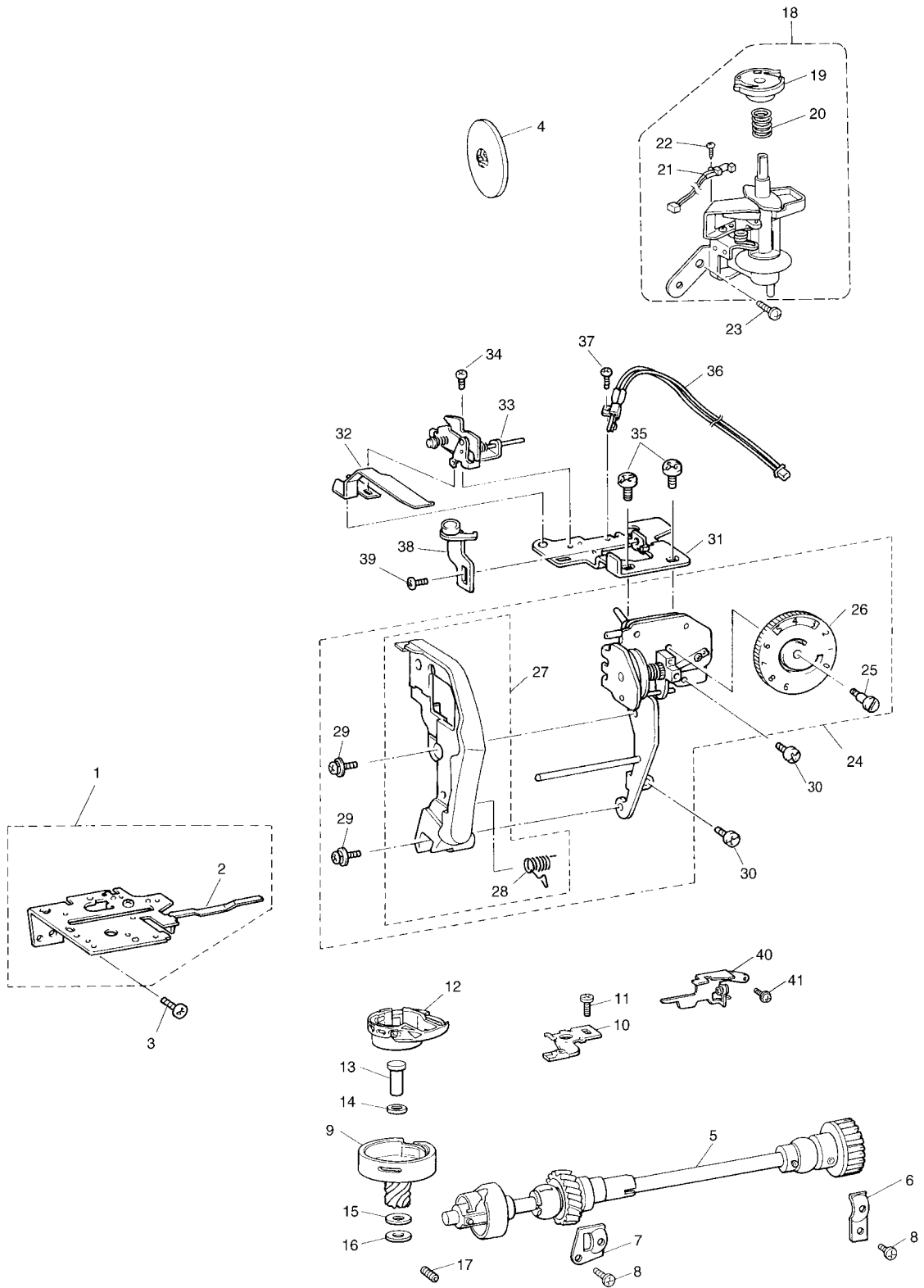
| No. | CODE      | NAME                            | REMARKS | No. | CODE      | NAME                              | REMARKS |
|-----|-----------|---------------------------------|---------|-----|-----------|-----------------------------------|---------|
| 1   | XA1895051 | Feed rod ASSY                   |         | 45  | XA0649051 | Taptite, Cup S M4 × 14            |         |
| 2   | XA2185050 | Feed rod supporting plate       |         | 46  | XA1927051 | Feed regulator slide block        |         |
| 3   | XA1898001 | Spring, Extension F             |         | 47  | X57908051 | Taptite, Bind S M4 × 10           |         |
| 4   | XA1899001 | Spring, Extension S             |         | 48  | XA2942051 | SPM holder                        |         |
| 5   | XA1901150 | Horizontal feed shaft           | CHG     | 49  | XA4376051 | Horizontal feed shaft fixed plate |         |
| 6   | XA1902051 | Horizontal feed arm ASSY        |         | 50  | 060300416 | Screw, Bind M3 × 4                |         |
| 7   | 014500532 | Set screw, Socket (CP) M5 × 5   |         | 51  | X57908051 | Taptite, Bind S M4 × 10           |         |
| 8   | 048060346 | Retaining ring E6               |         | 52  | XA1935051 | Spring, Plate                     |         |
| 9   | X59915051 | Washer, Wave spring             |         |     |           |                                   |         |
| 10  | 048050346 | Retaining ring E5               |         |     |           |                                   |         |
| 11  | XA1905051 | Horizontal feed plate           |         |     |           |                                   |         |
| 12  | 060400816 | Screw, Bind M4 × 8              |         |     |           |                                   |         |
| 13  | XA1907051 | Feed stand                      |         |     |           |                                   |         |
| 14  | X59916050 | Screw                           |         |     |           |                                   |         |
| 15  | 012400432 | Set screw, Socket (FT) M4 × 4   |         |     |           |                                   |         |
| 16  | XA4980051 | Feed dog                        |         |     |           |                                   |         |
| 17  | 060300516 | Screw, Bind M3 × 5              |         |     |           |                                   |         |
| 18  | XA1910051 | Feed bar shaft                  |         |     |           |                                   |         |
| 19  | 048025346 | Retaining ring E2.5             |         |     |           |                                   |         |
| 20  | 014400432 | Set screw, Socket (CT) M4 × 4   |         |     |           |                                   |         |
| 21  | X52664050 | Horizontal feed shaft bushing   |         |     |           |                                   |         |
| 22  | 132421051 | Bushing presser                 |         |     |           |                                   |         |
| 23  | X57908051 | Taptite, Bind S M4 × 10         |         |     |           |                                   |         |
| 24  | XA1911051 | Spring, Extension               |         |     |           |                                   |         |
| 25  | XA1912050 | Horizontal-feed shaft supporter |         |     |           |                                   |         |
| 26  | 052401406 | Screw, Pan (S/P Washer) M4 × 14 |         |     |           |                                   |         |
| 27  | XA2526051 | Drop plate                      |         |     |           |                                   |         |
| 28  | XA1914051 | Drop knob                       |         |     |           |                                   |         |
| 29  | XA2199051 | Spring, Compression             |         |     |           |                                   |         |
| 30  | 137977050 | Washer                          |         |     |           |                                   |         |
| 31  | XA2200050 | Spring, Plate                   |         |     |           |                                   |         |
| 32  | XA1916050 | FPM holder A                    |         |     |           |                                   |         |
| 33  | XA1917050 | FPM holder B                    |         |     |           |                                   |         |
| 34  | Z26303081 | BP483523LM28FPM                 |         |     |           |                                   |         |
| 35  | XA2046051 | FPM lead wire ASSY              |         |     |           |                                   |         |
| 36  | 060300416 | Screw, Bind M3 × 4              |         |     |           |                                   |         |
| 37  | 0A4400806 | Screw, Pan (S/P Washer) M4 × 8  |         |     |           |                                   |         |
| 38  | XZ0017051 | Feed regulator ASSY             |         |     |           |                                   |         |
| 39  | XA1922151 | F gear                          |         |     |           |                                   |         |
| 40  | XA2972051 | Spring, Extension               |         |     |           |                                   |         |
| 41  | X53330050 | Washer                          |         |     |           |                                   |         |
| 42  | 048050346 | Retaining ring E5               |         |     |           |                                   |         |
| 43  | X59915051 | Washer, Wave spring             |         |     |           |                                   |         |
| 44  | XA2189050 | Rubber                          |         |     |           |                                   |         |



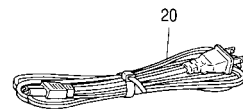
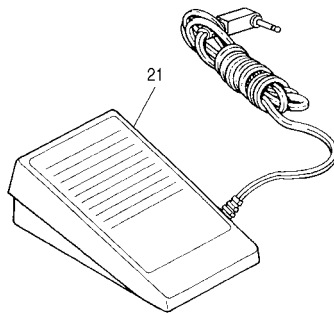
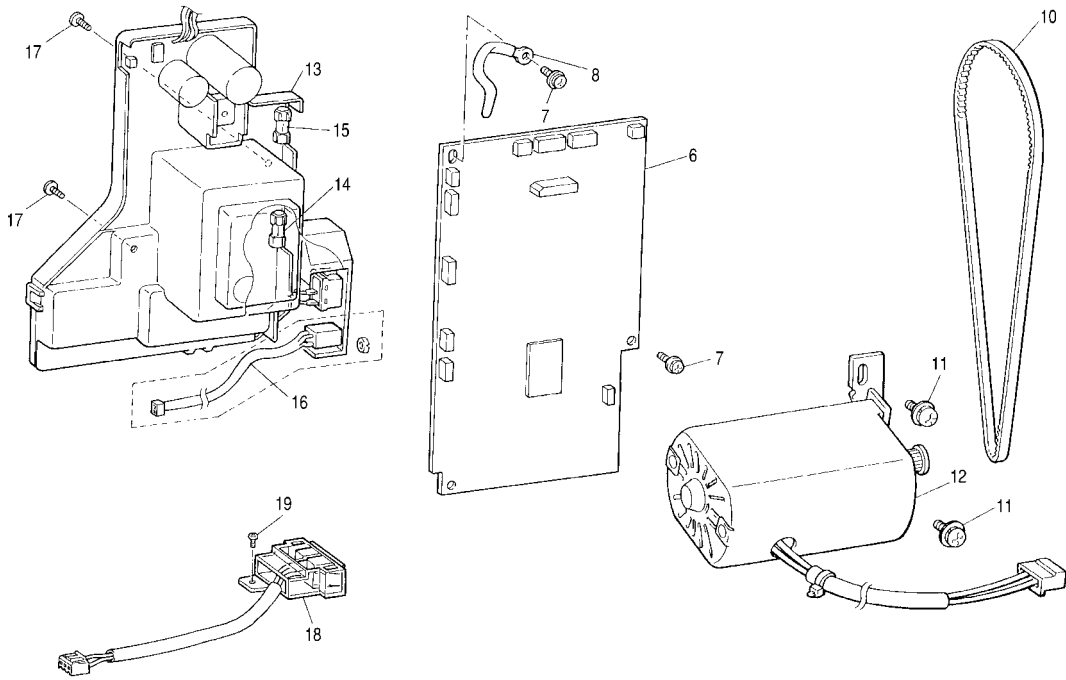
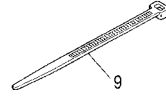
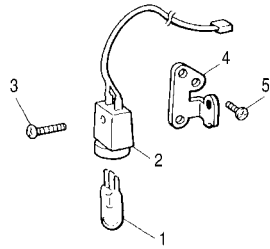


## (4) ROTARY HOOK AND THREAD GUIDE

| No. | CODE      | NAME                            | REMARKS |
|-----|-----------|---------------------------------|---------|
| 1   | XA4828051 | Lower thread guide ASSY         |         |
| 2   | XA5558151 | Lower thread guide arm ASSY     |         |
| 3   | 060400816 | Screw, Bind M4 × 8              |         |
| 4   | X55260052 | Spool cap (Medium)              |         |
| 5   | XA5474051 | Lower shaft ASSY                |         |
| 6   | 132421051 | Bushing presser R               |         |
| 7   | XA1975051 | Bushing presser L               |         |
| 8   | X57908051 | Taptite, Bind S M4 × 10         |         |
| 9   | XA2855151 | Outer rotaty hook ASSY          |         |
| 10  | XA1976001 | Inner rotaty hook bracket ASSY  |         |
| 11  | 060400816 | Screw, Bind M4 × 8              |         |
| 12  | XA3353151 | Inner rotaty hook ASSY          |         |
| 13  | XA0360051 | Outer rotaty hook shaft         |         |
| 14  | XA2190050 | Washer U                        |         |
| 15  | XA0361050 | Washer                          |         |
| 16  | XA0362051 | Washer                          |         |
| 17  | 014400632 | Set screw, Socket (CP) M4 × 6   |         |
| 18  | XA4311051 | Bobbin winder ASSY              |         |
| 19  | XA2951051 | Bobbin base ASSY                |         |
| 20  | XA2696051 | Spring, Compression             |         |
| 21  | XA2003051 | Bobbin winder switch ASSY       |         |
| 22  | 062260516 | Screw, Pan M2.6 × 5             |         |
| 23  | X57908051 | Taptite, Bind SM4 × 10          |         |
| 24  | XA4841051 | Thread guard ASSY               |         |
| 25  | X59984051 | Tension dial shaft              |         |
| 26  | X59985154 | Tension dial                    |         |
| 27  | XA5455051 | Thread guard cover ASSY         |         |
| 28  | XA2022001 | Spring                          |         |
| 29  | 052300606 | Screw, Pan (S/P Washer) M3 × 6  |         |
| 30  | X57908051 | Taptite, Bind S M4 × 10         |         |
| 31  | XA5473051 | Thread guard holder ASSY        |         |
| 32  | XA4850050 | Thread guard plate              |         |
| 33  | XA4851051 | Thread tension ASSY             |         |
| 34  | 060300616 | Screw, Bind M3 × 6              |         |
| 35  | 060400416 | Screw, Bind M4 × 4              |         |
| 36  | X57715051 | PF Switch ASSY                  |         |
| 37  | 062260516 | Screw, Pan M2.6 × 5             |         |
| 38  | XA4839051 | Bobbin winder thread guide ASSY |         |
| 39  | 060300416 | Screw, Bind M3 × 4              |         |
| 40  | XA2935051 | Thread guide plate              |         |
| 41  | 060300616 | Screw, Bind M3 × 6              |         |
|     |           |                                 |         |
|     |           |                                 |         |
|     |           |                                 |         |

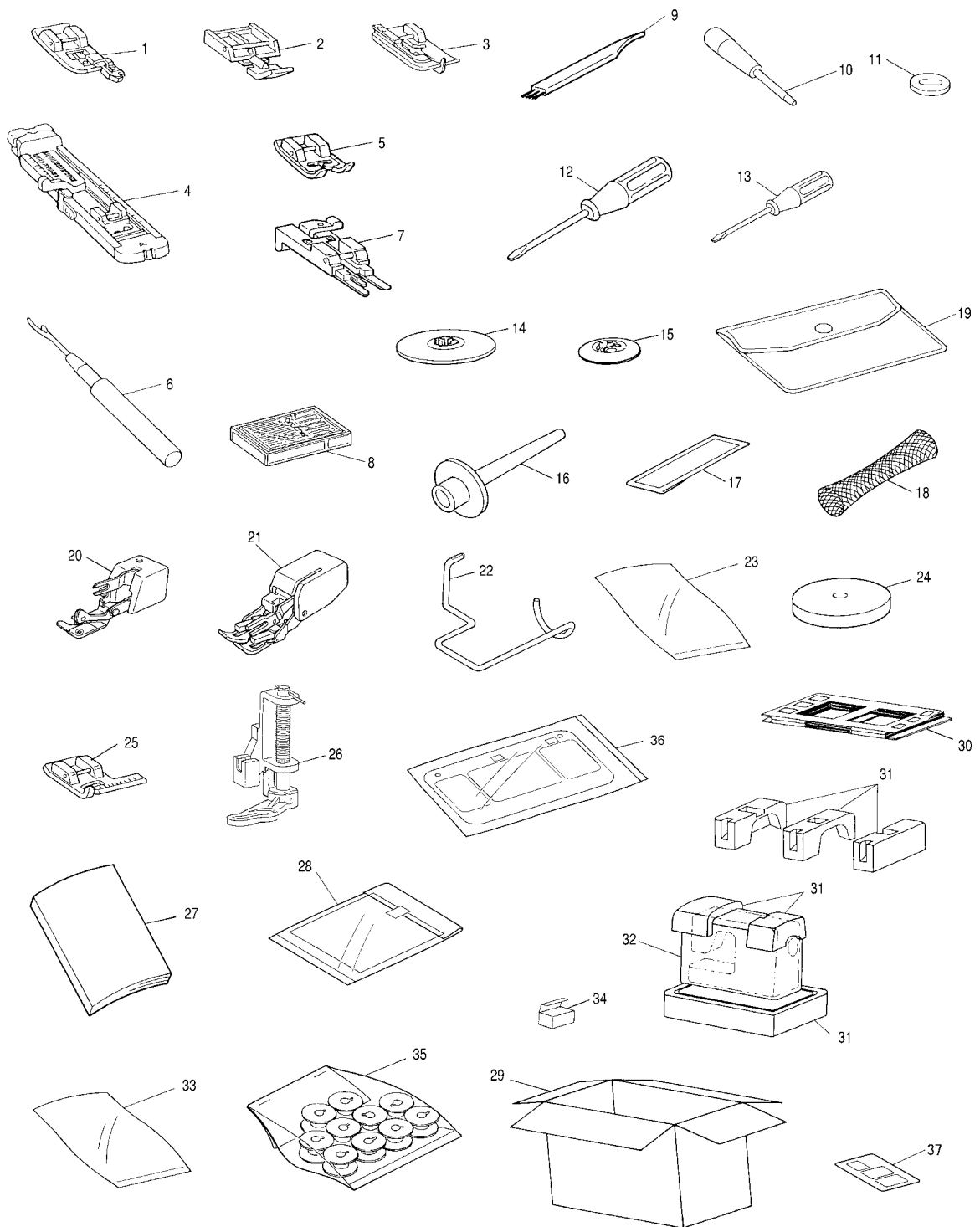






## (6) ACCESSORY

| No. | CODE      | NAME                                 | REMARKS | No. | CODE      | NAME                             | REMARKS |
|-----|-----------|--------------------------------------|---------|-----|-----------|----------------------------------|---------|
| 1   | X51162001 | Overcasting foot "G"                 |         | 37  | XA5933051 | Panel keyboard seal (for Canada) |         |
| 2   | X59370051 | Zipper foot "I"                      |         |     |           |                                  |         |
| 3   | X56409001 | Blind stitch foot "R"                |         |     |           |                                  |         |
| 4   | X57789101 | Buttonhole foot "A"                  |         |     |           |                                  |         |
| 5   | 137988101 | Monogramming foot "N"                |         |     |           |                                  |         |
| 6   | X54243001 | Seam ripper                          |         |     |           |                                  |         |
| 7   | 130489001 | Button fitting foot "M"              |         |     |           |                                  |         |
| 8   | X58358001 | Needle set                           |         |     |           |                                  |         |
| 9   | X59476051 | Cleaning brush                       |         |     |           |                                  |         |
| 10  | 135793001 | Eyelet punch                         |         |     |           |                                  |         |
| 11  | XA2005051 | Disc-shaped screwdriver              |         |     |           |                                  |         |
| 12  | X55467051 | Screwdriver (Large)                  |         |     |           |                                  |         |
| 13  | X55468051 | Screwdriver (Small)                  |         |     |           |                                  |         |
| 14  | 130012053 | Spool cap (Large)                    |         |     |           |                                  |         |
| 15  | 130013053 | Spool cap (Small)                    |         |     |           |                                  |         |
| 16  | XA3336051 | Extra spool pin                      |         |     |           |                                  |         |
| 17  | X59296001 | Twin needle set                      |         |     |           |                                  |         |
| 18  | XA5523050 | Net                                  |         |     |           |                                  |         |
| 19  | XA1363051 | Accessory bag                        |         |     |           |                                  |         |
| 20  | X81028001 | Side cutter                          |         |     |           |                                  |         |
| 21  | X81065001 | Walking foot                         |         |     |           |                                  |         |
| 22  | XA3412001 | Finger guard                         |         |     |           |                                  |         |
| 23  | XA0188050 | Bag, 240 × 355H                      |         |     |           |                                  |         |
| 24  | X57045051 | Spool felt                           |         |     |           |                                  |         |
| 25  | X51804001 | Stitch guide foot "P"                |         |     |           |                                  |         |
| 26  | XA4322001 | Quilting foot                        |         |     |           |                                  |         |
| 27  | 194955011 | Instruction manual (English)         |         |     |           |                                  |         |
|     | 194955012 | Instruction manual (French)          |         |     |           |                                  |         |
|     | 194955013 | Instruction manual (Dutch)           |         |     |           |                                  |         |
|     | 194955014 | Instruction manual (German)          |         |     |           |                                  |         |
|     | 194955015 | Instruction manual (Spanish)         |         |     |           |                                  |         |
|     | 194955016 | Instruction manual (Italian)         |         |     |           |                                  |         |
| 28  | XA5906051 | Pattern sticker ASSY                 |         |     |           |                                  |         |
| 29  | X61132051 | Carton for PC-3000                   |         |     |           |                                  |         |
|     | X61169051 | Carton for PC-3000 (for New Zealand) |         |     |           |                                  |         |
|     | X61133051 | Carton for Europe                    |         |     |           |                                  |         |
| 30  | X61138050 | Pad                                  |         |     |           |                                  |         |
| 31  | X61161050 | 955 SF ASSY                          |         |     |           |                                  |         |
| 32  | X60439150 | Bag, 630 × 630                       |         |     |           |                                  |         |
| 33  | 160670050 | Bag, 150 × 350                       |         |     |           |                                  |         |
| 34  | X61014050 | Carton, Accessory                    |         |     |           |                                  |         |
| 35  | XA3811051 | Bobbin (10 set), UPC                 |         |     |           |                                  |         |
|     | XA3812051 | Bobbin (10 set), EAN                 |         |     |           |                                  |         |
| 36  | XA5905051 | Pattern sheet ASSY                   |         |     |           |                                  |         |



PC-3000  
SUPER ACE II  
T8050111