

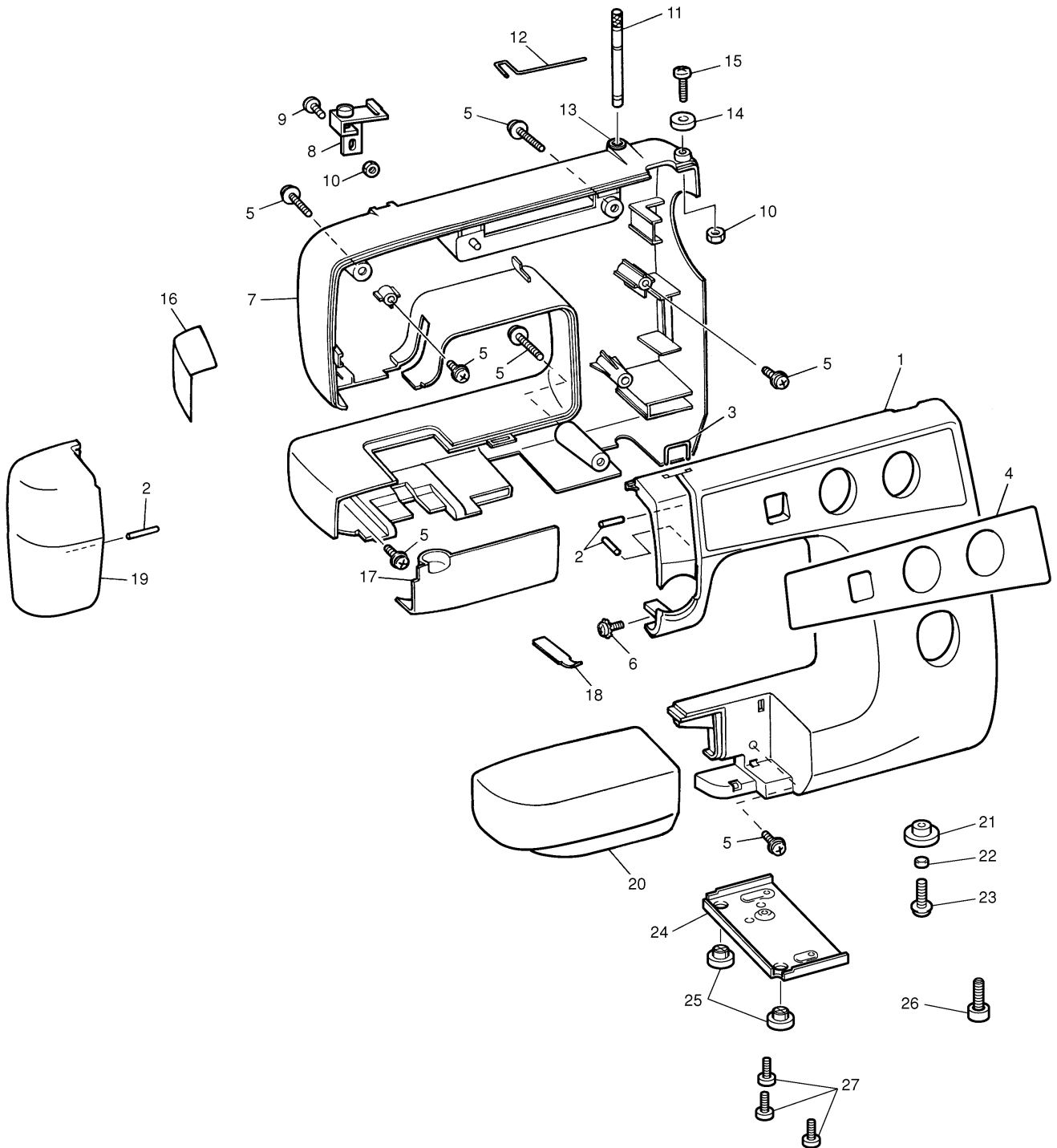
PARTS CATALOGUE FOR

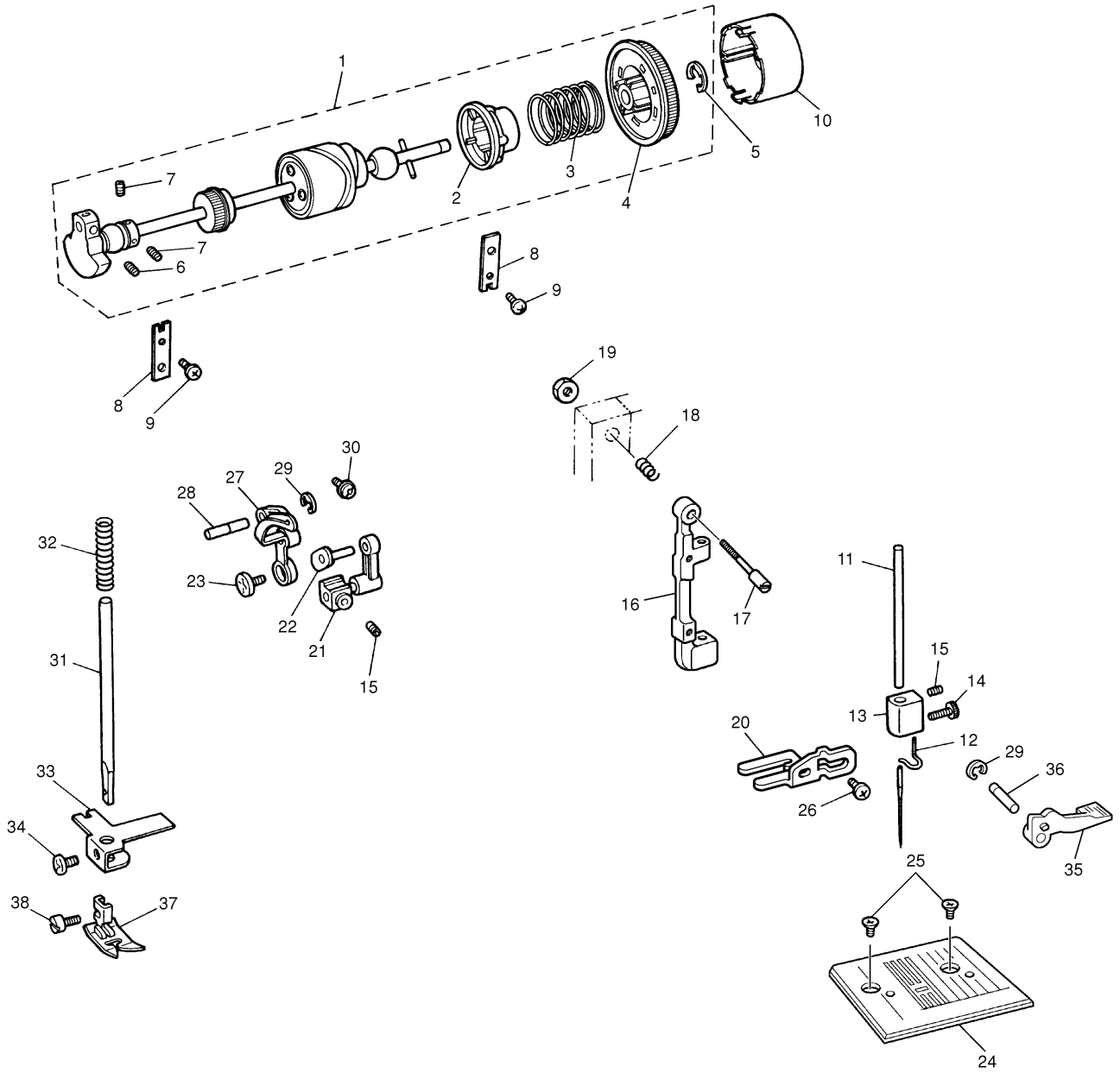
LS-1717

LS-1817

CONTENTS

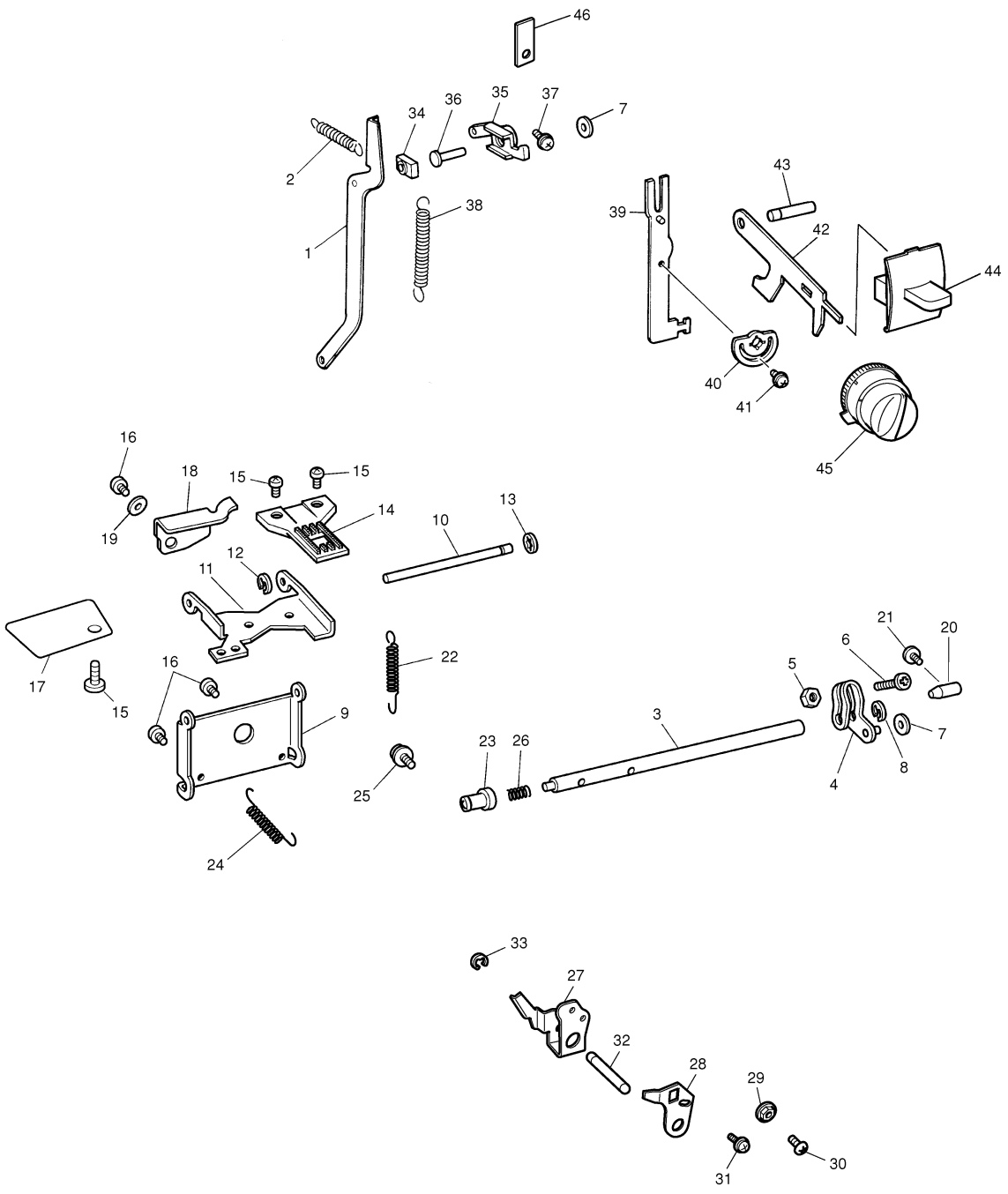
(1) PRINCIPAL PARTS	2
(2) UPPER SHAFT AND NEEDLE BAR.....	4
(3) FEED MECHANISM	6
(4) PATTERN SELECTION, SHUTTLE HOOK AND UPPER TENSION	8
(5) LAMP AND MOTOR.....	10
(6) OTHER PARTS.....	12





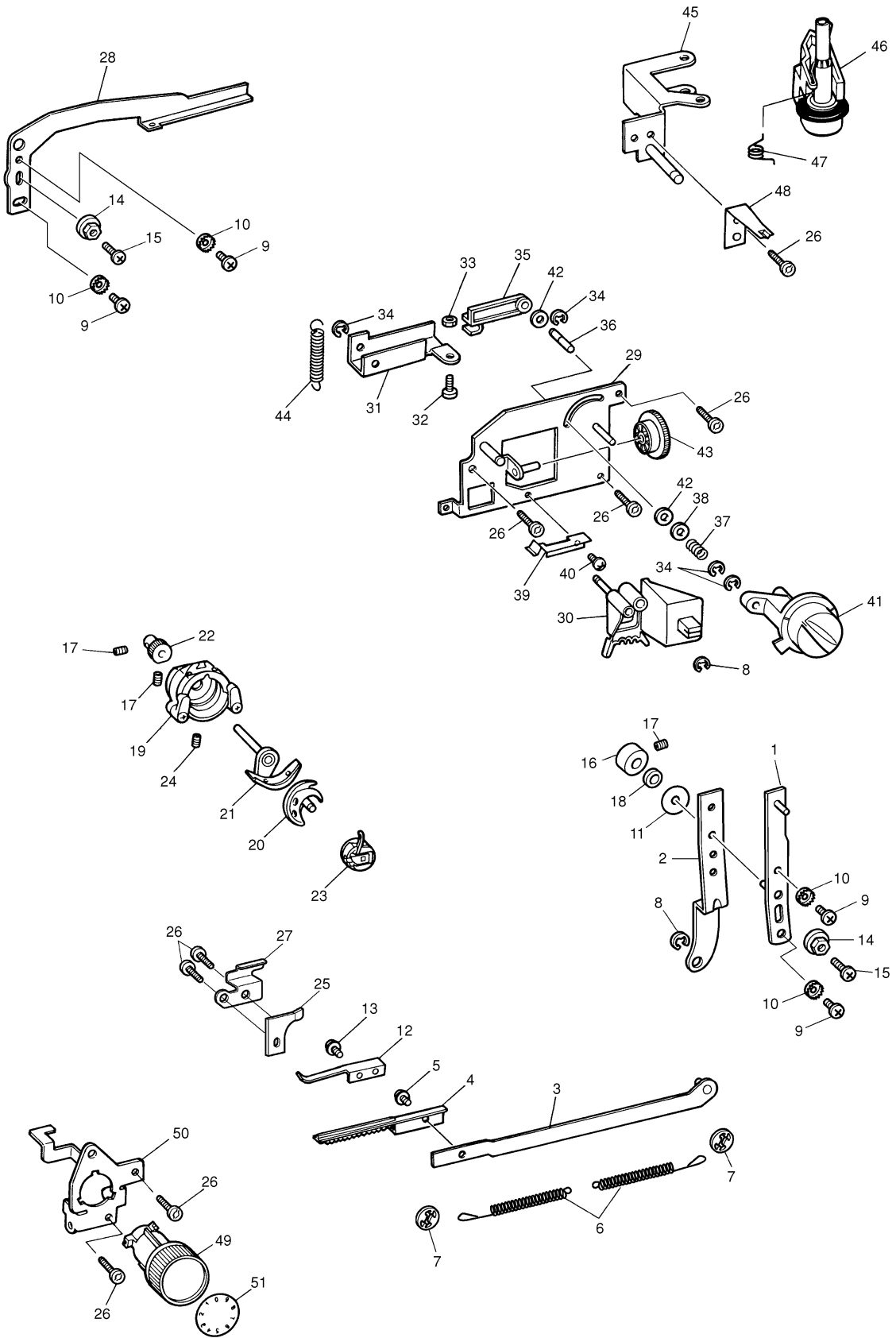
(3) FEED MECHANISM

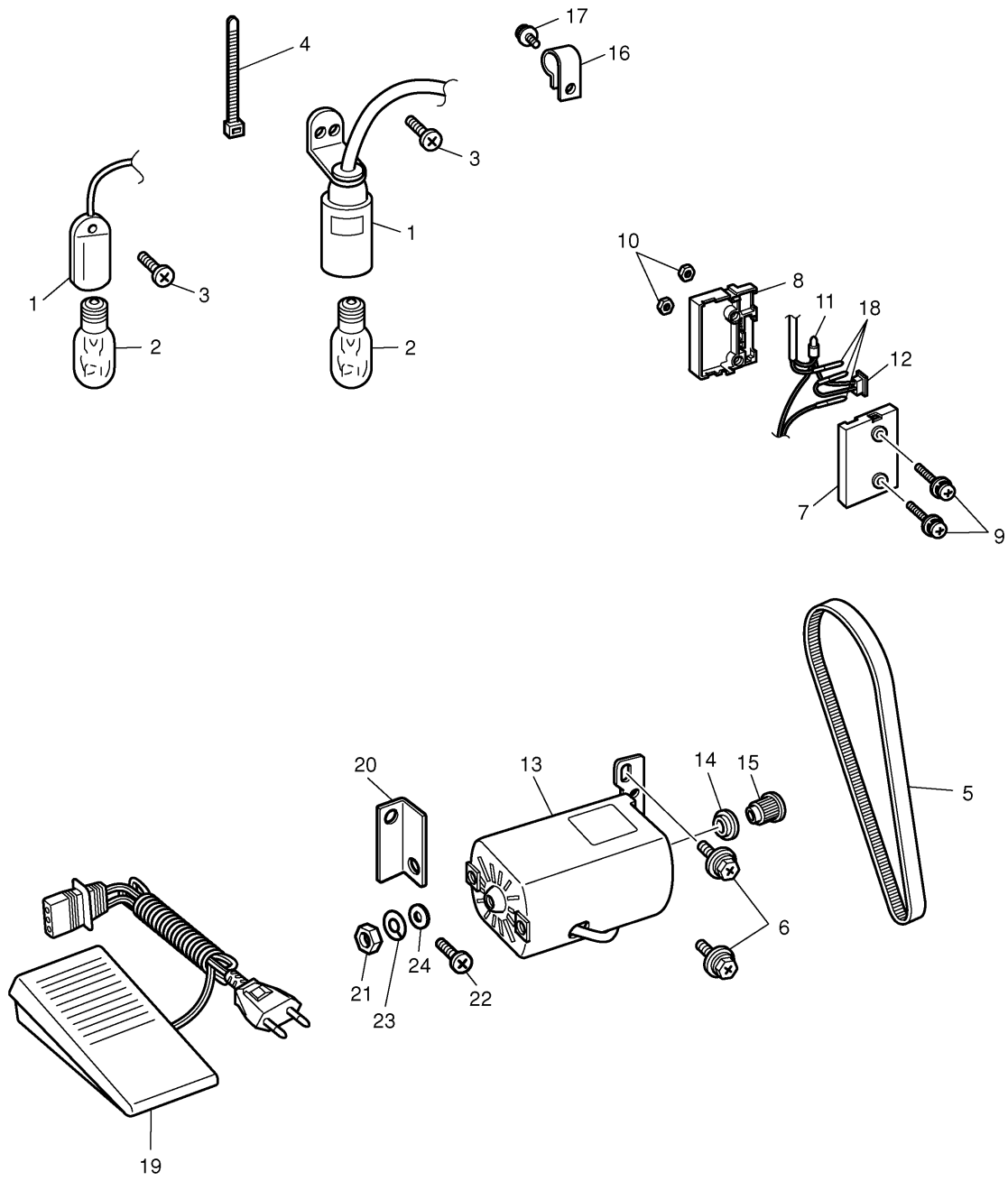
No.	CODE	PARTS NAME	REMARKS	No.	CODE	PARTS NAME	REMARKS
1	XA0978021	Feed connecting rod		45	XA9977021	Feed dial cam	
2	XA0980021	Spring		46	X50532051	Stop plate	
3	XA0982020	Horizontal feed shaft					
4	XA0983151	Horizontal feed shaft arm					
5	021400205	Nut					
6	060401416	Screw					
7	X53330050	Washer					
8	048050346	Stop ring					
9	XA0987021	Horizontal feed plate					
10	XA0988021	Feed stand shaft					
11	XA3960021	Feed stand					
12	048030346	Stop ring					
13	146200051	Stop ring					
14	XA4430051	Feed dog					
15	060300416	Screw					
16	060400816	Screw					
17	XA3474021	Dust protect plate					
18	XA4042120	Feed stand support					
19	025040133	Washer					
20	XA1082051	Taper point Stud R					
21	X57913051	Screw					
22	XA0991021	Spring					
23	X55472051	Taper point stud L assembly					
24	XA4692051	Spring					
25	XA0649051	Screw					
26	X56613021	Spring					
27	XA3480021	Vertical feed arm					
28	XA3481021	Vertical feed adjuster					
29	X50559050	Nut					
30	062300806	Screw					
31	060400516	Screw					
32	XA0995151	Vertical feed shaft					
33	048060346	Stop ring					
34	XA0030051	Slide block					
35	XA0996050	Feed regulator					
36	XA0997050	Feed regulator shaft					
37	X57908051	Screw					
38	XA4675051	Spring					
39	XA9167021	Feed regulator plate					
40	XA1002020	Reverse sewing regulator shaft					
41	052300606	Screw					
42	XA7989021	Reverse sewing lever plate					
43	XA1004150	Reverse sewing shaft					
44	XA9976021	Reverse sewing lever					

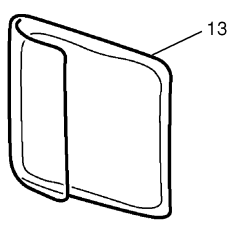
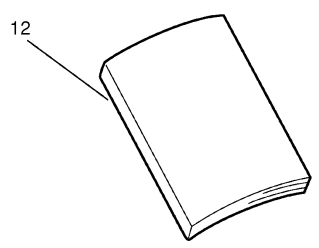
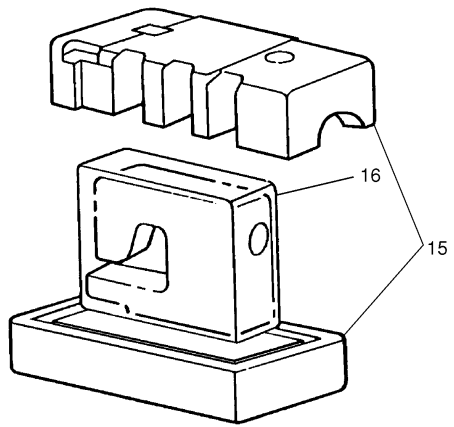
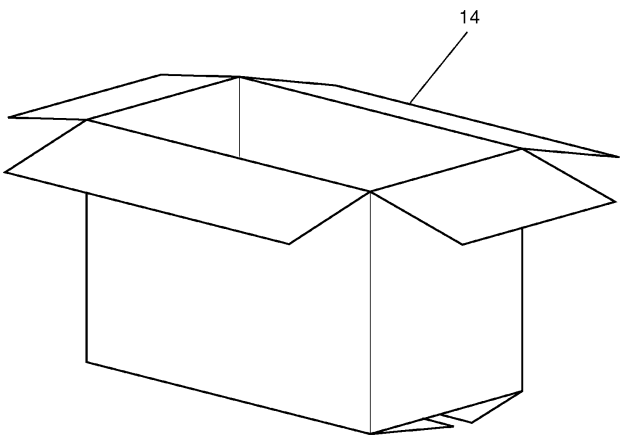
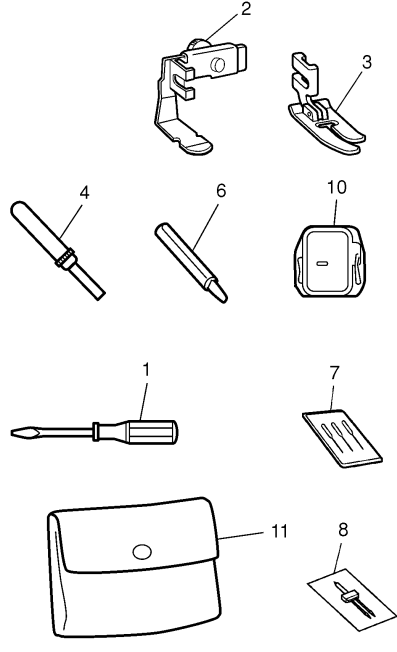
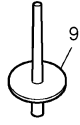
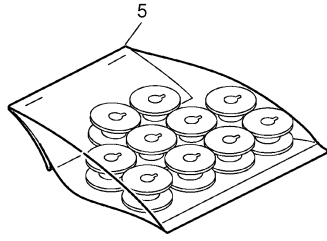


(4) PATTERN SELECTION, SHUTTLE HOOK AND UPPER TENSION

No.	CODE	PARTS NAME	REMARKS	No.	CODE	PARTS NAME	REMARKS
1	XA4693151	Cam drive connecting rod A assembly		43	XA7984021	Zigzag cam	
2	XA1012251	Cam drive connecting rod B		44	XA1044021	Zigzag connecting rod spring	
3	XA1014021	Cam drive connecting rod C assembly		45	XA7985021	Bobbin winder holder assembly	
4	XA1017120	Rack		46	XA1049021	Bobbin winder spindle assembly	
5	052300606	Screw		47	X59939021	Bobbin winder spring	
6	XA3439021	Spring		48	XA7988021	Stitch length knob spring	
7	146200051	Stop ring		49	XA1052051	Upper tension control dial	
8	048040346	Stop ring		50	XA4425021	Upper tension control holder assembly	
9	060400816	Screw		51	XA1255121	Upper tension control dial plate	
10	XA6909051	Toothed washer					
11	131976050	Thrust washer					
12	XA1019021	Rack plate spring					
13	X57884051	Screw					
14	X50559050	Nut					
15	062301006	Screw					
16	X52077151	Collar					
17	014400432	Screw					
18	X53330050	Washer					
19	XA1317051	Shuttle race assembly					
20	128581053	Shuttle hook					
21	XA1021051	Shuttle driver assembly					
22	XA1025051	Driver shaft gear					
23	128582053	Bobbin case assembly					
24	014400632	Screw					
25	X57313151	Rack stopper					
26	X57908051	Screw					
27	XA5702021	Rack stopper A					
28	XA7976021	Zigzag connecting rod					
29	XA7994021	Zigzag base assembly					
30	XA9978021	Needle position selector assembly					
31	XA1036021	Zigzag link					
32	X57953051	Screw					
33	X56960051	Nut					
34	048030346	Stop ring					
35	XA7980021	Zigzag adjuster connecting rod					
36	XA7981020	Connecting rod pin					
37	XA1040021	Spring					
38	025040133	Plain Washer					
39	XA7982021	Notched spring					
40	060300416	Screw					
41	XA9980021	Stitch width knob					
42	137999050	Washer					







LS-1717, LS-1817
T1010138
Printed in TAIWAN