

brother

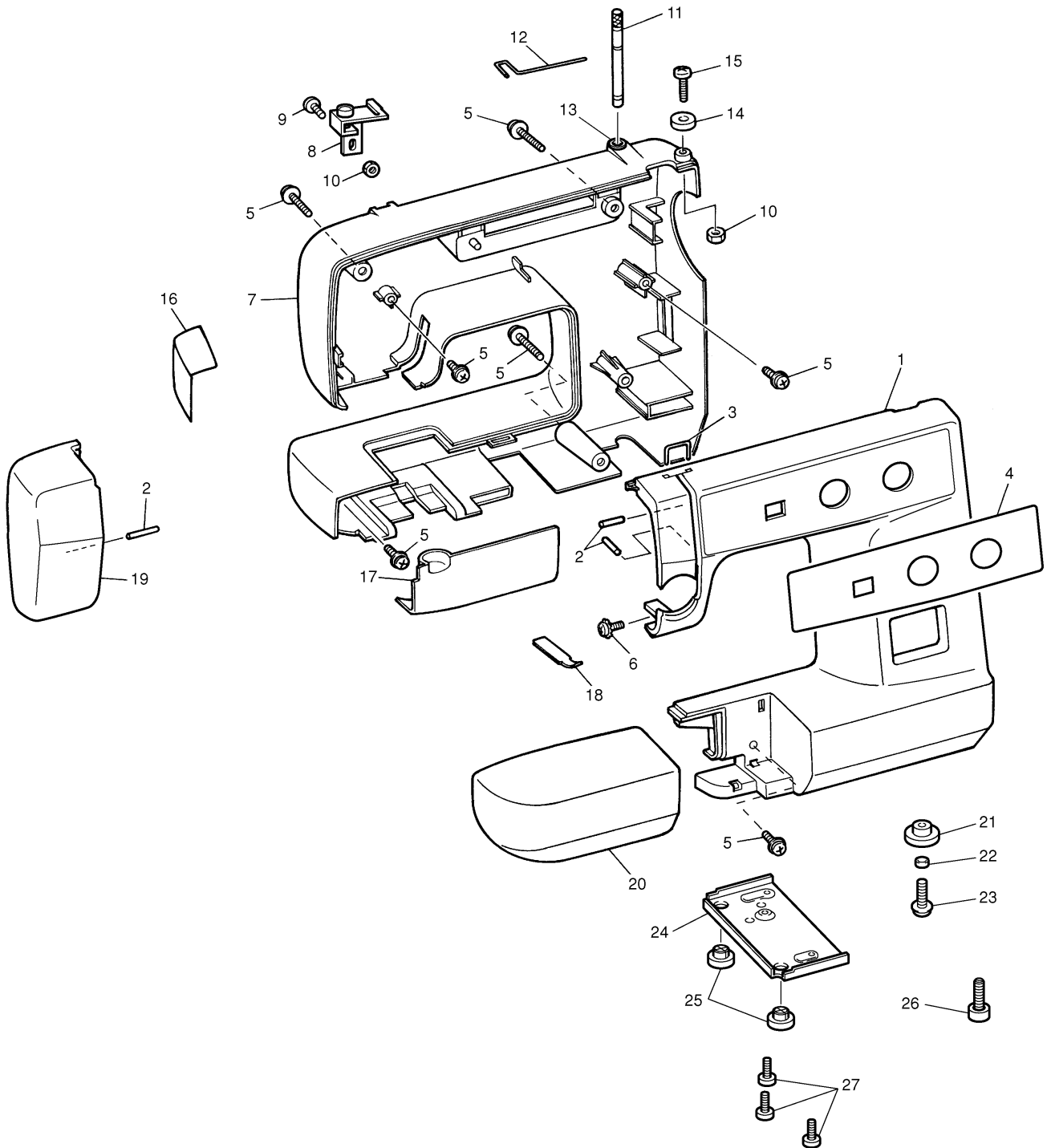
PARTS CATALOGUE FOR
LS-1217

CONTENTS

(1) PRINCIPAL PARTS	2
(2) UPPER SHAFT AND NEEDLE BAR.....	4
(3) FEED MECHANISM	6
(4) PATTERN SELECTION, SHUTTLE HOOK AND UPPER TENSION	8
(5) LAMP AND MOTOR.....	10
(6) OTHER PARTS.....	12

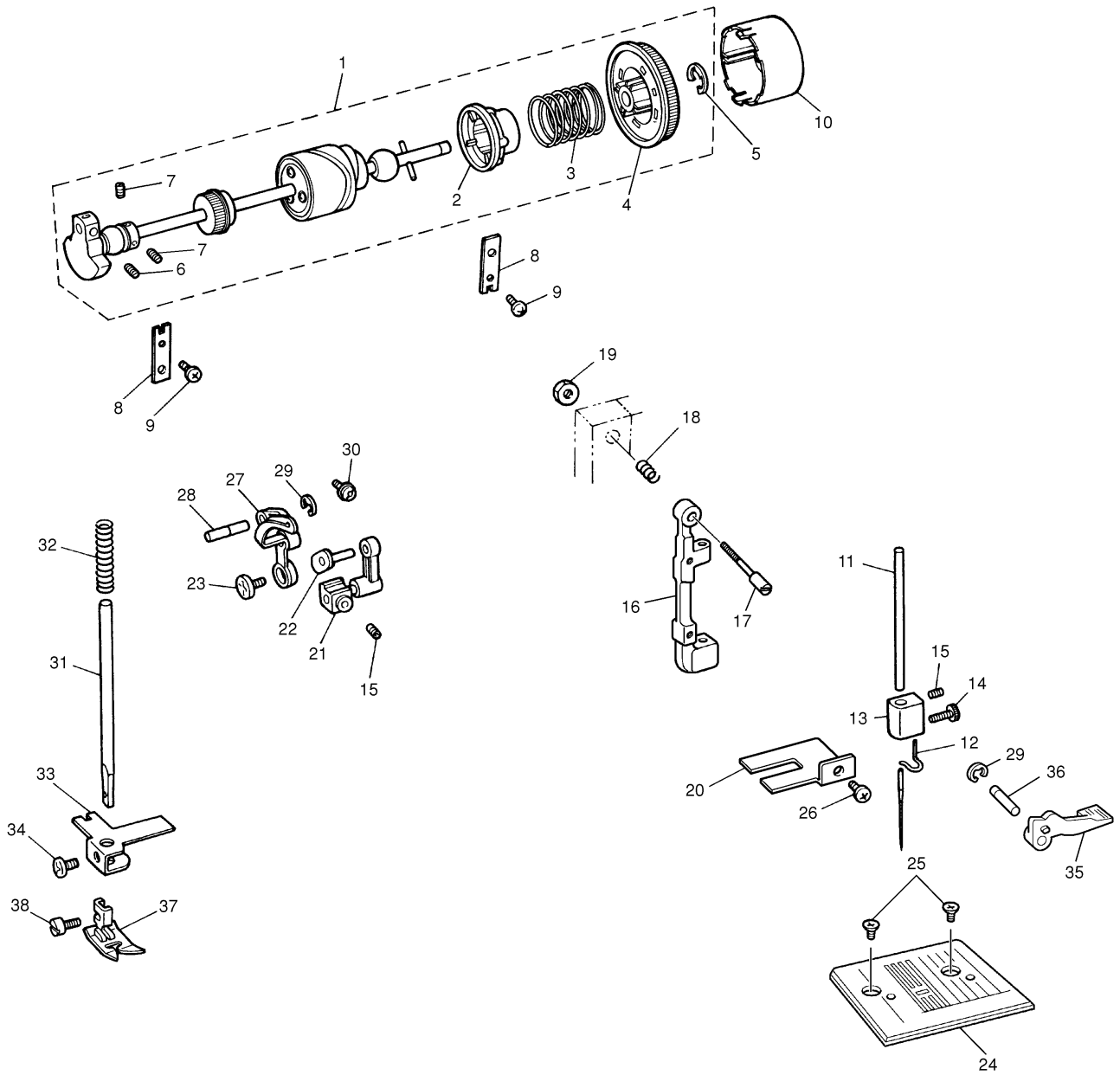
(1) PRINCIPAL PARTS

No.	CODE	PARTS NAME	REMARKS
1	XA7922021	Front cover	
2	OA0211850	Spring pin	
3	X53625121	Upper cover thread guide	
4	XA7923021	Decoration plate	
5	XA3337051	Screw	
6	053400806	Screw	
7	XA7925021	Rear cover	
8	XA6106051	Thread guide	
9	OA5301006	Screw	
10	021300106	Nut	
11	188058151	Spool pin	
12	XA0628021	Spool pin spring	
13	XA8851021	Spool pin stand	
14	X59864151	Bobbin presser	
15	052301606	Screw	
16	X57891051	Rear cover reflector	
17	XA7926021	Hinged door	
18	X53638151	Plate spring	
19	XA7928021	Face plate	
20	XA7929021	Accessory table	
21	X58361051	Rubber cushion	
22	X56474051	Collar	
23	X57297051	Screw	
24	XA7932021	Base plate	
25	XA1805051	Rubber cushion A	
26	XA4687051	Adjusting screw assembly	
27	060400816	Screw	



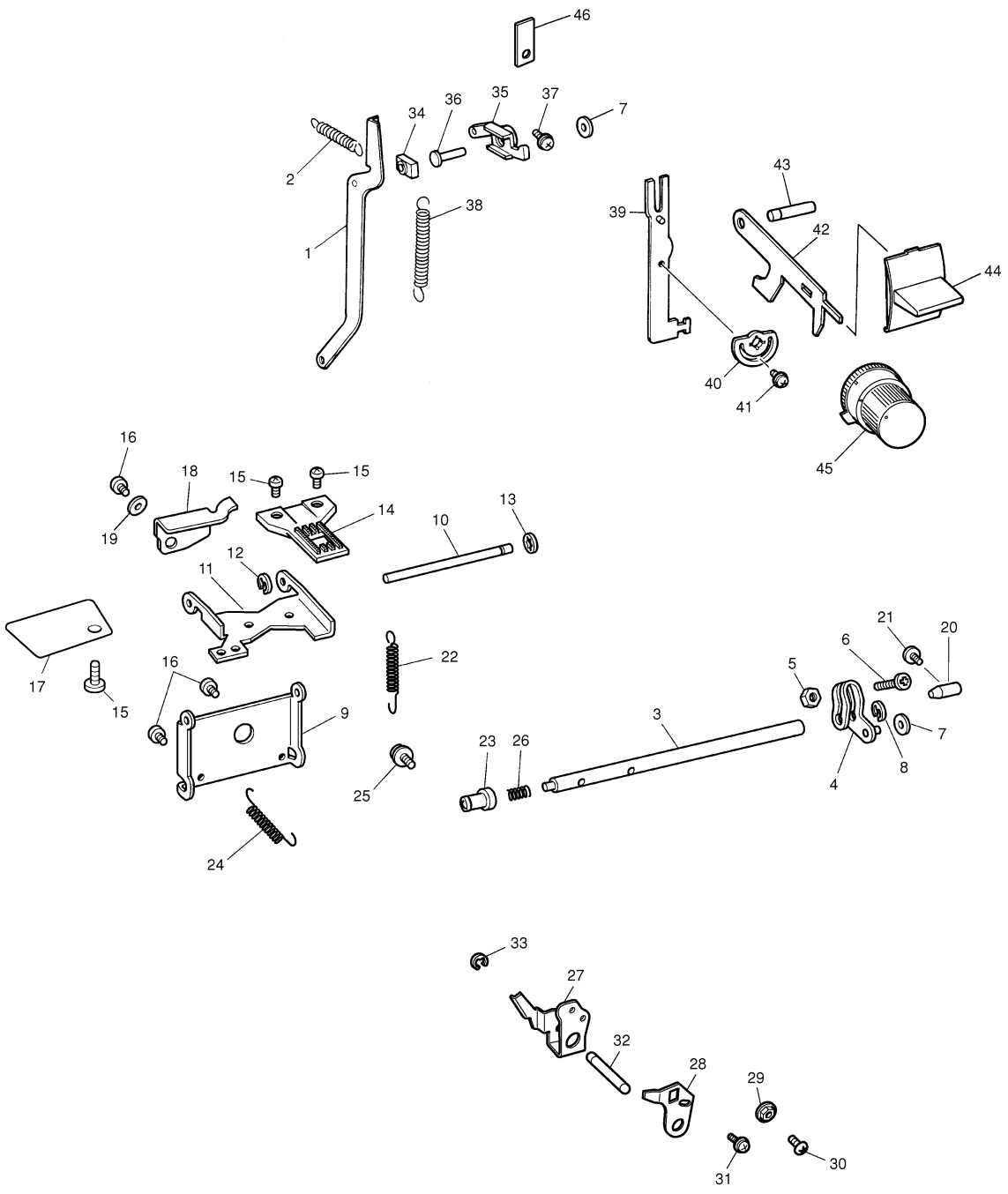
(2) UPPER SHAFT AND NEEDLE BAR

No.	CODE	PARTS NAME	REMARKS
1	XA0630521	Upper shaft assembly	
2	XA0637120	Clutch plate	
3	XA0636020	Clutch spring	
4	XA0638120	Timing wheel	
5	048080346	Stop ring	
6	X54013051	Screw	
7	014400432	Screw	
8	X52478051	Bushing presser	
9	X57908051	Screw	
10	XA0639021	Balance wheel	
11	XA2358121	Needle bar	
12	XA0642120	Needle bar thread guide	
13	XA0643151	Needle clamp	
14	XA0644051	Needle clamp screw	
15	012400432	Screw	
16	XA8983051	Needle bar supporter	
17	XA7942021	Needle bar supporter stud	
18	X54369021	Spring	
19	X56851051	Locknut	
20	XA3953051	Needle bar supporter guide	
21	XA1289051	Needle bar crank rod assembly	
22	XA1113051	Needle bar crank	
23	132051052	Screw	
24	XA3954051	Zigzag needle plate	
25	X50487051	Screw	
26	X57908051	Screw	
27	XA1112151	Thread take-up lever assembly	
28	XA0648150	Thread take-up lever stud	
29	048050346	Stop ring	
30	XA0649051	Screw	
31	128437050	Presser bar	
32	X55770051	Presser bar spring	
33	XA0975051	Presser bar guide bracket	
34	X52760051	Screw	
35	XA2511151	Presser foot lifter	
36	XA0977150	Presser foot lifter stud	
37	131046051	Zigzag presser foot assembly	
38	132730151	Presser foot screw	



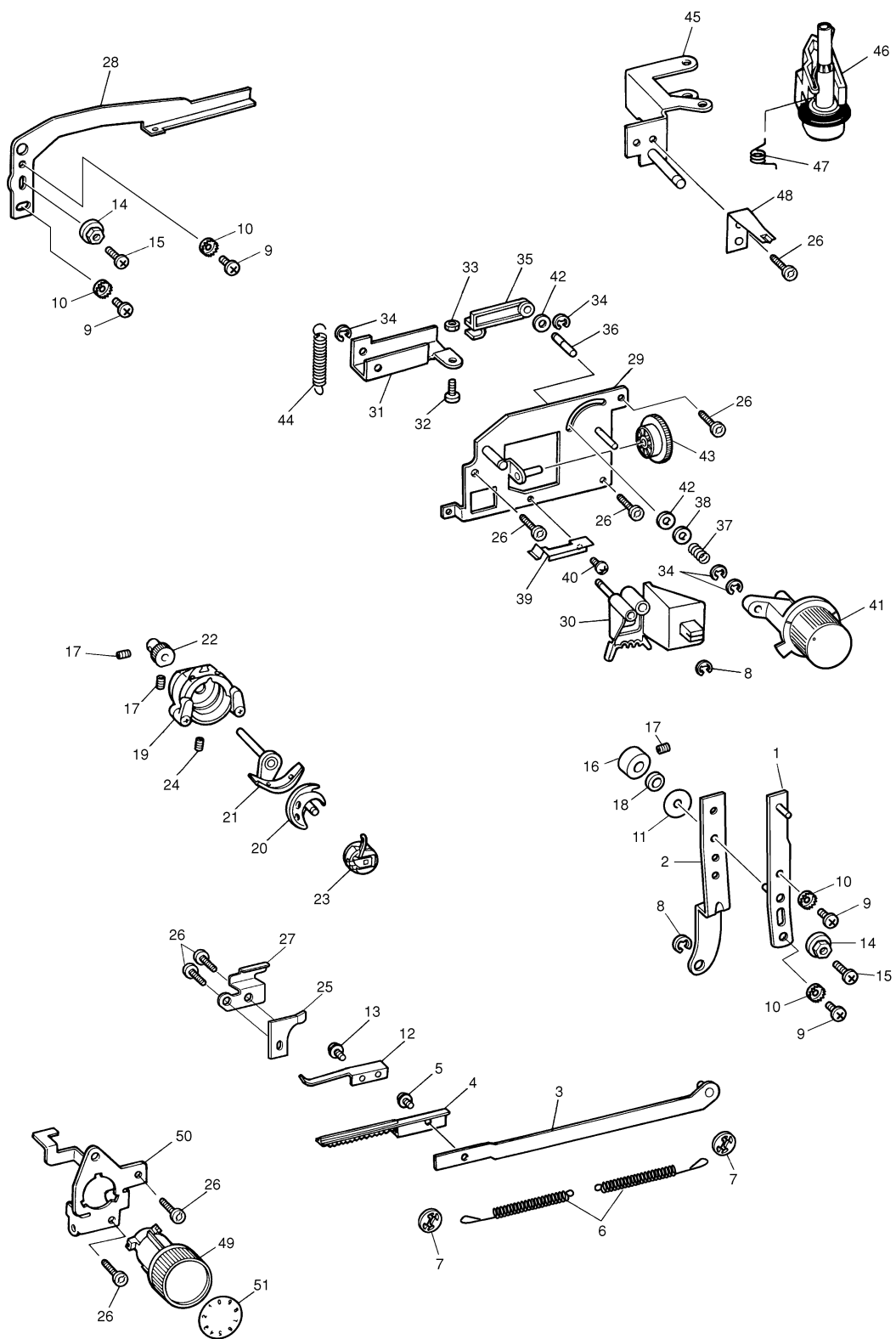
(3) FEED MECHANISM

No.	CODE	PARTS NAME	REMARKS	No.	CODE	PARTS NAME	REMARKS
1	XA0978051	Feed connecting rod		45	XA7961021	Feed dial cam	
2	XA0980021	Spring		46	X50532051	Stop plate	
3	XA0982020	Horizontal feed shaft					
4	XA0983151	Horizontal feed shaft arm					
5	021400205	Nut					
6	060401416	Screw					
7	X53330050	Washer					
8	048050346	Stop ring					
9	XA0987021	Horizontal feed plate					
10	XA0988021	Feed stand shaft					
11	XA3960021	Feed stand					
12	048030346	Stop ring					
13	146200051	Stop ring					
14	XA4430051	Feed dog					
15	060300416	Screw					
16	060400816	Screw					
17	XA3474021	Dust protect plate					
18	XA4042120	Feed stand support					
19	025040133	Washer					
20	XA1082051	Taper point Stud R					
21	X57913051	Screw					
22	XA0991021	Spring					
23	X55472051	Taper point stud L assembly					
24	XA4692051	Spring					
25	XA0649051	Screw					
26	X56613021	Spring					
27	XA3480021	Vertical feed arm					
28	XA3481021	Vertical feed adjuster					
29	X50559050	Nut					
30	062300806	Screw					
31	060400516	Screw					
32	XA0995151	Vertical feed shaft					
33	048060346	Stop ring					
34	XA0030051	Slide block					
35	XA0996050	Feed regulator					
36	XA0997050	Feed regulator shaft					
37	X57908051	Screw					
38	XA4675051	Spring					
39	XA9167021	Feed regulator plate					
40	XA1002050	Reverse sewing regulator shaft					
41	052300606	Screw					
42	XA7989021	Reverse sewing lever plate					
43	XA1004150	Reverse sewing shaft					
44	XA7960021	Reverse sewing lever					



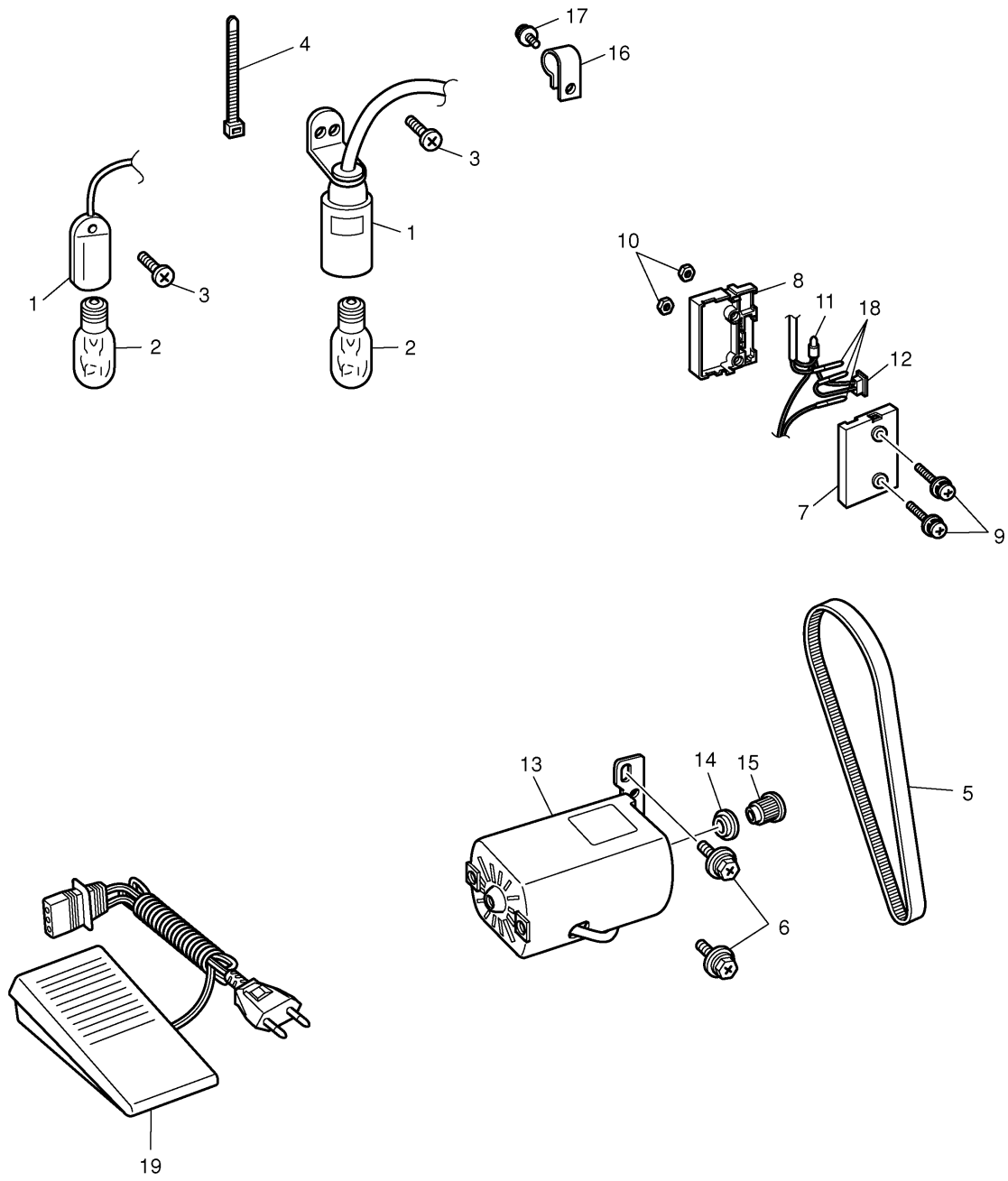
(4) PATTERN SELECTION, SHUTTLE HOOK AND UPPER TENSION

No.	CODE	PARTS NAME	REMARKS	No.	CODE	PARTS NAME	REMARKS
1	XA4693151	Cam drive connecting rod A assembly		43	XA7984021	Zigzag cam	
2	XA1012251	Cam drive connecting rod B		44	XA1044021	Zigzag connecting rod spring	
3	XA1014021	Cam drive connecting rod C assembly		45	XA7985021	Bobbin winder holder assembly	
4	XA1017120	Rack		46	XA1049021	Bobbin winder spindle assembly	
5	052300606	Screw		47	X59939021	Bobbin winder spring	
6	XA3439021	Spring		48	XA7988021	Stitch length knob spring	
7	146200051	Stop ring		49	XA1052051	Upper tension control dial	
8	048040346	Stop ring		50	XA1055021	Upper tension control holder assembly	
9	060400816	Screw		51	XA1255121	Upper tension control dial plate	
10	XA6909051	Toothed washer					
11	131976050	Thrust washer					
12	XA1019021	Rack plate spring					
13	X57884051	Screw					
14	X50559050	Nut					
15	062301006	Screw					
16	X52077151	Collar					
17	014400432	Screw					
18	X53330050	Washer					
19	XA1317051	Shuttle race assembly					
20	128581053	Shuttle hook					
21	XA1021051	Shuttle driver assembly					
22	XA1025051	Driver shaft gear					
23	128582053	Bobbin case assembly					
24	014400632	Screw					
25	X57313151	Rack stopper					
26	X57908051	Screw					
27	XA5702021	Rack stopper A					
28	XA7976021	Zigzag connecting rod					
29	XA7994021	Zigzag base assembly					
30	XA7978021	Needle position selector assembly					
31	XA1036021	Zigzag link					
32	X57953051	Screw					
33	X56960051	Nut					
34	048030346	Stop ring					
35	XA7980021	Zigzag adjuster connecting rod					
36	XA7981020	Connecting rod pin					
37	XA1040021	Spring					
38	025040133	Plain Washer					
39	XA7982021	Notched spring					
40	060300416	Screw					
41	XA7983021	Stitch width knob					
42	137999050	Washer					



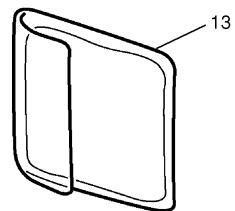
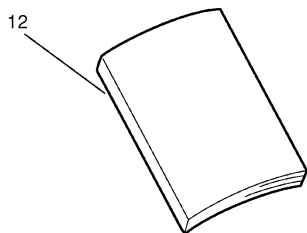
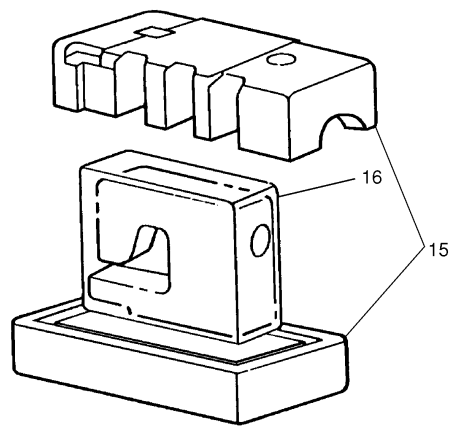
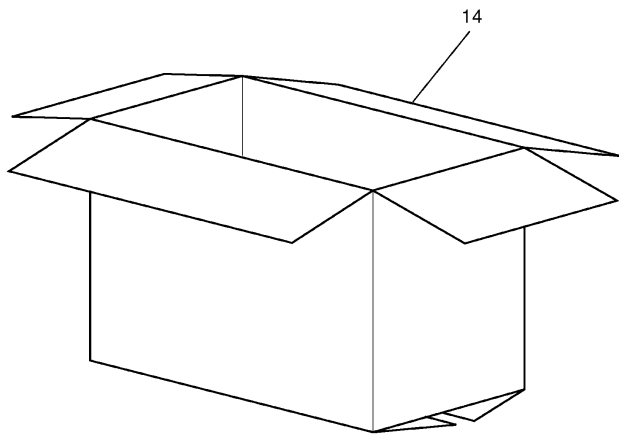
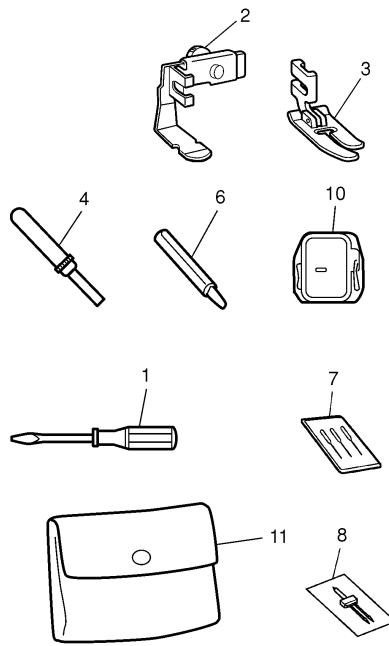
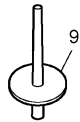
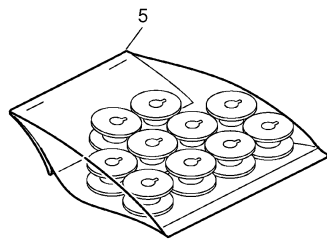
(5) LAMP AND MOTOR

No.	CODE	PARTS NAME	REMARKS
1	XC0483021	Sew-light assembly (100-120V)	CHG
	XA1064021	Sew-light assembly (220-240V)	
2	X53061020	Sew-light bulb (100-120V)	
	205336020	Sew-light bulb (220-240V)	
3	X57984051	Screw (100-120V)	
	XA1623051	Screw (220-240V)	
4	X53169050	Band (220-240V)	
5	XA1196051	Timing belt	
6	XA3004051	Screw	
7	XA8786021	3P socket body	
8	XA8787021	3P socket cover	
9	052403006	Screw	
10	021400205	Nut	
11	214808050	Connector	
12	XA1070021	PW switch assembly (100-120V)	
	XA1073021	PW switch assembly (220-240V)	
13	XA1071251	Motor (120V)	
	XA1429151	Motor (220V)	
	XA1430151	Motor (230V)	
14	XA1265120	Timing belt pulley A	
15	XA1266120	Timing belt pulley B	
16	XA7678051	Cord cramp	
17	XA8290051	Screw	
18	138598051	Socket pin	
19	X57319051	Foot controller (120V)	
	XA6422021	Foot controller (220-240V)	
	XA6412021	Foot controller (U.K.)	ADD



(6) OTHER PARTS

No.	CODE	NAME	REMARKS
1	X55467051	Screw driver (M)	
	X55468051	Screw driver (S)	
2	128585051	Zipper foot	
3	125469251	Straight foot	
4	X54243001	Seam ripper	
5	XA5537051	Bobbin (with UPC)	
	XA5537052	Bobbin (without UPC)	
6	X55465051	Oiler	
7	129583001	Needle set	
8	131096001	Needle set T	
9	130920051	Extra spool pin	
10	XA3442151	Feed dog cover	
11	XA1363021	Accessory bag	
12	194402011	Instruction manual	
13	XA2112021	Cover	
14	X60360029	Carton (LS-1217: Color, U.S.A.)	
	X61211044	Carton (Europe)	ADD
15	X61390020	Styrofoam	
16	X60439120	Bag 630 × 630	



LS-1217
T0050127