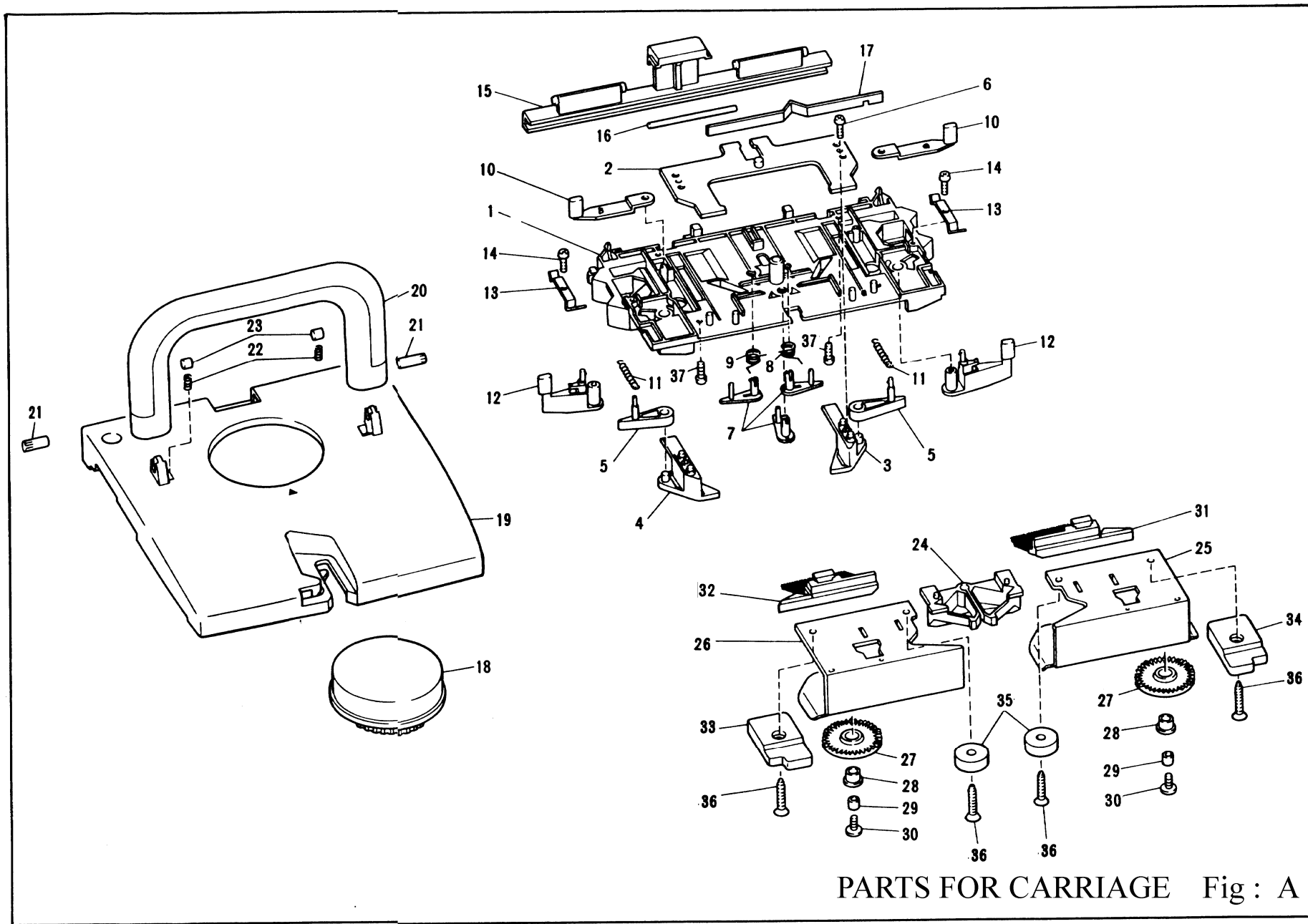


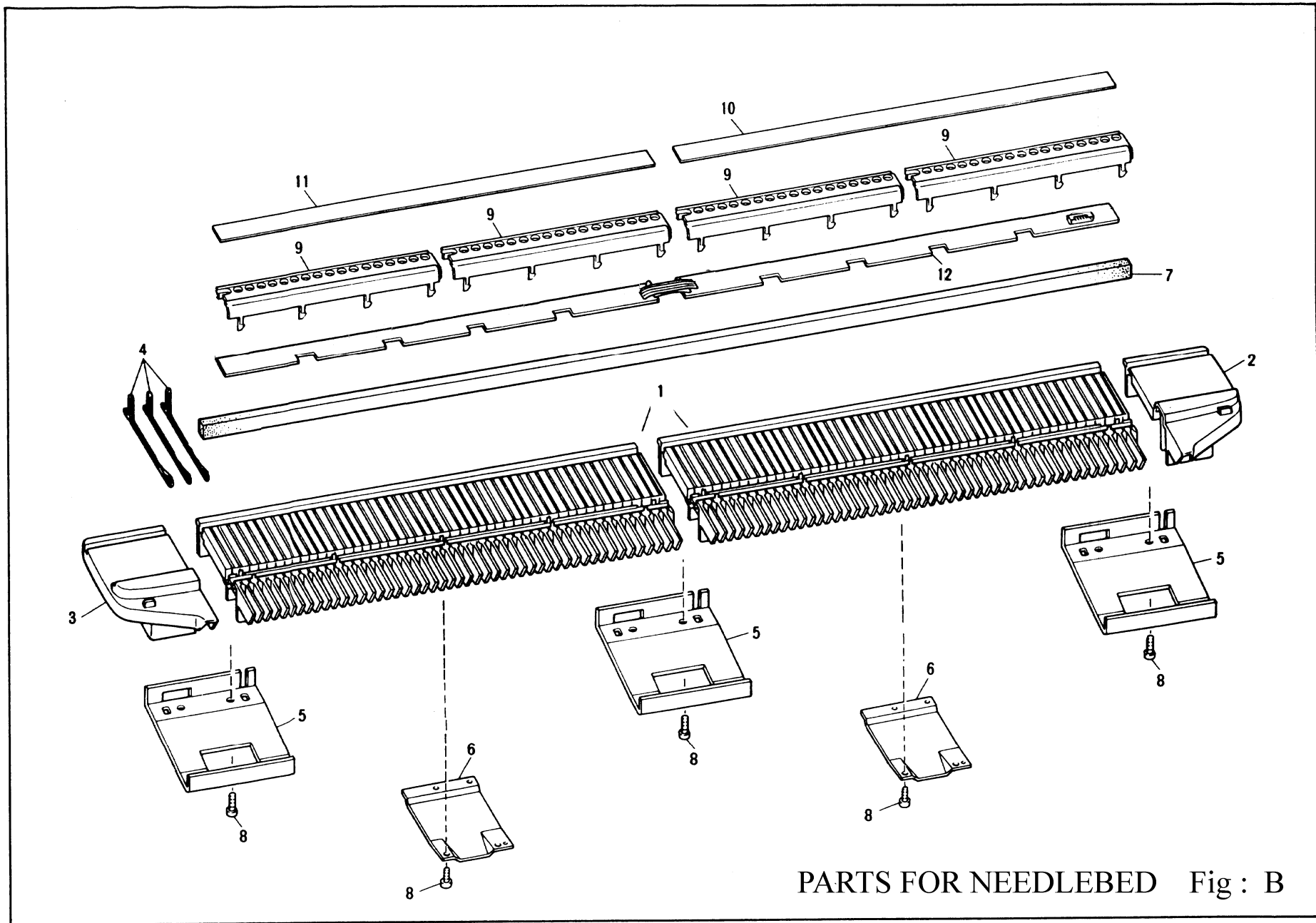
***PARTS CATALOGUE FOR KX-355 KNITTING MACHINE***



PARTS FOR CARRIAGE Fig: A

## PARTS FOR CARRIAGE

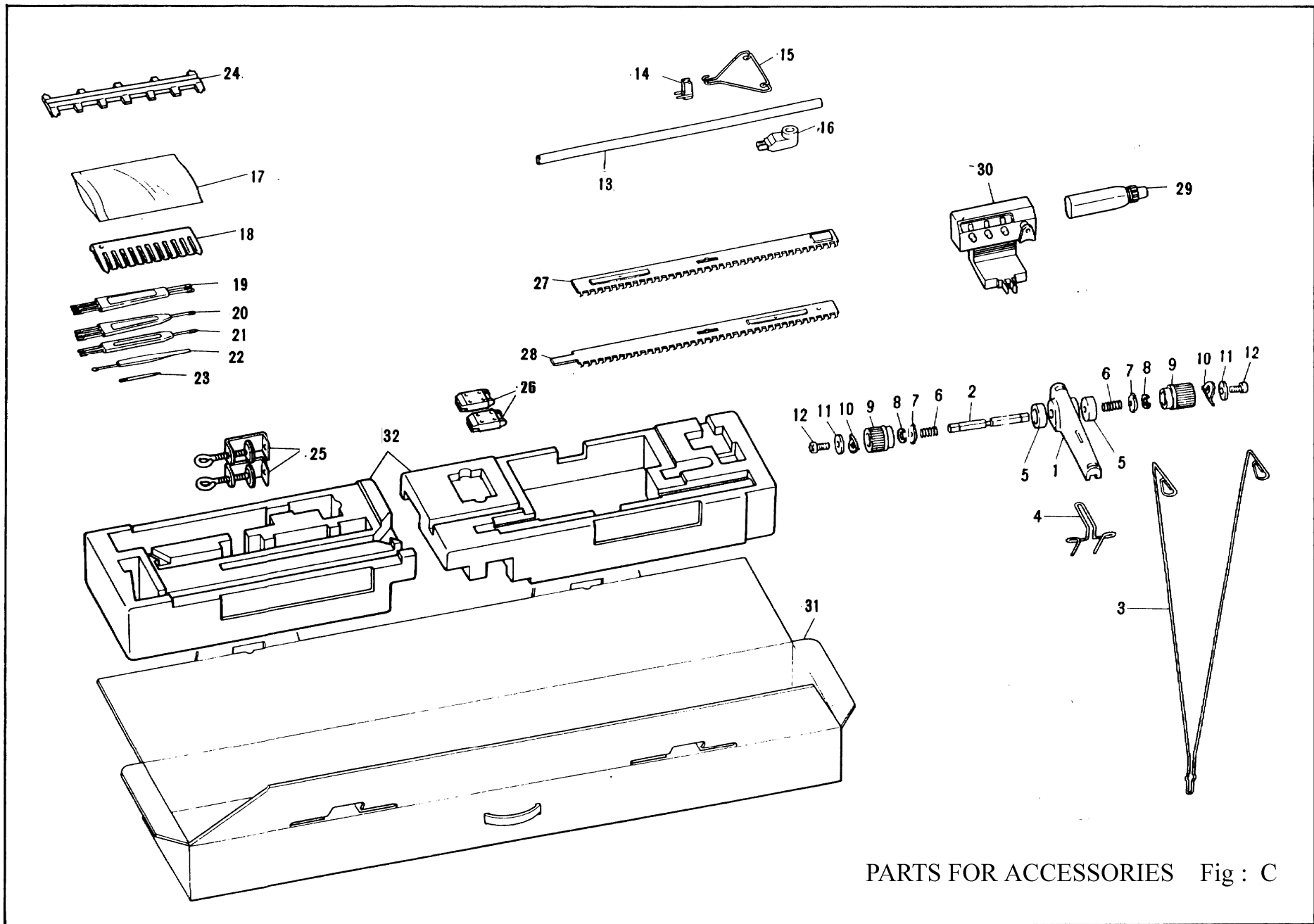
| Ref.No. | Part No.  | Description                      | Revised | Q? fty |  |  |  |  |  |
|---------|-----------|----------------------------------|---------|--------|--|--|--|--|--|
| A-1     | 417930001 | Carriage base plate              |         | 1      |  |  |  |  |  |
| A-2     | 415442001 | Stitch cam guide plate assembly  |         | 1      |  |  |  |  |  |
| A-3     | 415445000 | Stitch cam, R                    |         | 1      |  |  |  |  |  |
| A-4     | 415446000 | Stitch cam, L                    |         | 1      |  |  |  |  |  |
| A-5     | 415447000 | Raising cam                      |         | 2      |  |  |  |  |  |
| A-6     | U50467001 | + Screw binding 3 x 10           |         | 2      |  |  |  |  |  |
| A-7     | 415448000 | Valve cam                        |         | 3      |  |  |  |  |  |
| A-8     | 415563001 | Valve cam spring, R              |         | 1      |  |  |  |  |  |
| A-9     | 415564001 | Valve cam spring, L              |         | 1      |  |  |  |  |  |
| A-10    | 415449004 | Raising cam lever                |         | 2      |  |  |  |  |  |
| A-11    | 415450001 | Raising cam spring               |         | 2      |  |  |  |  |  |
| A-12    | 415451004 | Holding cam                      |         | 2      |  |  |  |  |  |
| A-13    | 417932001 | Holding cam switch spring •      |         | 2      |  |  |  |  |  |
| A-14    | U50467001 | + Screw binding 3 x 10           |         | 2      |  |  |  |  |  |
| A-15    | 415559101 | Rear foot                        |         | 1      |  |  |  |  |  |
| A-16    | 415560001 | Rear foot spring                 |         | 1      |  |  |  |  |  |
| A-17    | 487206001 | Spring for stitch dial           |         | 1      |  |  |  |  |  |
| A-18    | 417933001 | Stitch dial 7                    |         | 1      |  |  |  |  |  |
| A-19-36 | 419200001 | Carriage cover assembly 7E       |         | 1      |  |  |  |  |  |
| A-19    | 419201001 | Carriage cover 7E                |         | 1      |  |  |  |  |  |
| A-20    | 411553003 | Carriage handle                  |         | 1      |  |  |  |  |  |
| A-21    | 411556001 | Stud for carriage handle         |         | 2      |  |  |  |  |  |
| A-22    | 411557001 | Handle lock spring               |         | 2      |  |  |  |  |  |
| A-23    | 411558001 | Roller for carriage handle       |         | 2      |  |  |  |  |  |
| A-24    | 415455001 | Yarn feeder                      |         | 1      |  |  |  |  |  |
| A-25    | 415456001 | Sinker plate, R                  |         | 1      |  |  |  |  |  |
| A-26    | 415457001 | Sinker plate, L                  |         | 1      |  |  |  |  |  |
| A-27    | 413403001 | Rubber wheel 35                  |         | 2      |  |  |  |  |  |
| A-28    | 410970001 | Holder                           |         | 2      |  |  |  |  |  |
| A-29    | 415458001 | Collar                           |         | 2      |  |  |  |  |  |
| A-30    | 409710001 | + - Screw with washer            |         | 2      |  |  |  |  |  |
| A-31    | 415459001 | Latch opening brush, R           |         | 1      |  |  |  |  |  |
| A-32    | 415460001 | Latch opening brush, L           |         | 1      |  |  |  |  |  |
| A-33    | 413409001 | Magnet, right                    |         | 1      |  |  |  |  |  |
| A-34    | 413410000 | Magnet, left                     |         | 1      |  |  |  |  |  |
| A-35    | 418718000 | 16 round x 8 magnet              |         | 2      |  |  |  |  |  |
| A-36    | 040312050 | Flat head tapping screw 1-3 x 20 |         | 4      |  |  |  |  |  |
| A-37    | U50467001 | + Screw binding 3 x 10           |         | 4      |  |  |  |  |  |



PARTS FOR NEEDLEBED Fig : B

## PARTS FOR NEEDLE BED

| Ref.No. | Parts No. | Description                   | Revised | Q'ty |  |  |  |  |  |
|---------|-----------|-------------------------------|---------|------|--|--|--|--|--|
| B-1     | 417939001 | Needle bed 7P                 |         | 2    |  |  |  |  |  |
| B-2     | 417940001 | Side plate, R                 |         | 1    |  |  |  |  |  |
| B-3     | 417941001 | Side plate, L                 |         | 1    |  |  |  |  |  |
| B-4     | 415468001 | Plain needle 7P               |         | 128  |  |  |  |  |  |
| B-5     | 417942000 | Jointing plate for needle bed |         | 3    |  |  |  |  |  |
| B-6     | 415521001 | Setting plate                 |         | 2    |  |  |  |  |  |
| B-7     | 417943001 | Needle presser 7P             |         | 1    |  |  |  |  |  |
| B-8     | U50467001 | + Screw binding 3 x 10        |         | 18   |  |  |  |  |  |
| B-9     | 417936001 | Indicator cover               |         | 4    |  |  |  |  |  |
| B-10    | 417937001 | Needle number indicator, R    |         | 1    |  |  |  |  |  |
| B-11    | 417938001 | Needle number indicator, L    |         | 1    |  |  |  |  |  |
| B-12    | 419203001 | Needle presser plate          |         | 2    |  |  |  |  |  |



PARTS FOR ACCESSORIES Fig: C

## PARTS FOR ACCESSORIES

| Ref.No. | Parts No. | Description                        | Revised | Q'ty | Ref.No. | Parts No. | Description                 | Revised | Q'ty |
|---------|-----------|------------------------------------|---------|------|---------|-----------|-----------------------------|---------|------|
| C-1-15  | 415480002 | Yarn tension unit assembly         |         | 1    |         | 491350011 | Instruction manual, English |         | 1    |
| C-1-12  | 415481002 | Yarn tension head unit assembly    |         | 1    |         | 491350014 | Instruction manual, German  |         | 1    |
| C-1     | 415482002 | Yarn tension unit head body        |         | 1    |         | 491350074 | Supplementary sheet, G      |         | 1    |
| C-2     | 415483001 | Shaft                              |         | 1    |         |           |                             |         |      |
| C-3     | 415484001 | Take-up spring                     |         | 1    |         |           |                             |         |      |
| C-4     | 415485000 | Front yarn guide                   |         | 1    |         |           |                             |         |      |
| C-5     | 406242001 | Tension disc B                     |         | 2    |         |           |                             |         |      |
| C-6     | 413499001 | Tension spring                     |         | 2    |         |           |                             |         |      |
| C-7     | 403613001 | Tension spring presser             |         | 2    |         |           |                             |         |      |
| C-8     | 048040346 | Snap ring E4                       |         | 2    |         |           |                             |         |      |
| C-9     | 404511007 | Tension control knob               |         | 2    |         |           |                             |         |      |
| C-10    | 403628001 | Spring washer                      |         | 2    |         |           |                             |         |      |
| C-11    | 403583001 | Tension indicator                  |         | 2    |         |           |                             |         |      |
| C-12    | 062300506 | Screw 3 x 5                        |         | 2    |         |           |                             |         |      |
| C-13-15 | 415486002 | Yarn tension rod assembly          |         | 1    |         |           |                             |         |      |
| C-13    | 415487002 | Yarn tension rod                   |         | 1    |         |           |                             |         |      |
| C-14    | 415488002 | Rear yarn guide holder             |         | 1    |         |           |                             |         |      |
| C-15    | 415489000 | Rear yarn guide                    |         | 1    |         |           |                             |         |      |
| C-16    | 415505002 | Yarn tension stand                 |         | 1    |         |           |                             |         |      |
| C-17-24 | 487958001 | Accessory kit                      |         | 1    |         |           |                             |         |      |
| C-17    | 122991002 | Accessory bag                      |         | 1    |         |           |                             |         |      |
| C-18    | 417964001 | 1/1 Needle pushter 7P              |         | 1    |         |           |                             |         |      |
| C-19    | 415500002 | 2 x 3 Transfer tool 7P             |         | 1    |         |           |                             |         |      |
| C-20    | 415499002 | 1 x 3 Transfer tool 7P             |         | 1    |         |           |                             |         |      |
| C-21    | 415498002 | 1 x 2 Transfer tool 7P             |         | 1    |         |           |                             |         |      |
| C-22    | 419171001 | Latch tool                         |         | 1    |         |           |                             |         |      |
| C-23    | 409211001 | Tapestry needle                    |         | 1    |         |           |                             |         |      |
| C-24    | 415562002 | 1/3 x 1/5 Needle pusher            |         | 1    |         |           |                             |         |      |
| C-25    | 407510001 | Table clamp                        |         | 2    |         |           |                             |         |      |
| C-26    | 404883006 | Claw weight                        |         | 2    |         |           |                             |         |      |
| C-27    | 418872001 | Cast-on comb 7P, R                 |         | 1    |         |           |                             |         |      |
| C-28    | 416241001 | Cast-on comb 7P, L                 |         | 1    |         |           |                             |         |      |
| C-29    | 415706001 | Silicon oil                        |         | 1    |         |           |                             |         |      |
| C-30    | 415490004 | Row counter                        |         | 1    |         |           |                             |         |      |
| C-31    | 462982001 | Carton box (w/o handle)            |         | 1    |         |           |                             |         |      |
| C-32    | 462851000 | Styrofoam box                      |         | 1    |         |           |                             |         |      |
|         | U64214001 | Carton handle                      |         | 1    |         |           |                             |         |      |
|         | U64215001 | reinforcement cardboard for handle |         | 1    |         |           |                             |         |      |

**BROTHER INDUSTRIES, LTD.**

**Printed in Japan**

**K9065105**

**The part No. is subject to change without notice.**